

Catalog Number:	Project Name:	Note:	Date:	Type:
-----------------	---------------	-------	-------	-------

DESCRIPTION

Portor's BLP1 series produce industry-leading performance with deep energy savings and continuous dimming. The compact, slick profile produces uniform and glare free lumen output.

Perfect application for retail stores, schools, offices, markets and restaurant.



CONSTRUCTION

Durable solid frame, prefabricated paint with matte white finished. Slim profile design. Integrated T-Bar mounting clips built in onto the fixture. Easy installation

ELECTRICAL

Luminaire is built with the highest quality driver that is Universal Voltage (120V-27V), uses long lasting, highly-efficient LED packages.

DRIVER

Driver is fixed on the back of the panel or side to prevent mis-handling during shipment.

OPTICAL SYSTEM

Back-lit optics produces uniform light output, diffuser lens reduces glare and improve overall energy efficiency.

DIMMING

Continuous dimming (0-10V) comes standard.

ENERGY SAVINGS

Over 50% energy savings than traditionally fluorescent fixtures, low heat productions requires less maintenance and operation cost.

LISTING

ETL Listed, FCC, RoHS, CE, DLC Premium Listed, With LM79 & LM80

WARRANTY

5 Years Limited Warranty, Rated for 50,000 hours (See Warranty documentation for details).

WATTAGE	DELIVERED LUMENS	EFFICACY
20W	2,500	121 lm/W
30W	3,750	121 lm/W
40W	5,043	121 lm/W

Based on 3500K, 80 CRI. Actual lumens may vary.

TECHNICAL SPECIFICATION

CCT	3500K/4000K/5000K
CRI	80+
DIMMABLE	0-10V dimming
BEAM ANGLE	120°
VOLTAGE	120V-277V
POWER FREQUENCY	50/60 Hz
POWER FACTOR	>0.98
THD	≤10.7%
WORKING TEMPERATURE	-4°F ~ 113°F
IP RATING	IP40, Suitable for damp locations
WARRANTY	5 year limited



ORDERING SAMPLE: - - - -

Series	Wattage	CCT	Accessories/Options	
PT-BLP1-22 LED Back-Lit Flat Panel with CCT and Wattage Selector Series	20W/30W/40W	3CCT	EM Battery	Other
	20W	35K (3500K)	EM1-15W	SMK-BLP1-22
	30W	40K (4000K)	EM1-30W	
	40W	50K (5000K)		

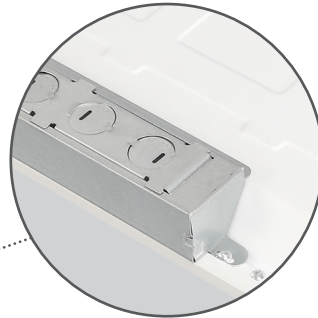
Catalog Number:	Project Name:	Note:	Date:	Type:
-----------------	---------------	-------	-------	-------



Front



Back

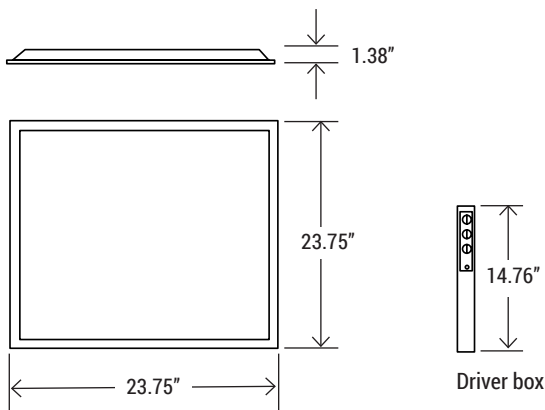


DRIVER

Driver is fixed on the back of the panel or side to prevent mis-handling during shipment.

Maintenance-free optical module sealed for life; no internal cleaning required.

DIMENSION



EM BATTERY OPTION



EM1-15W / EM1-30W
LED Emergency Driver

OTHER

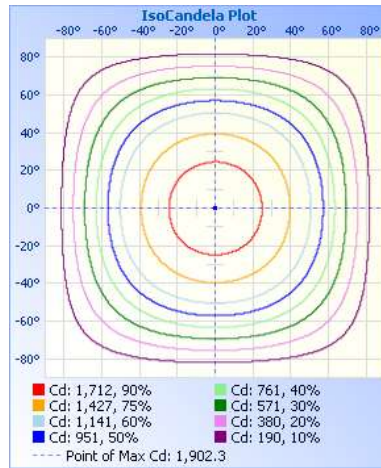
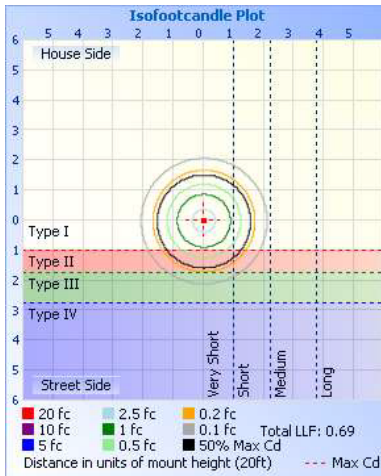
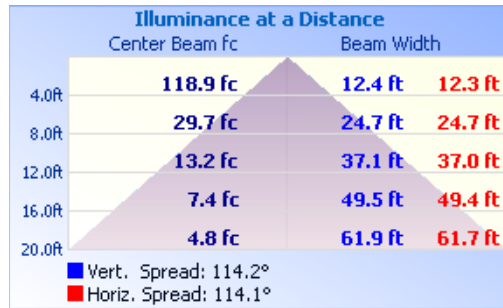
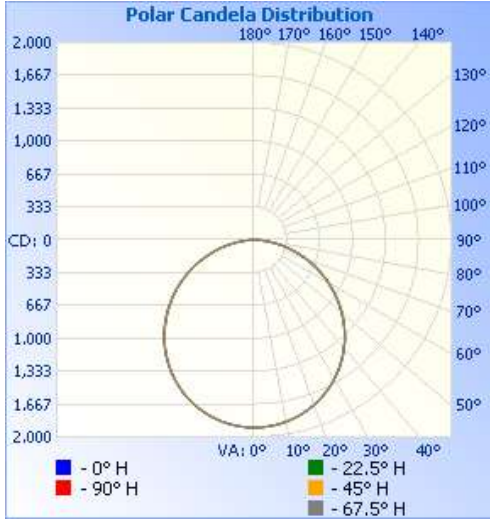


SMK-BLP1-22
Surface mount kit for the 2x2 panel

Catalog Number:	Project Name:	Note:	Date:	Type:
-----------------	---------------	-------	-------	-------

PHOTOMETRY

PT-BPL1-22-40W @ 3500K



CATALOG NUMBER	WATTAGE	DELIVERED LUMENS	EFFICACY	DLC PRODUCT ID	CLASSIFICATION
PT-BPL1-22-20W-3CCT	20W	2,500	121 lm/W	PLPBHF2KZNYB	PREMIUM
PT-BPL1-22-30W-3CCT	30W	3,750	121 lm/W	PLCTEAJ7Y4E3	PREMIUM
PT-BPL1-22-40W-3CCT	40W	5,043	121 lm/W	PLDEPCENF7WF	PREMIUM