



# KT-WPLED20-S1-8XX-VDIM

## SMALL 20W NON-CUTOFF LED WALL PACK

### DESCRIPTION

Small 20W Non-Cutoff LED Wall Pack | 120–277V Input | 3000–5000K | Low Profile Bronze Housing | Impact Resistant Lens

### APPLICATION

Building Mount for exterior illumination (entryways, pathways, stairwells, security, and other general site lighting requirements)



### PRODUCT FEATURES

- Small non-cutoff design can be mounted virtually anywhere, offering uniform vertical and horizontal distribution pattern for general safety and security illumination needs
- Heavy-duty die-cast aluminum housing features modern aesthetics and includes (3) available 1/2" threaded conduit hubs, (1) on back and (1) on each side
- Powered by Keystone 0–10V dimming LED drivers
- Built-in dusk-to-dawn photocell behind translucent 1/2" threaded plug with anti-yellowing agent
- ADA Compliant with low-profile housing less than 4" deep
- Impact-resistant and highly diffused polycarbonate lens with anti-yellowing agent offers reduced glare for low mounting height applications
- Ambient operating temperature: –20°C/–4°F to 45°C/113°F
- UL listed for wet locations, IP65
- 0–10V dimming, 10% min
- Power Factor: >0.95
- THD: <20%
- LED chip lifetime: L70 >100,000 hrs @ 25°C/77°F ambient fixture temp
- Meets FCC Part 15, Part B, Class A standards for conducted and radiated emissions

### ELECTRICAL SPECIFICATIONS

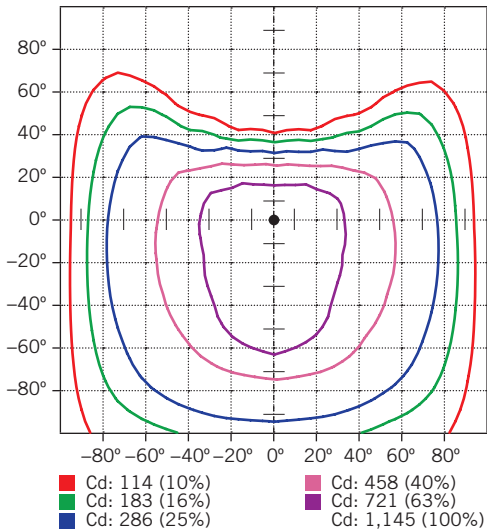
Catalog Number	Wattage	Lumens	Lumens Below 90°	Dimming	CCT*	Efficacy	CRI	Housing Color	Input Voltage	Rated Life	Legacy Equivalent
KT-WPLED20-S1-840-VDIM	20W	2500 lm	2250 lm	0–10V	4000K	125 lm/W	>80	Bronze	120–277V	50,000 hrs	50–70W MH
KT-WPLED20-S1-850-VDIM					5000K						

\* Color Uniformity: CCT (Correlated Color Temperature) range as per guidelines outlined in ANSI C78.377-2017

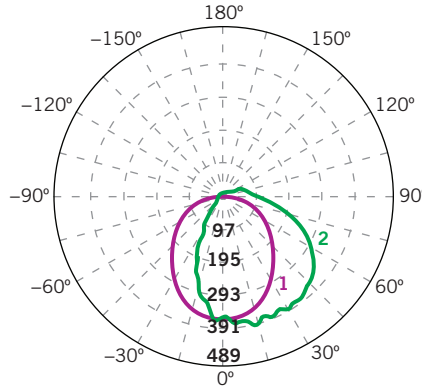
**KT-WPLED20-S1-8XX-VDIM**  
SMALL 20W NON-CUTOFF LED WALL PACK

**PHOTOMETRIC SPECIFICATIONS**

**ISOCANDELA PLOT**



**LUMINOUS INTENSITY DISTRIBUTION**



Average diffuse angle (50%): **100°**  
**1 Violet** C0-C180  
**2 Green** C90-C270  
 Unit: cd

**FLUX DISTRIBUTION**

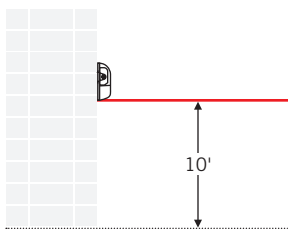
Zone	Lumens	% Luminaire
<b>Forward Light</b>	1,653 lm	64.0%
0°-30°	379 lm	14.7%
30°-60°	758 lm	29.4%
60°-80°	400 lm	15.5%
80°-90°	116 lm	4.5%
<b>Back Light</b>	667 lm	25.8%
0°-30°	264 lm	10.2%
30°-60°	283 lm	11.0%
60°-80°	97 lm	3.8%
80°-90°	23 lm	0.9%
<b>Up Light</b>	261 lm	10.1%
90°-100°	92 lm	3.5%
100°-180°	170 lm	6.6%

BUG* Rating	
<b>Asymmetrical Luminaire Types</b>	
Type I, II, III, IV	B1 U3 G1
<b>Quadrilateral Symmetrical Luminaire Types</b>	
Type V, Area Light	B1 U3 G1

\* Backlight, Uplight, Glare

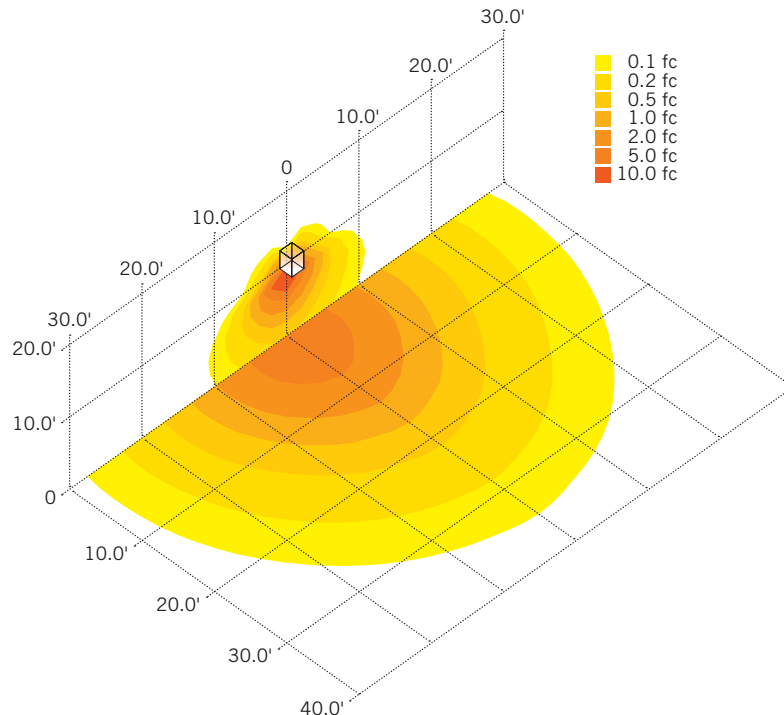
**MOUNTING**

Side view



**LIGHT DISTRIBUTION PATTERN**

Isometric view from above; Luminaire mounted at 10'

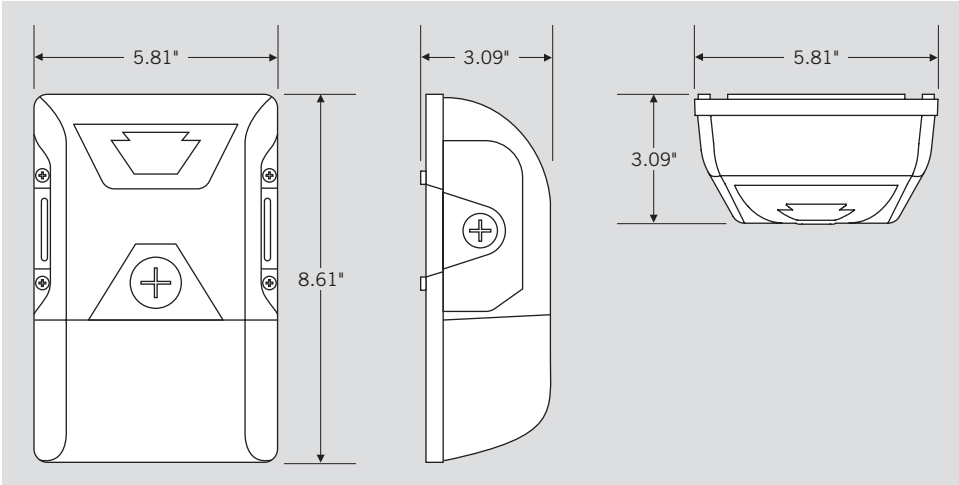




# KT-WPLED20-S1-8XX-VDIM

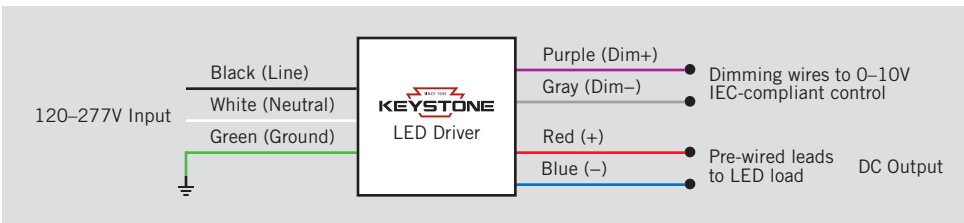
## SMALL 20W NON-CUTOFF LED WALL PACK

### PHYSICAL SPECIFICATIONS



### GENERAL SETUP INSTRUCTIONS

#### GENERAL WIRING DIAGRAM

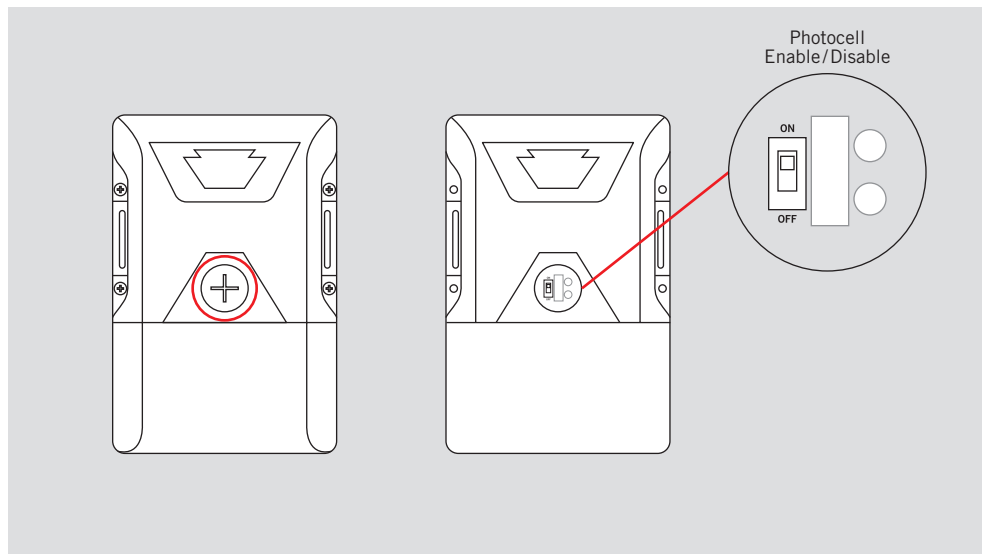


**Caution:** Before installing, make certain that AC power to the fixture is off.

**Caution:** The electrical rating of this product is 120-277V. Installer must confirm that there is 120-277V at the fixture before installation.

#### PHOTOCELL ENABLE/DISABLE

This fixture is equipped with a dusk-to-dawn photocell behind the translucent knock-out (KO) cover. Adjust the dip switch to enable (ON) or disable (OFF) the photocell function (see illustrations to the right). Fixture comes preset with photocell enabled unless otherwise noted.





# KT-WPLED20-S1-8XX-VDIM

## SMALL 20W NON-CUTOFF LED WALL PACK

**ACCESSORY (SOLD SEPARATELY)**

Catalog Number	Description
KTSP-10KV-C	Wall Pack 10kV Surge Protector, Compact Design

**ORDERING INFORMATION**

ORDER CODE	PACK QTY.	ITEM STATUS
KT-WPLED20-S1-840-VDIM	1	Quick Ship
KT-WPLED20-S1-850-VDIM	1	Quick Ship

**CATALOG NUMBER BREAKDOWN**

# KT-WPLED20-S1-8XX-VDIM

- 1
- 2
- 3
- 4
- 5
- 6
- 7
- 8
- 9
- 10

- 1** Keystone Technologies
- 2** Fixture Type
- 3** LED Lamp
- 4** Max Wattage
- 5** Size
- 6** Style
- 7** CRI
- 8** Color
- 9** Dimming
- 10** Housing Color

**2 Fixture Type**

<b>F</b>	Flood
<b>WP</b>	Wallpack

**5 Size**

<b>S</b>	Small
<b>M</b>	Medium
<b>L</b>	Large

**6 Style**

<b>1</b>	Non-Cutoff
<b>2</b>	Full-Cutoff

**7 CRI**

<b>8</b>	>80
<b>9</b>	>90

**8 Color**

<b>40</b>	4000K
<b>50</b>	5000K

**9 Dimming**

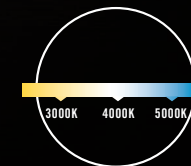
<b>VDIM</b>	0-10V
-------------	-------

**10 Housing Color**

	Bronze
<b>B</b>	Black
<b>W</b>	White

# XFIT | SMALL LOW PROFILE WALL PACK FIXTURES

Flexible mounting virtually  
anywhere with a compact design.



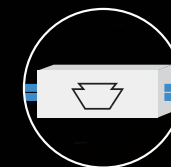
**COLOR SELECT TECHNOLOGY** (on select models)

ADJUSTABLE: 3000K - 4000K - 5000K



**BUILT-IN DUSK TO DAWN PHOTOCELL**

OPERATES ONLY WHEN DARKNESS IS DETECTED FOR  
INCREASED CONTROL AND ENERGY EFFICIENCY



**BUILT-IN 120-277V KEYSTONE LED DRIVER**

PROVIDES 0-10V DIMMING & AMPLE SURGE PROTECTION  
FOR INCREASED VERSATILITY AND RELIABILITY



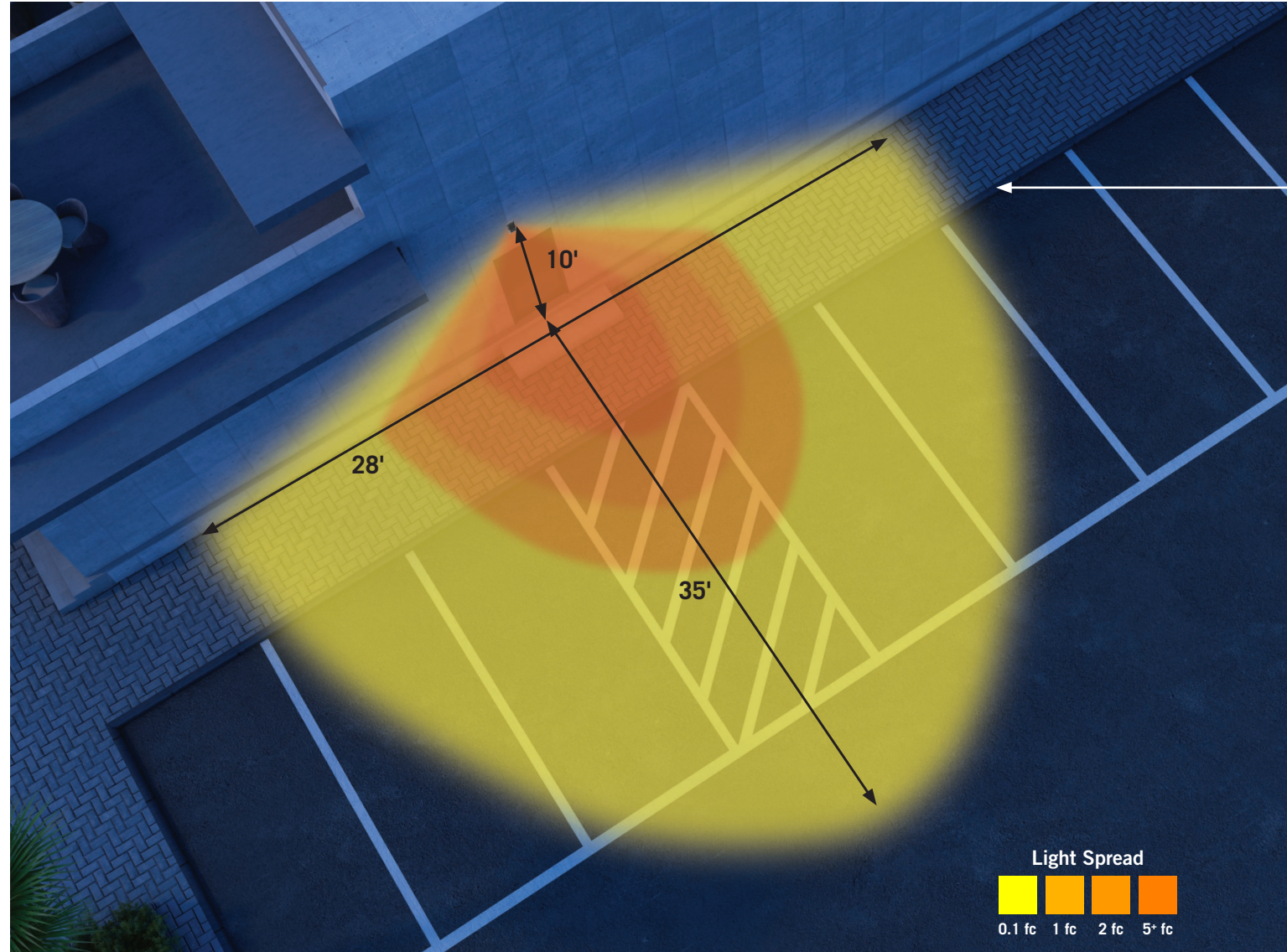
100,000 HOUR  
LED LIFETIME

IP65  
RATED

5 YEAR  
WARRANTY



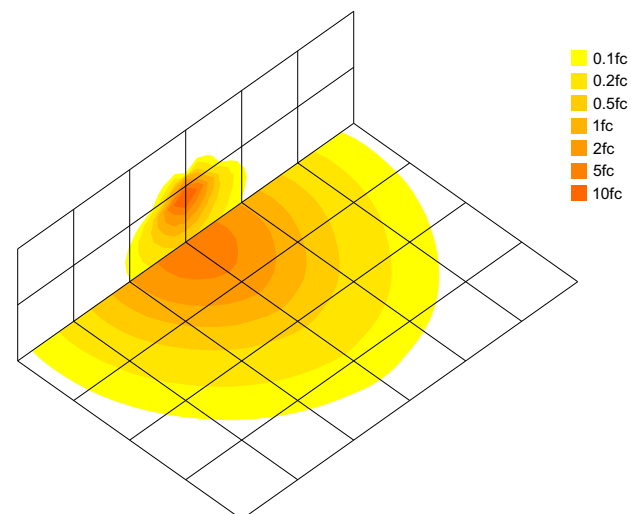
# XFIT SMALL LOW PROFILE WALL PACKS



## FEATURES AND BENEFITS

- Provides flexible mounting
- Meets general safety and security illumination needs with a uniform vertical and horizontal light distribution pattern
- Ensures reliable operation with a Keystone LED dimming driver
- Adds energy savings with 0-10V dimming
- Provides ADA compliance with low profile housing (less than 4" deep)
- Reduces glare at low mounting height applications with advanced poly carb lens technology
- Protected from the elements with an IP65 rating
- Designed with two dip switches (protected by a translucent plug) to disable the photocell and adjust color temperature as needed.
- Features a modern design in heavy duty die cast aluminum housing available in bronze, white or black.

20W Small Wall Pack: Building exterior mounted at 10'



SHOWN IN BRONZE



SHOWN IN WHITE



SHOWN IN BLACK



PROTECTIVE TRANSLUCENT SWITCH PLUG TO ACCESS PHOTOCELL AND COLOR TEMPERATURE DIP SWITCHES