



# KT-WPLED120-L1-8CSB-VDIM

## TRADITIONAL 120W NON-CUTOFF LED WALL PACK

**DESCRIPTION**

Traditional 120W Non-Cutoff LED Wall Pack | 120–277V Input | 3000–5000K | Large-Size Bronze Housing | Glass Lens

**APPLICATION**

Building Mount for exterior illumination (perimeters, pathways, loading docks, and other general security lighting requirements)



**PRODUCT FEATURES**

- Traditional design matches appearance and light distribution pattern of legacy HID, optimized for one-for-one replacements
- Heavy-duty, die-cast aluminum housing with (5) available 1/2" threaded conduit hubs: (1) on back and (1) on all four sides
- Powered by Keystone 0–10V dimming LED drivers
- Keystone Color Select Technology: Adjustable CCT (3000K, 4000K, or 5000K)
- Built-in dusk-to-dawn photocell behind translucent 3/4" threaded plug with anti-yellowing agent
- Borosilicate glass lens diffuses light source and provides uniform distribution
- Covers footprint of large HID wallpacks
- Ambient operating temperature: –20°C/–4°F to 45°C/113°F
- UL listed for wet locations, IP65
- 0–10V dimming, 10% min
- Power Factor: >0.95
- THD: <20%
- LED chip lifetime: L70 >100,000 hrs @ 25°C/77°F ambient fixture temp
- Meets FCC Part 15, Part B, Class A standards for conducted and radiated emissions

**ELECTRICAL SPECIFICATIONS**

Catalog Number	Wattage	Lumens	Lumens Below 90°	Dimming	CCT*	Efficacy	CRI	Housing Color	Input Voltage	Rated Life	Legacy Equivalent
KT-WPLED120-L1-8CSB-VDIM	120W	16410 lm	14770 lm	0–10V	3000K	137 lm/W	>80	Bronze	120–277V	50,000 hrs	400W MH
		17865 lm	16075 lm		4000K	149 lm/W					
		16900 lm	15210 lm		5000K	141 lm/W					

\* Color Uniformity: CCT (Correlated Color Temperature) range as per guidelines outlined in ANSI C78.377-2017

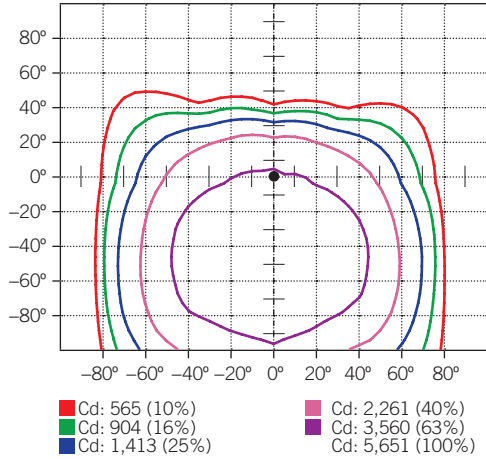


# KT-WPLED120-L1-8CSB-VDIM

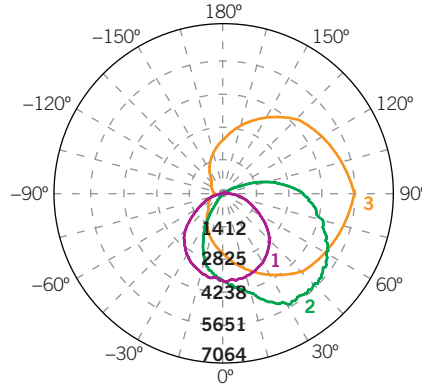
## TRADITIONAL 120W NON-CUTOFF LED WALL PACK

**PHOTOMETRIC SPECIFICATIONS**

**ISOCANDELA PLOT**



**LUMINOUS INTENSITY DISTRIBUTION**



Average diffuse angle (50%): **112.3°**

- 1 Violet C0-C180
- 2 Green C90-C270
- 3 Orange G46

Unit: cd

**FLUX DISTRIBUTION**

Zone	Lumens	% Luminaire
<b>Forward Light</b>	11,932 lm	71.6%
0°-30°	1,998 lm	12.0%
30°-60°	5,312 lm	31.9%
60°-80°	3,365 lm	20.2%
80°-90°	1,257 lm	7.5%
<b>Back Light</b>	2,803 lm	17.0%
0°-30°	1,280 lm	7.7%
30°-60°	1,273 lm	7.6%
60°-80°	250 lm	1.5%
80°-90°	39 lm	0.2%
<b>Up Light</b>	1,877 lm	11.3%
90°-100°	899 lm	5.4%
100°-180°	979 lm	5.9%

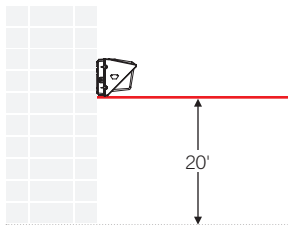
**BUG\* Rating**

Asymmetrical Luminaire Types	
Type I, II, III, IV	B3 U4 G5
Quadrilateral Symmetrical Luminaire Types	
Type V, Area Light	B3 U4 G5

\* Backlight, Uplight, Glare

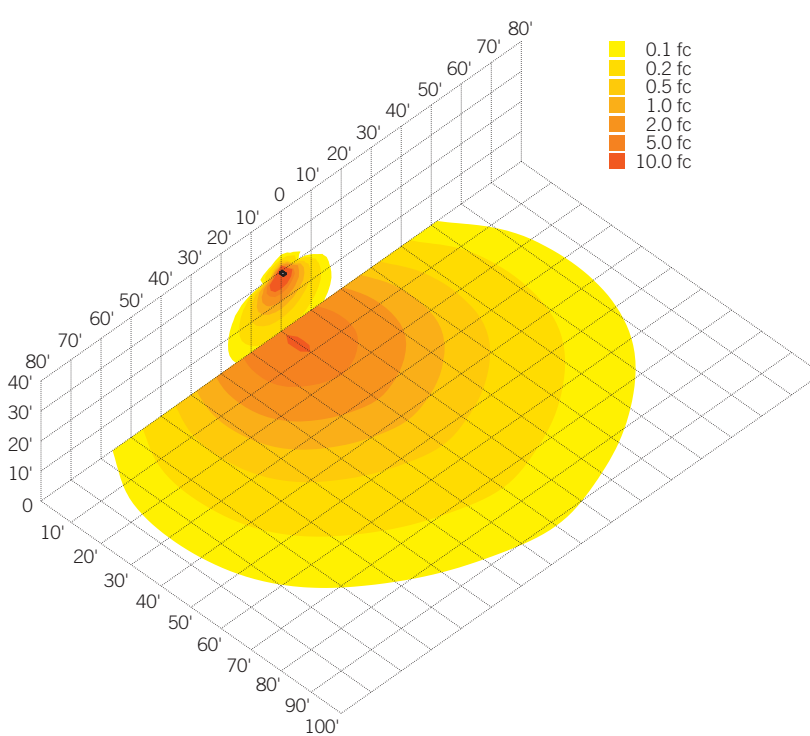
**MOUNTING**

Side view



**LIGHT DISTRIBUTION PATTERN**

Isometric view from above; Luminaire mounted at 20'

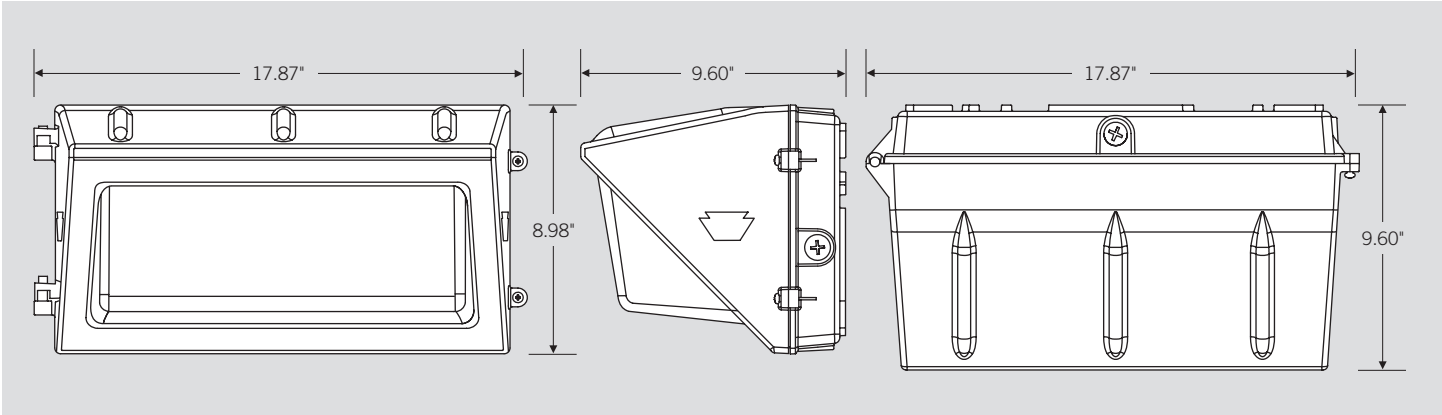




# XFIT | TRADITIONAL WALL PACK FIXTURES

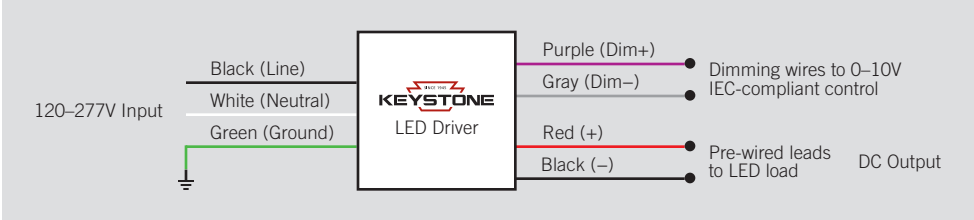
## KT-WPLED120-L1-8CSB-VDIM TRADITIONAL 120W NON-CUTOFF LED WALL PACK

### PHYSICAL SPECIFICATIONS



### GENERAL SETUP INSTRUCTIONS

#### GENERAL WIRING DIAGRAM



**Caution:** Before installing, make certain that AC power to the fixture is off.

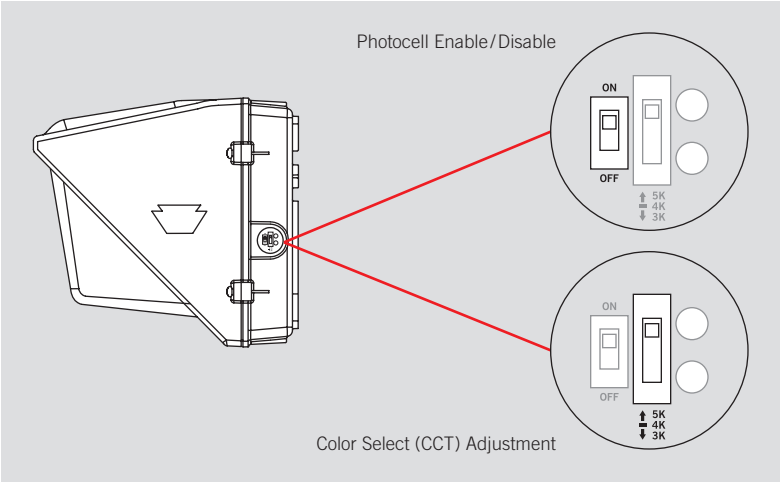
**Caution:** The electrical rating of this product is 120–277V. Installer must confirm that there is 120–277V at the fixture before installation.

#### PHOTOCELL ENABLE/DISABLE

This fixture is equipped with a dusk-to-dawn photocell behind the translucent knock-out (KO) cover. Adjust the dip switch to enable (ON) or disable (OFF) the photocell function (see illustrations to the right). Fixture comes preset with photocell enabled unless otherwise noted.

#### COLOR SELECT (CCT) ADJUSTMENT

This fixture is equipped with Color Select technology. There is an adjustable dip switch behind the translucent knock-out (KO) cover to change CCT between 5000K, 4000K, and 3000K (see illustrations to the right). Fixture comes preset at 5000K unless otherwise noted.




**XFIT**
**TRADITIONAL  
WALL PACK FIXTURES**

# KT-WPLED120-L1-8CSB-VDIM

## TRADITIONAL 120W NON-CUTOFF LED WALL PACK

**ACCESSORY (SOLD SEPARATELY)**

Catalog Number	Description
KTSP-10KV-C	Wallpack 10kV Surge Protector, Compact Design

**ORDERING INFORMATION**

CATALOG NUMBER	PACK QTY.	EASY CODE	UPC
KT-WPLED120-M1-8CSB-VDIM	1	EVM-25	843654129044

**CATALOG NUMBER BREAKDOWN**

# KT-WPLED120-L1-8CSB-VDIM

1	2	3	4	5	6	7	8	9	10	11
<b>1 Keystone Technologies</b>	<b>2 Fixture Type</b>	<b>3 LED Lamp</b>	<b>4 Max Wattage</b>	<b>5 Size</b>	<b>6 Style</b>	<b>7 CRI</b>	<b>8 Color</b>	<b>9 Color Select Designation</b>	<b>10 Dimming</b>	<b>11 Sensor Options</b>
	F Flood			S Small	1 Non-Cutoff	8 >80	40 4000K	A 3500K, 4000K, 5000K	VDIM 0-10V	No option
	WP Wallpack			M Medium	2 Full-Cutoff	9 >90	50 5000K	B 3000K, 4000K, 5000K		/PIR Occupancy sensor included
				L Large			CS Color Select	C 3000K, 3500K, 4000K, 5000K		
								D TBD		



# XFIT

## TRADITIONAL WALL PACK FIXTURES



Match the appearance of legacy HID fixtures while covering the same footprint.



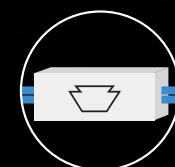
### COLOR SELECT TECHNOLOGY

ADJUSTABLE: 3000K - 4000K - 5000K



### BUILT-IN DUSK TO DAWN PHOTOCELL

OPERATES ONLY WHEN DARKNESS IS DETECTED FOR INCREASED CONTROL AND ENERGY EFFICIENCY



### BUILT-IN 120-277V KEYSTONE LED DRIVER

PROVIDES 0-10V DIMMING & AMPLE SURGE PROTECTION FOR INCREASED VERSATILITY AND RELIABILITY



### EASY INSTALLATION

5 KO ACCESS POINTS (4 SIDES AND 1 BACK) AND CAPTIVE SCREWS INCLUDED



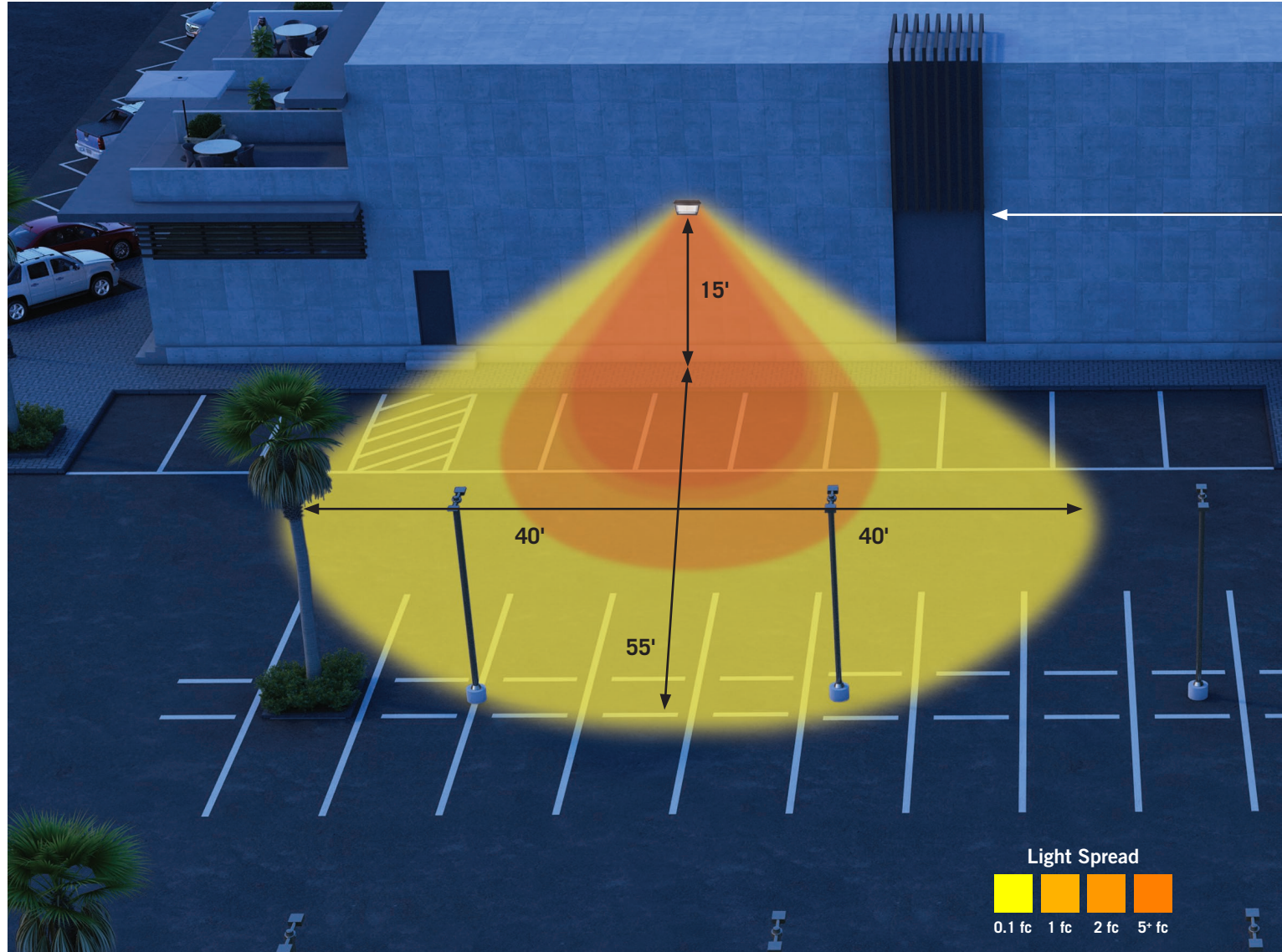
100,000 HOUR  
LED LIFETIME

IP65  
RATED

5 YEAR  
WARRANTY



# XFIT TRADITIONAL WALL PACKS



## FEATURES AND BENEFITS

- Provides easy one-for-one upgrade to energy efficient LED
- Increases control and energy efficiency with a built-in dusk to dawn photocell
- Adds energy savings with 0-10V dimming
- Provides uniform light distribution with advanced optical lens technology
- Protected from the elements with an IP65 rating
- Protects from wear and tear with a heavy duty die cast aluminum housing in traditional bronze color
- Fits existing legacy product footprint (14" & 17")
- Designed with two dip switches (for photocell and color temperature adjustment) protected by a translucent plug
- Borosilicate Glass lens is high impact resistant and prevents discoloration over time

35W Traditional WP: Building exterior mounted at 15'

