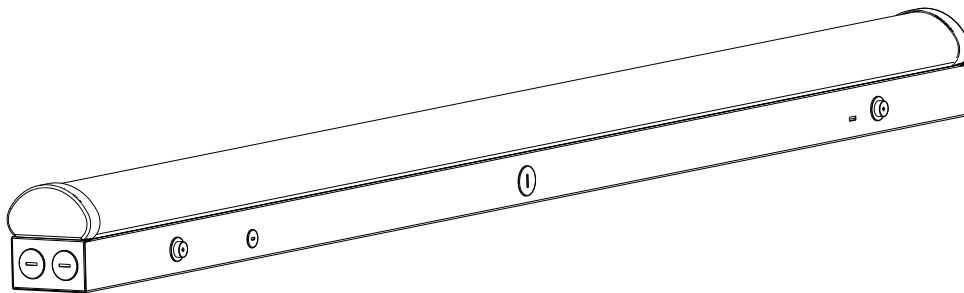


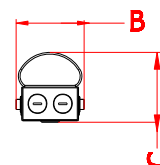
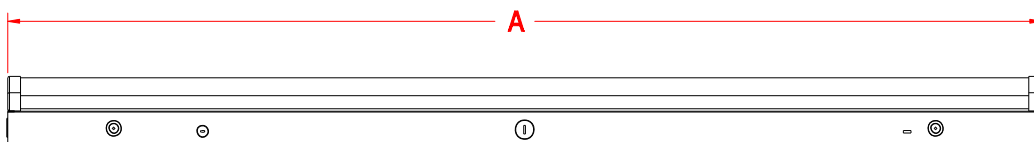
# Product Appearance



# Product Features

- 1. UL,FCC, DLC listed.
- 2. Power optional:4ft 30W or 40W, 8ft 60W or 80W .
- 3. Lumen efficiency : 155 LM/W
- 4. 0-10 dimmable driver.
- 5. Input voltage: 100-277VAC .
- 6. Surface mounting installation.
- 7. Five years' warranty.

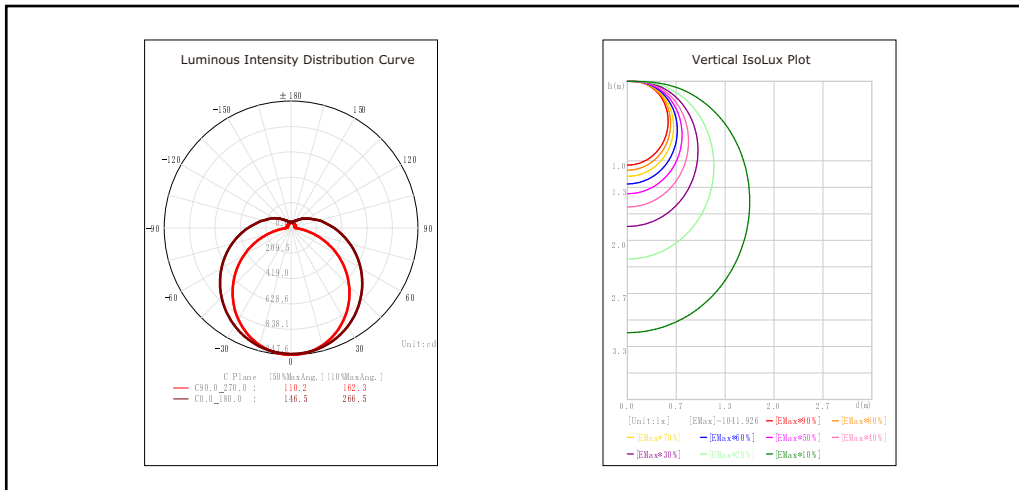
# Product Dimension



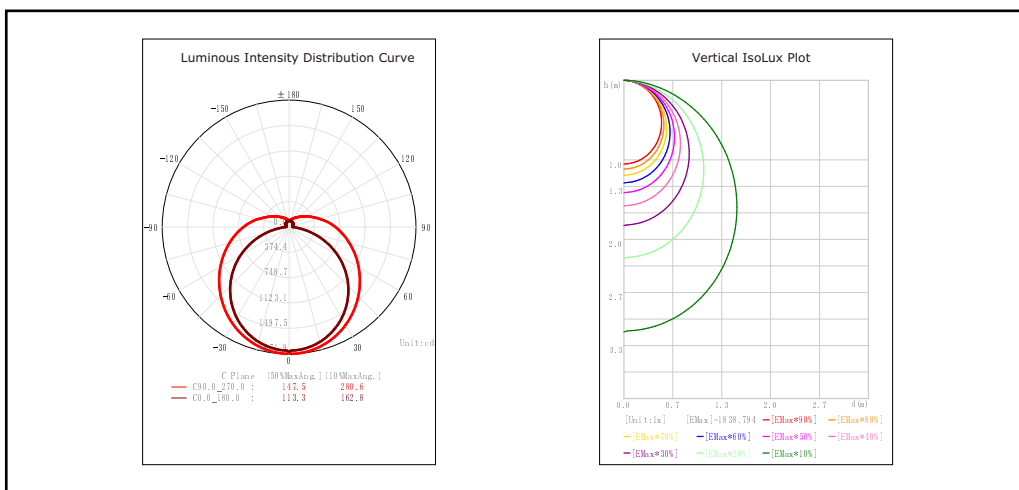
Mode	size	A (inch)(mm)	B (inch)(mm)	C (inch)(mm)
GL-ST02-30W-H	4FT	48.03" 1220mm	3.28" 82mm	3.28" 82mm
GL-ST01-40W-H	4FT	47.32" 1220mm	3.28" 82mm	3.28" 82mm
GL-ST03-60W-H	8FT	95.98 " 2438mm	3.28" 82mm	3.28" 82mm
GL-ST03-80W-H	8FT	95.98 2438mm	3.28" 82mm	3.28" 82mm

# Testing Report

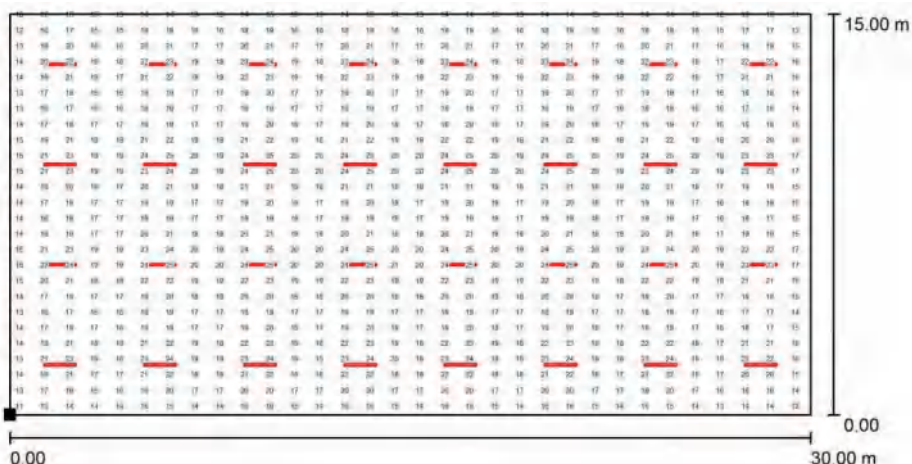
## 4FT LUMINOUS INTENSITY DISTRIBUTION DIAGRAM



## 8FT LUMINOUS INTENSITY DISTRIBUTION DIAGRAM



# Simulation chart



Line Graph



Thermal Imaging

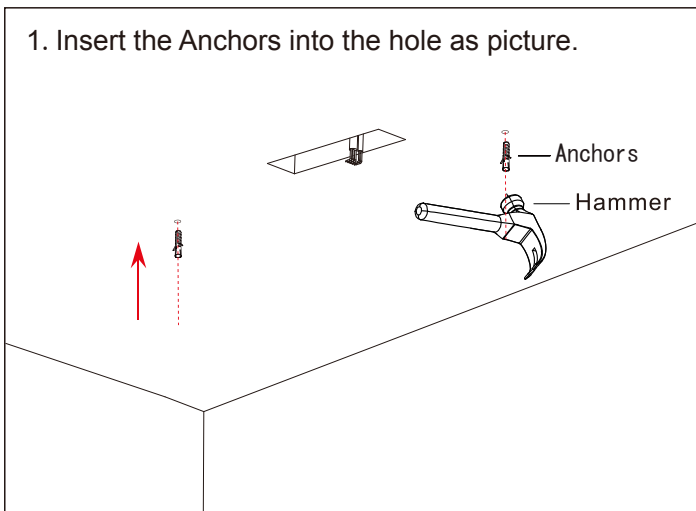
# Specification

Mode	Size	Power	Input Voltage	Input Current	PF	Light Efficacy	Ra	CCT
GL-ST02-30W-H	4FT	30W	AC100-277V	0.33A	>0.9	155lm/w	80	4000K-5700K
GL-ST01-40W-H	4FT	40W	AC100-277V	0.44A	>0.9	155lm/w	80	4000K-5700K
GL-ST03-60W-H	8FT	60W	AC100-277V	0.66A	>0.9	155lm/w	80	4000K-5700K
GL-ST03-80W-H	8FT	80W	AC100-277V	0.57A	>0.9	155lm/w	80	4000K-5700K

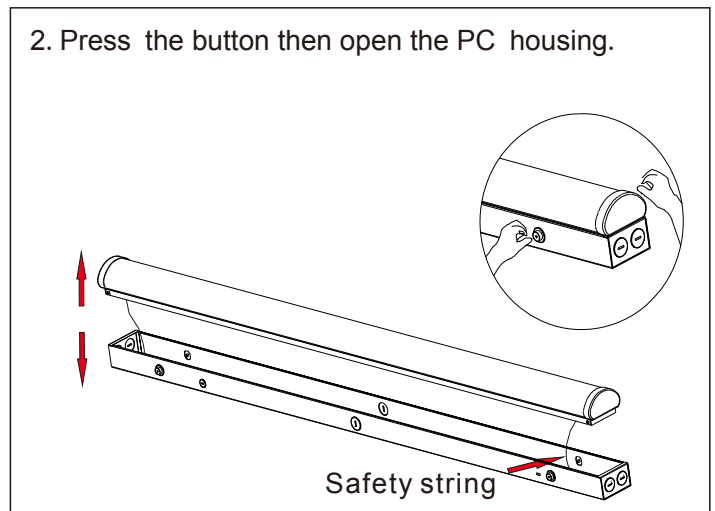
# Installation

## Surface Mounted Installation

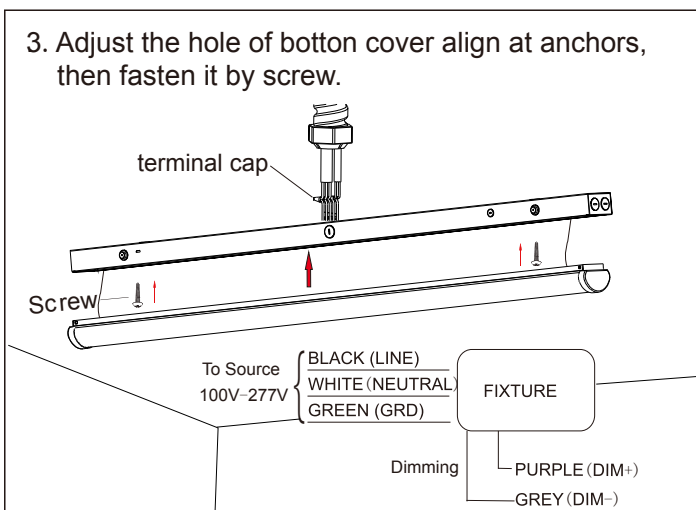
1. Insert the Anchors into the hole as picture.



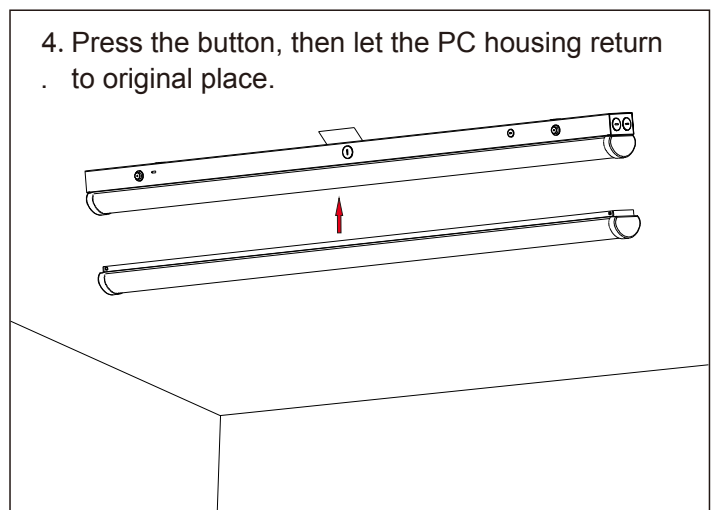
2. Press the button then open the PC housing.



3. Adjust the hole of bottom cover align at anchors, then fasten it by screw.



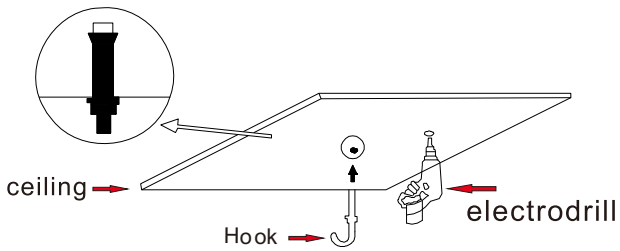
4. Press the button, then let the PC housing return to original place.



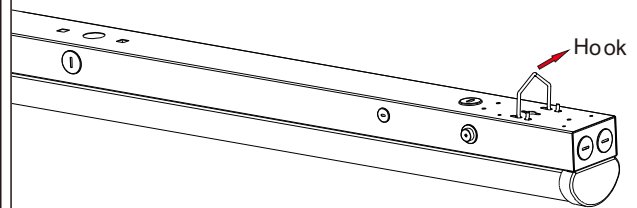
# Installation

## A. Loop hanging installation

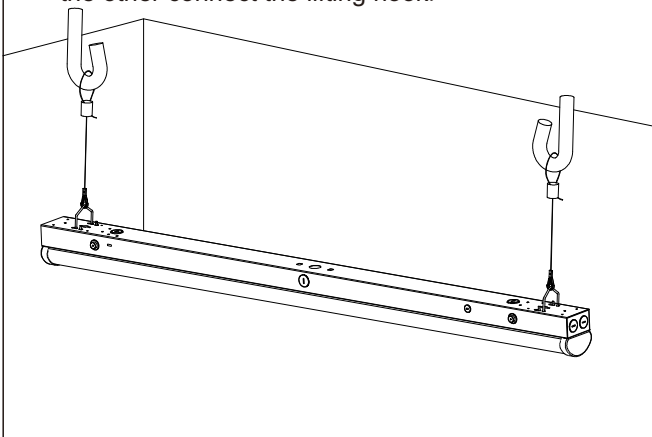
1. Drill two holes in the ceiling with electrodrill, put the hook into the hole.



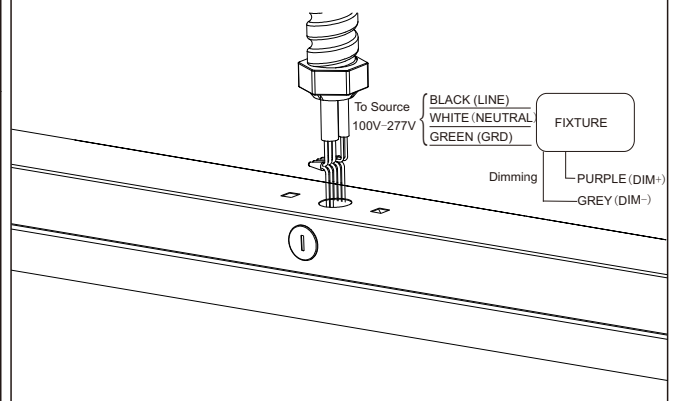
2. Put the hook into the holes as picture.



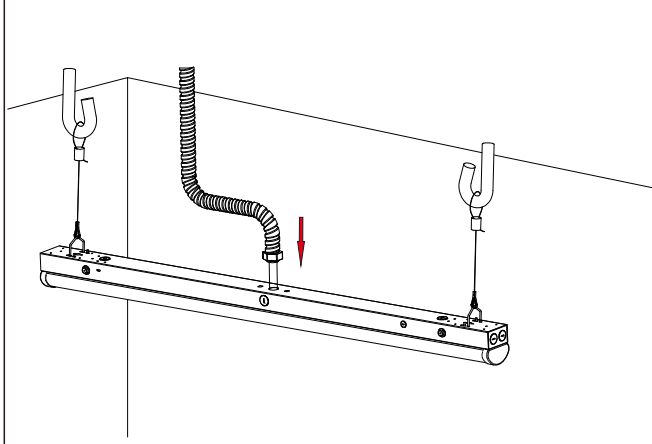
3. One side of safety rope to connect the hook, the other connect the lifting hook.



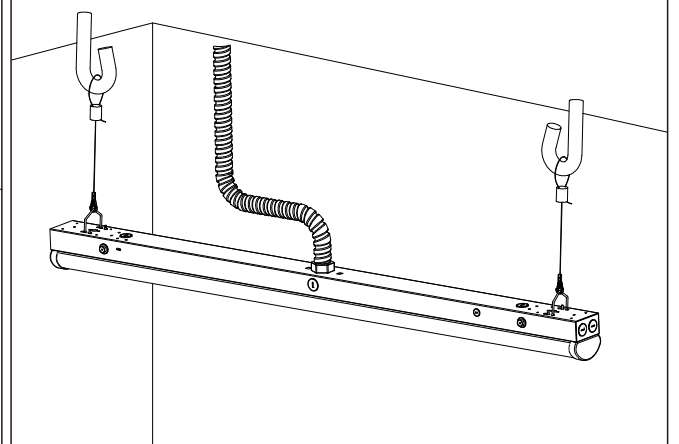
4. Turn off power, and make wiring connections with terminalcap.(see wiring instruction below).



5. Insert the terminal block and wires into the strip.



6. Insert the wire terminal joint to the wire entry.



**The Installation must be carried out by a qualified electrician.**

# Packing/weight

Part NO.	Outer Carton Size (LxWxH)	Qty/Carton (pcs)	Net weight (kg)(lbs)	Gross weight (kg)(lbs)	20GP (QTY)	40HQ (QTY)
GL-ST02-30W-H	(1250*290*210mm) (49.21**11.42**8.27")	6PCS	1.8kg 3.96lbs	13.2kg 29lbs	2130	5250
GL-ST01-40W-H	(1250*290*210mm) (49.21**11.42**8.27")	6PCS	1.8kg 3.96lbs	13.2kg 29lbs	2130	5250
GL-ST03-60W-H	(2473*183*198mm) (97.36**7.2**7.80")	1PCS	3.7kg 8.2lbs	17.0kg 37.4lbs	1152	2912
GL-ST03-80W-H	(2473*183*198mm) (97.36**7.2**7.80")	1PCS	3.7kg 8.2lbs	17.0kg 37.4lbs	1152	2912

# Packing

