

LED Wall Scone - WS01 Series



Application: bedroom, hallway, living room, kitchen or any other residential and commercial applications

Description

This Energy Saving LED wall scone light fixture is maintenance free using integrated LED modules. It has a sleek, modern and contemporary design that allows you to have a stylish look with efficient lighting. Durable metal construction is built for long product life and opal acrylic shade creates a beautiful glow when illuminated.

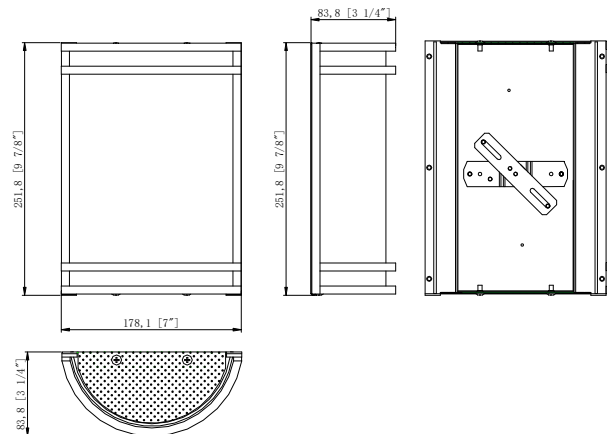
Feature

- Damp Location rated
- 5-year limited warranty
- Comes in 10"
- CCT Selectable by dip switch: 3000K, 4000K and 5000K
- Has smooth dimming capabilities ranging from 10% to 100%
- Quick and easy Installation. Can be installed both vertically and horizontally

Specifications

| Model | HYA-WS01-15WCCT-NK |
|------------------------|---|
| Power | 15W |
| Size | 10" |
| Lumens | 1050LM |
| Max input current | 0.19A |
| Input Voltage | 120 V |
| Housing | Brushed Nickel Steel+Acrylic Lens |
| Dimming | Triac Dimming (10%-100%) |
| Protecting Rating | IP20 (For indoor use ONLY) |
| Power Factor | 0.9+ |
| Beam Angle | 120° |
| CCT | 3000K/4000K/5000K Selectable |
| CRI | 80+ |
| Surge protection DM/CM | 1.25 kV / 1.25 kV |
| Working Life | Lumen Maintenance over 70% @50,000+ hours |
| Oper. Temperature | -4°F to 113°F (-20°C to 45°C) |
| Qty/Package | 6 |
| Package Dim | 18.89"x14.96"x12.4" (480x380x315MM) |
| Package Weight | 32.16LB (14.59KG) |

Dimensions



Installation

