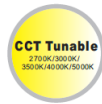


## LED Ultra Slim Downlight - USDL Series



**Application:** Living room, bedroom, office, lobbies, conference room and more residential and commercial applications

### Description

This ultra slim downlight with tunable white technology provides high-quality light output and efficiency featuring a switch for easy color temperature adjustment to fit different environment needs. IC rated driver with convenience to eliminate the need for recessed housings. The ultra slim downlight is an ideal choice for easy remodel or new construction installation.

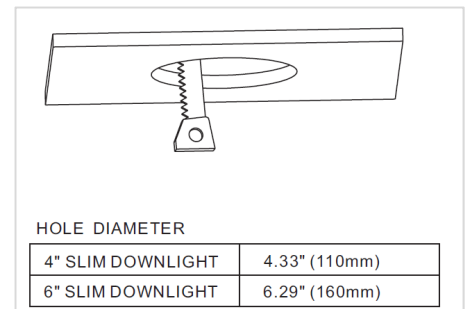
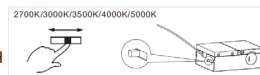
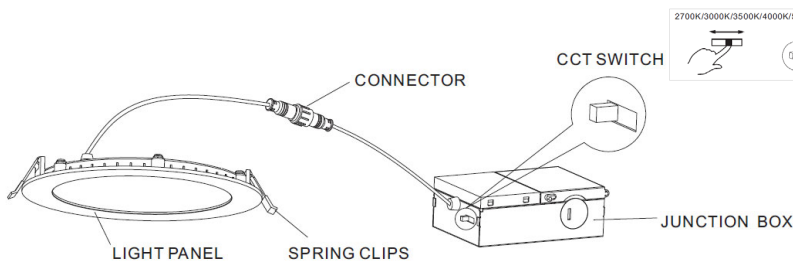
### Feature

- Aluminum die cast outer frame, durable powder coat paint to prevent rust
- CCT Tunable: 2700K, 3000K, and 3500K or 3000K, 4000K, and 5000K using the switch on driver
- No housing required
- Edge-lit LED technology uses light guided plate to distribute light and polycarbonate lens provides even light distribution
- ETL and Energy Star Listed
- 5-year limited warranty

### Specifications

Model	HY-USDL-R4-9W-5CCT	HY-USDL-R6-12W-5CCT
Power	9W	12W
Size	4" Round	6" Round
Lumens	600LM	920LM
Input Voltage	120 V	
Beam Angle	110°	
Can Rating	Type IC	
Dimming	Triac Dimming	
Protecting Rating	IP20 ( For indoor use ONLY)	
Power Factor	0.9+	
Beam Angle	110°	
CCT	2700K/3000K/3500K/4000K/5000K	
CRI	80+	
Working Life	Lumen Maintenance over 70% @50,000+ hours	
Oper. Temperature	-4°F to 104°F (-20°C to 40°C)	

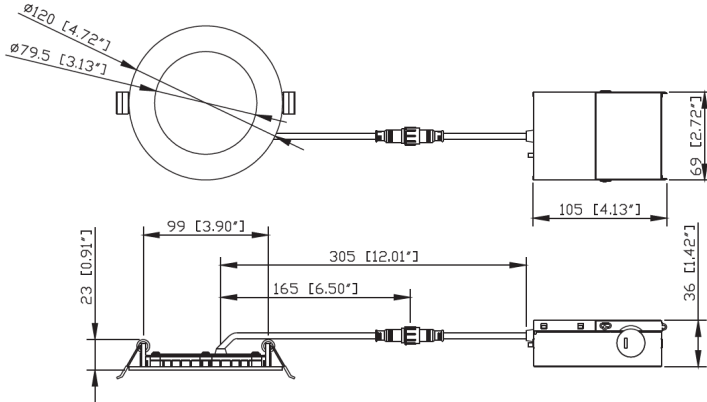
### CCT Adjust and Cutout Hole Guide



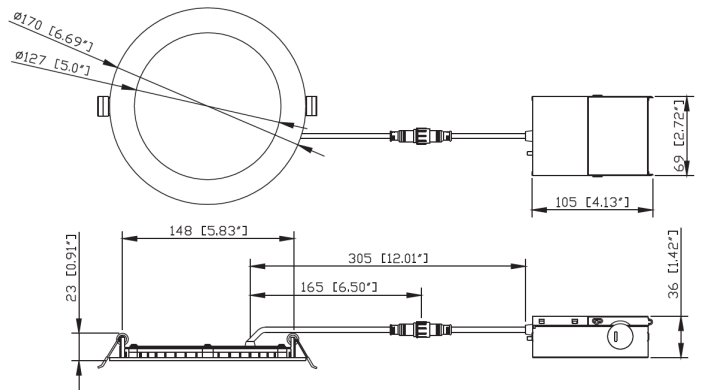
# LED Ultra Slim Downlight - USDL Series

## DIMENSION

### 4" Round



### 6" Round



## PACKAGE INFO

Model. No.	HY-USDL-R4-9W-5CCT	HY-USDL-R6-12W-5CCT
Size	4" Round	6" Round
QTY/PACK	20 PCS	20 PCS
Package Size	310X275X280mm 12.2"x10.8"x11"	580X375X195mm 22.8"x14.7"x7.7"
Package Weight	7.7 kg/16.98 lbs	11 kg/24.25 lbs
Package CBM	0.02387	0.042413
40GP Capacity	~48500 PCS	~27350 PCS
40HQ Capacity	~56500 PCS	~32000 PCS
45HQ Capacity	~65000 PCS	~36780 PCS

## PHOTOMETRIC REPORT

### 9W 4" Round LED Ultra Slim Downlight

#### LUMINOUS INTENSITY DISTRIBUTION DIAGRAM

