

# LED Troffer - 254 Series



## CONSTRUCTION

- Die formed of 0.6mm cold-rolled steel body
- All steel surface are painted after fabrication with high gloss backed white matte powder painted.
- High-diffusion light-milky Acrylic diffuser
- Fully recessed luminaire fits standard T-Grid ceilings.

## ELECTRICAL

- All electrical components are UL approved,
- Input Voltage from 120-277V
- Bridgelux / Hongli / Mason SMD2835 LED chips
- LED Driver: UL/CUL 120-277V 0-10V LED Driver
- 5 years warranty

## LABELS

ETL Listed, approved for dry/damp location unless otherwise noted

## PRODUCT DESCRIPTION

- ETL & DLC listed; With LM79 & LM80;
- High luminous efficacy 105 lm/w;
- 50,000 hours warranty 0-10V UL/CUL listed LED Driver, Flicking free.
- PF > 0.90
- driver efficiency > 87%; THD < 20%;
- CRI > 80
- Suitable for dry/damp location
- Designed for office, conference room etc.

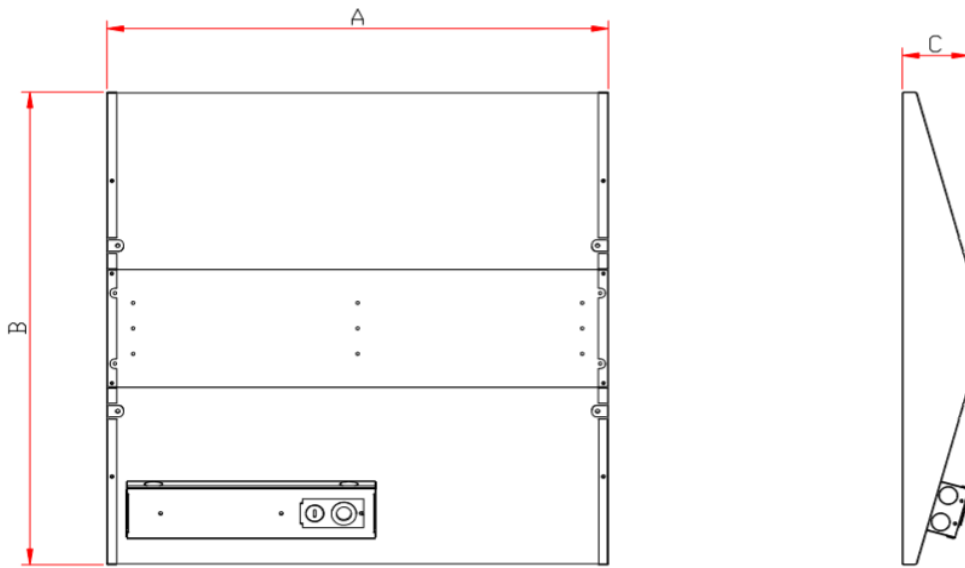
## Application

- Schools/ hospitals/ office/ retails/ commercial...
- New construction or retrofit for T-Bar ceiling installations

## ORDERING GUIDE

Model No: HY-TR254-(XX)W(X)x(X)-(XX)K						
Model No	Lumens	Company Code	Product	Watt	Size	C.C.T.
HY-TR254-35W1x4-XXK	4375LM	HY	TR254: 254 Series LED Troffer	35W	1x4	40K: 4000K 50K: 5000K
HY-TR254-35W2x2-XXK	4375LM			35W	2x2	
HY-TR254-45W2x4-XXK	5625LM			45W	2x4	

## PRODUCT DIMENSION

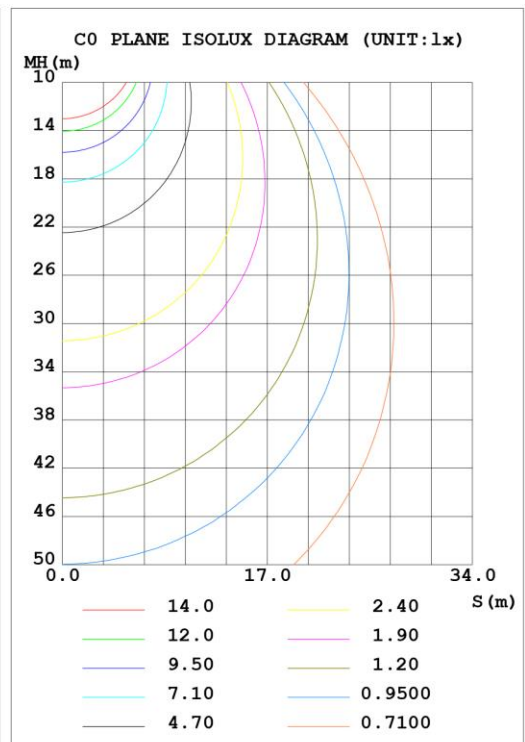
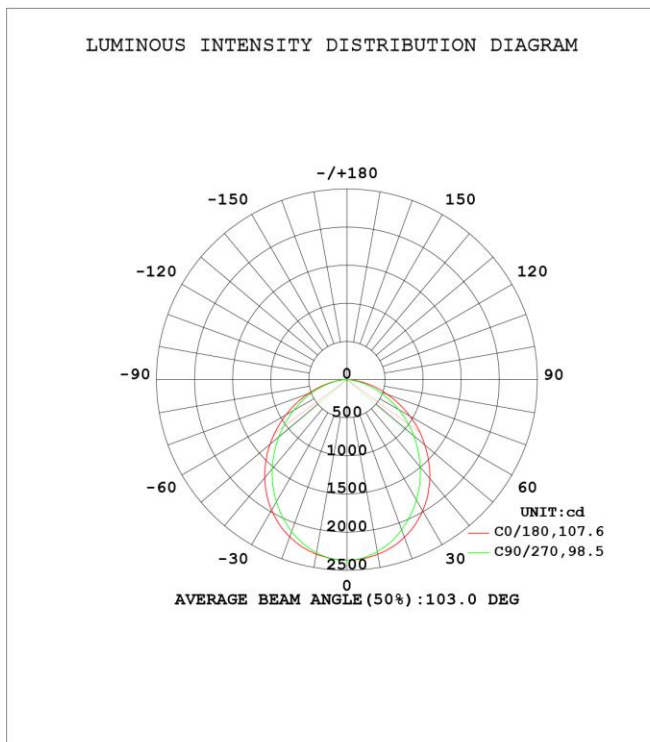


Model No	A	B	C	WATTAGE
HY-TR254-35W1x4-XXK	47.6"	12.0"	3.15"	35W
HY-TR254-35W2x2-XXK	23.8"	23.8"	3.15"	35W
HY-TR254-45W2x4-XXK	47.6"	23.8"	3.15"	45W

## PACKAGE/WEIGHT

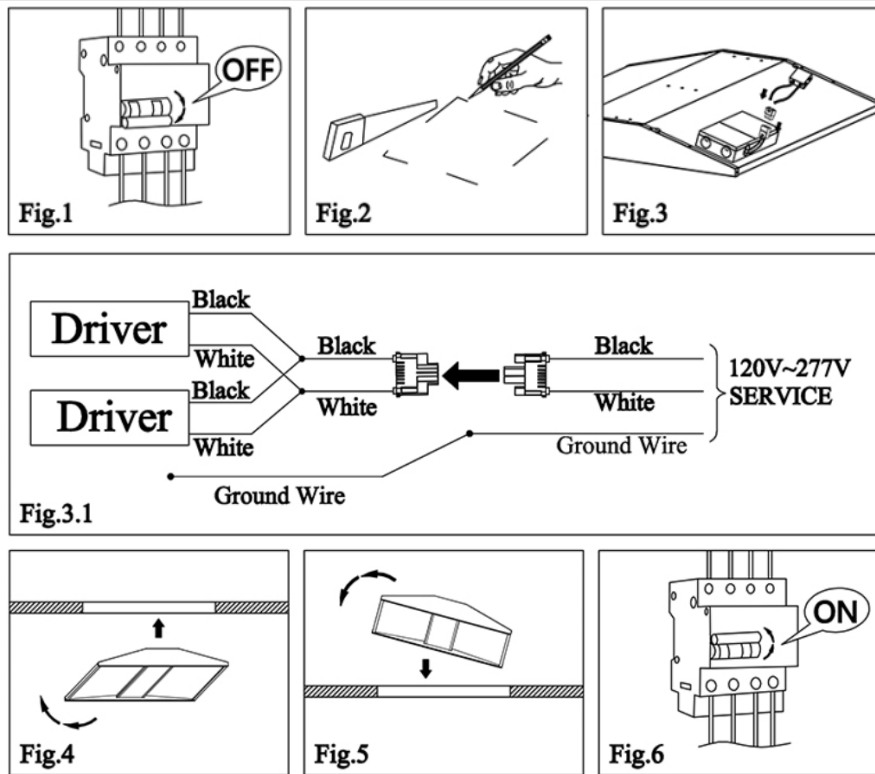
Model No	Size	Master Carton Size (LxWxH)	Qty/Carton	Weight (KG)/(LBS)
HY-TR254-35W1x4-XXK	1x4	48.62"x 25.00"x3.93"	1	5.40KG/11.90lbs
HY-TR254-35W2x2-XXK	2x2	25.00"x25.00"x3.93"	1	5.25KG/11.57lbs
HY-TR254-45W2x4-XXK	2x4	48.62"x 25.00"x3.93"	1	8.50KG/18.74lbs

## LIGHT DISTRIBUTION



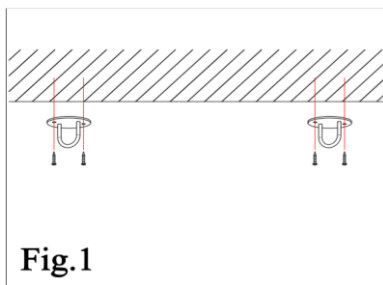
# INSTALLATION GUIDE

## FOR RECESSED

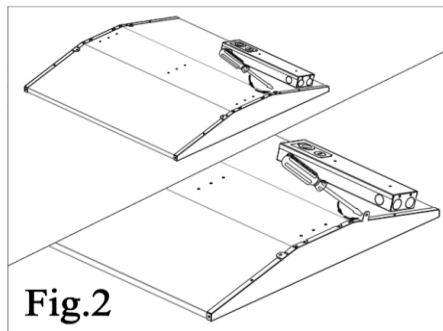


## FOR HANGING

1-Drill the holes in the wooden ceiling; And install the hanging ring into the ceiling.

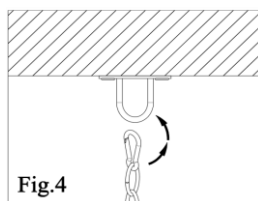


2-Use a screwdriver to straighten the hanging tabs.



3-Lock the chain/stainless wire into the installed ring or mounting bracket.

4-Install the Hook or stainless coabe into the hanging



5- Turn off the power,make the wire connection to the quick connector.

