

## LED LINEAR HIGH BAY



**Application:** Warehouses, gymnasiums, and all other industrial spaces

### Certifications



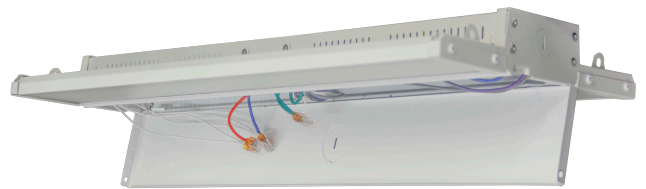
### SPECIFICATIONS:

Model No.	HYA-LHB2-110W2FT-H-5000K	HYA-LHB2-165W2FT-H-5000K	HYA-LHB2-165W4FT-H-5000K	HYA-LHB2-225W4FT-H-5000K
Size	2FT		4FT	
Wattage	110W	165W	165W	225W
Lumen Output	13525.4 lm	21060.9 lm	21603 lm	28031.6 lm
Input Current	1.009A	1.513A	1.513A	2.063A
CCT	5000K			
	135 LM/W			
Voltage Range	120 - 277 V			
PF	>0.9			
RA	80			
Working Temperature	-4°F~122°F			
Environment Location	Dry/Damp Location			
Lifespan	> 50000H			
DLC ID	PLEFPFVLD1Z2	PLTPCGIRZH9O	PLCSYLFUH50U	PLOALPSFBQFA
QTY/Mater Pack	2			
Master Packing Size	26"x7.3"x12.6"	26"x7.3"x15.8"	48"x7.32"x15.75"	48"x7.32"x15.75"
Master Packing Weight	14.2 LB	18.9 LB	30.2 LB	

### Feature

- Steel housing with white powder-coated finish
- Drivers come standard with 1-10V dimming leads capable of variable dimming down to 10%.
- Semi-diffuse acrylic lens to cover the emitters and reflectors
- Ideal replacement for HID warehouse lighting
- Chain hanger and hooks included for hanging for user convenience
- Knock-out on the side of the fixture for sensor installation

### Front Open Design for easier installation



### OPTION

- Emergency Back up
- Motion Sensor (On/Off or Bi-Level)

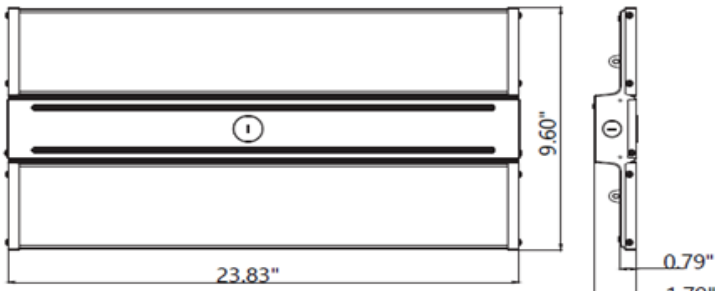
## ORDERING CODE DEFINITION

### EXAMPLE: HYA-LHB2-110W2FT-H-5000K

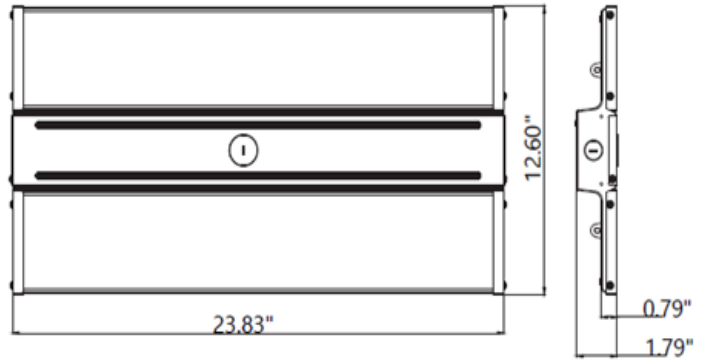
Company Code	Product	Power and Size	DLC Option	CCT
HYA	LHB2: LHB2 Series	110W 2FT	H: Higher Lumen Version/DLC Premium Listed	5000K
		165W 2FT		
		165W 4FT		
		225W 4FT		

## DIMENSIONS

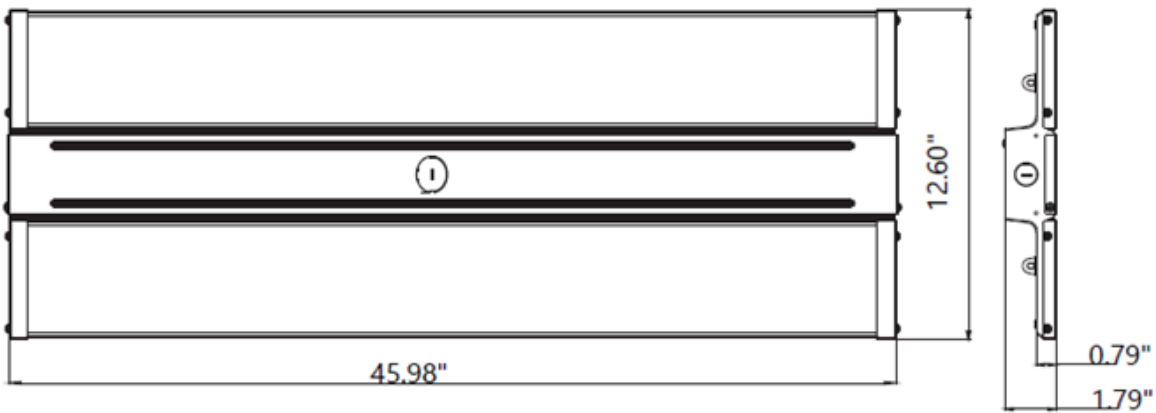
### 2FT 110W



### 2FT 165W

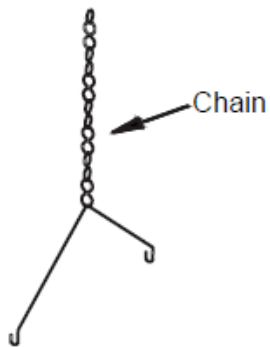


### 4FT (165W/225W)

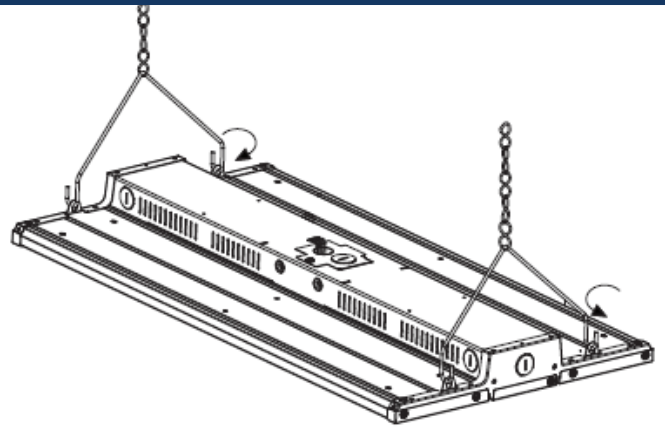


## INSTALLATION INSTRUCTION

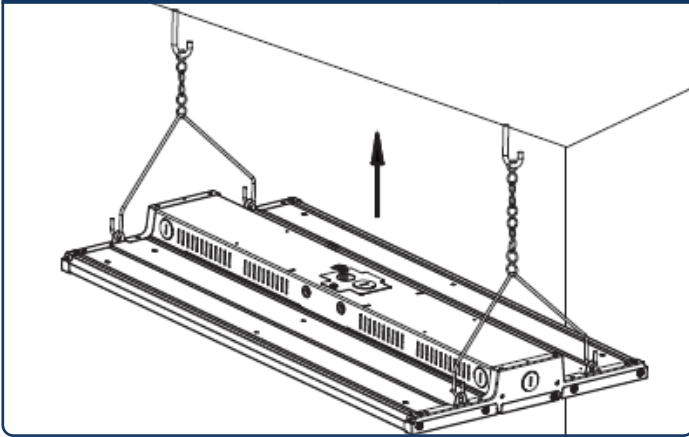
### 1. HOOK THE CHAIN AS BELOW PIC.



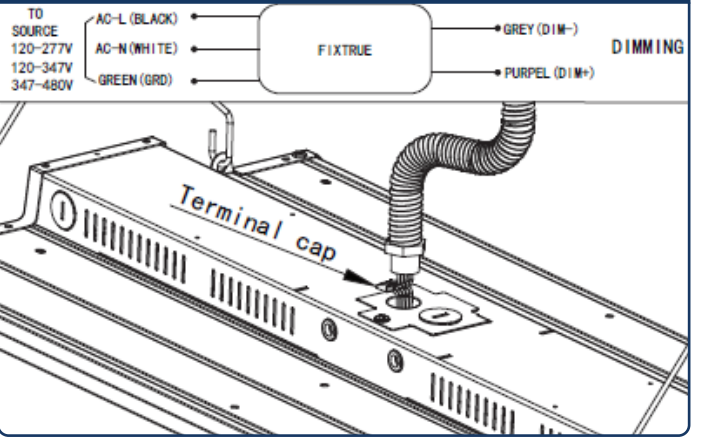
### 2. INSERT THE HOOK INTO THE SLOTTED HOLES, AS SHOWN BELOW.



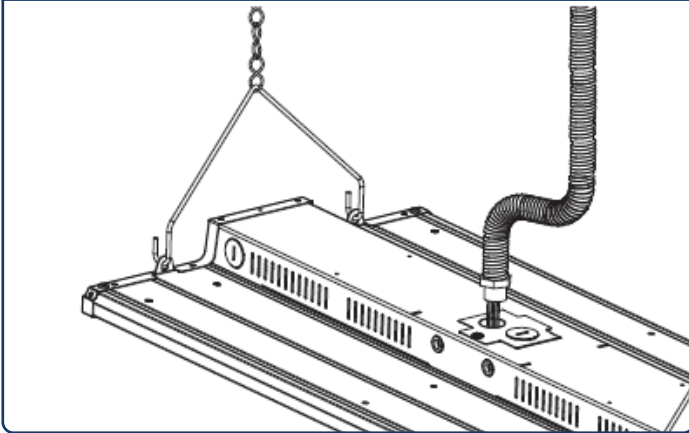
**3. HOOK UP THE CHAIN ON THE CEILING ANCHOR.**



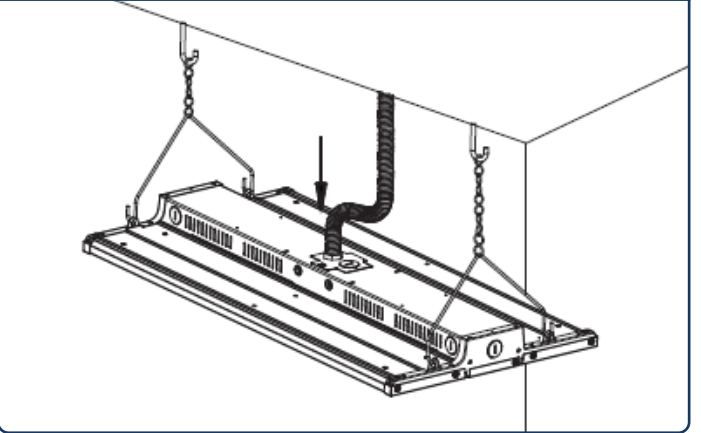
**4. TURN OFF POWER, AND MAKE WIRING CONNECTIONS WITH TERMINAL CAP (SEE WIRING INSTRUCCION BELOW).**



**5. INSERT THE TERMINAL CAP AND WIRES INTO THE DRIVE BOX.**



**6. INSERT THE WIRE TERMINAL JOINT TO THE WIRE ENTRY INSTALLATION COMPLETED.**



**PHOTOMETRIC REPORT**

