

LEDone®

LED Downlight

LED 4" 10W Gimbal Downlight



Order Information

Model NO.	Input Watts.	Input Volts.	Delivered Lumens	Efficacy (lm/w)	CCT	CRI	Power Factor	Lens.	Equivalent Wattage
LOD-DL4GB-AD10W-27K	10W	120V AC	697 lm	69.82	2700K (2695K)	91.3	>0.9596	Clear	20W
LOD-DL4GB-AD10W-30K	10W	120V AC	713.5 lm	72.02	3000K (3082K)	91.9	>0.9596	Clear	20W
LOD-DL4GB-AD10W-40K	10W	120V AC	725.4 lm	73.2	4000K (4021K)	91.1	>0.9596	Clear	20W
LOD-DL4GB-AD10W-50K	10W	120V AC	739.5 lm	74.55	5000K (5075K)	91.5	>0.9596	Clear	20W

Specification

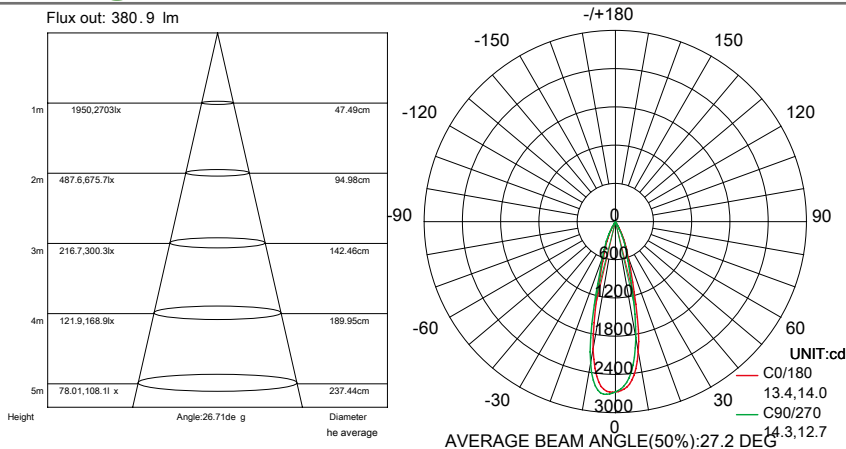
Operating Frequency	Weight	Dimmable	Beam Angel	Base	Operating Temperature
120.06 Hz	/	Triac Dimming	12° 24° 38°	/	-68/+104°F
IP Rating	THD (%)	LED Chip	Life Time	Warranty	Materials
Damp	<17.44%	CREE	50,000	5 years	PC

Description/Certificate

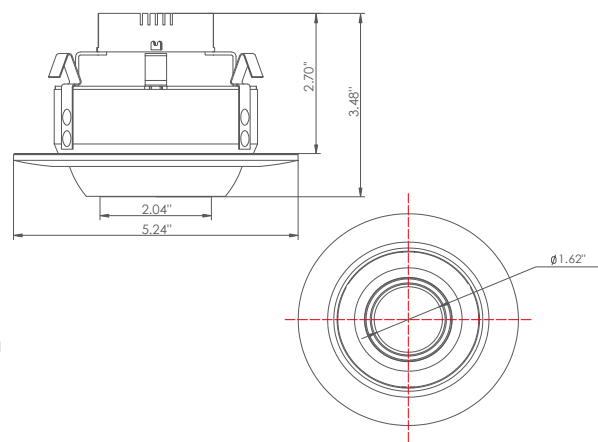
LEDone 4inch Rotatable LED Residential Downlight provides amazing advanced dimming capabilities which minimum to 5% with widely available traditional dimmers. It designed to easily install into existing IC or non-IC Four-inch housings with 35 degree adjustable angle and 12,24,38 degree beam angle, provides higher efficacy and longer life than compact fluorescent lamps.



Diagram



Dimensions



Projects:

Comments: