



ATG's Dusk to Dawn Barn Light is suitable for many general-purpose outdoor applications such as illuminating driveways, yards, properties, work areas, entryways, pathways, and loading docks. It can be mounted directly on a wall, or to a pole with the optional mounting arm. The prismatic lens offers a uniform distribution pattern as well as IP65 protection against the elements. All fixtures include a 3-pin photocell for dusk to dawn operation.

Project Details		Type
Project:		
Product:		
Prepared by:		
Notes:		

Product Highlights
• Initial Delivered Lumens: 6,150 – 12,200
• Replaces up to 250W MH
• Includes black 3-pin photocell
• Optional 1' mounting arm
• >50,000 Hrs. (L70)
• Universal 120-277V power supply
• 5-year warranty

Certifications and Compatibilities

Product Specs	
Input Voltage (VAC)	120-277V
Wattage	45, 65, 90
CCT (K)	4000, 5000
L70Hours per TM21-2008	>50,000 Hrs (145,000)
Limited Warranty	5 Year
CRI	70
Finish Color*	Silver Gray, Bronze, White, Black
Housing	Aluminum Die Cast
Operating Temperature	-40°C ~ 40°C
IP Rating	Wet location

* contact sales for lead time on customized finish color
 † see website for warranty terms

Order Format		Example: BNL-65-50-D-PC							
Series	Wattage	CCT	Voltage	Dimming	Finish*	Control			
BNL	45=45W	40=4000K	Blank=100-277V	Blank=1-10V Dimming*** ND=Non-Dimming	Blank-Silver Gray*	PC = NEMA 3Pin Photocell			
	65=65W	50=5000K			D=Dark Bronze	P7 = NEMA 7Pin Photocell**			
	90=90W				B=Black				
					W=White				

*Silver gray is standard finish color, contact sales for extra lead time
 ** 7 Pin NEMA Photocell by special order only and is not DLC listed. Contact ATG for Information
 *** 1-10V Dimmin gonly available on 90W models

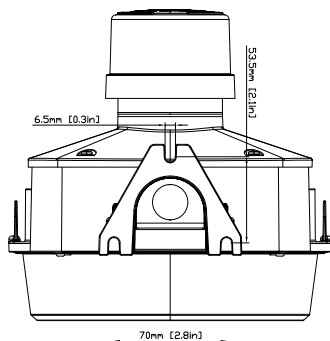
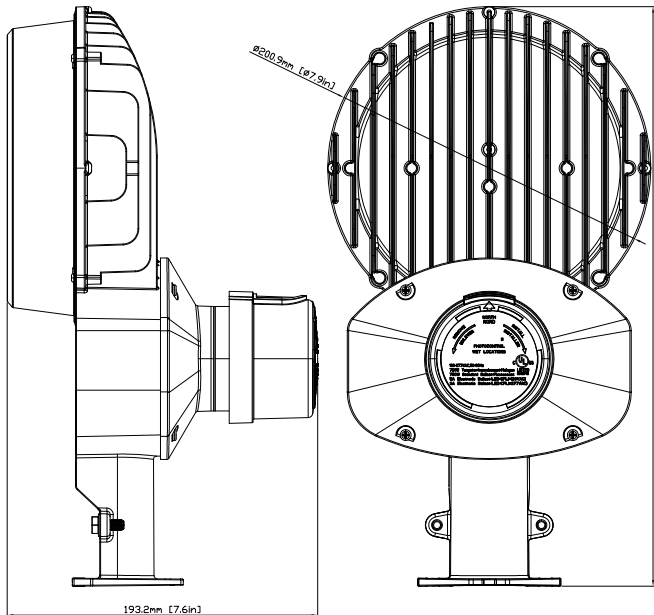
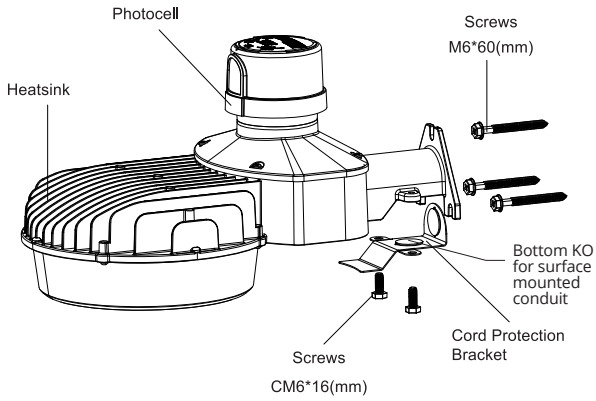
Mounting	
WM	Wall Mount (standard)
AM	Arm Mount (MAM-BNL)**

**Ordered separately

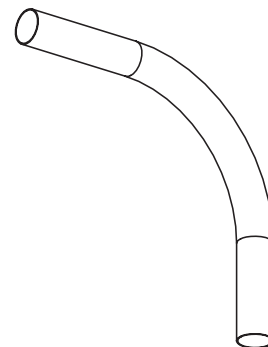
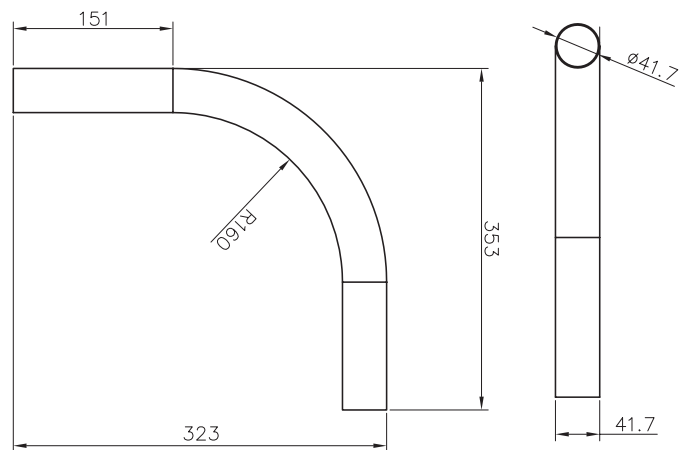
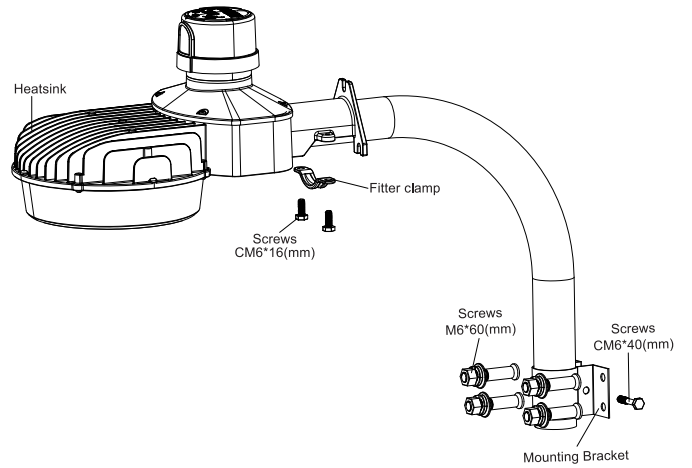
Lumen Data				
Part Number	Wattage	Lumen	Efficacy	Surge Protection
BNL-45-40-PC	45	6170	137	45W: L-N: 2KV, L/N-PE: 4KV
BNL-45-50-PC		6200	138	
BNL-65-40-PC	65	8600	133	65W: L-N: 4KV, L/N-PE: 6KV
BNL-65-50-PC		8800	135	
BNL-90-40-PC	90	12165	136	70W: L-N: 4KV, L/N-PE: 6KV
BNL-90-50-PC		12260	136	

Mounting Kits

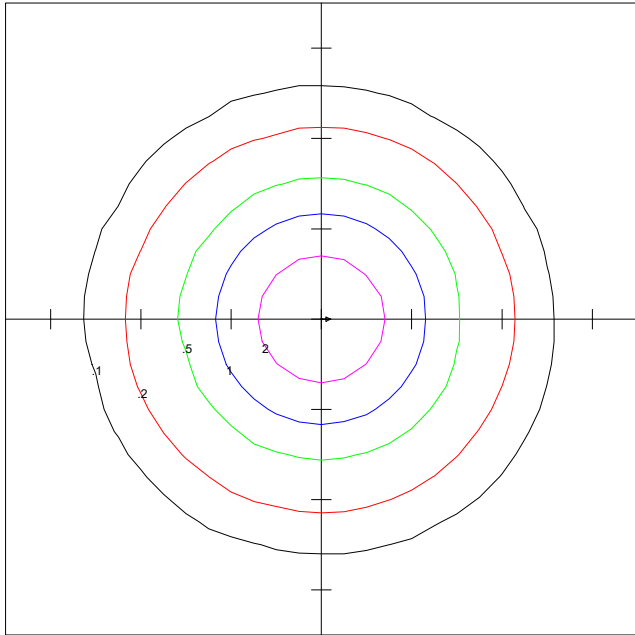
Wall Mount
(Standard)



Arm Mount - Optional
(MAM-BNL)

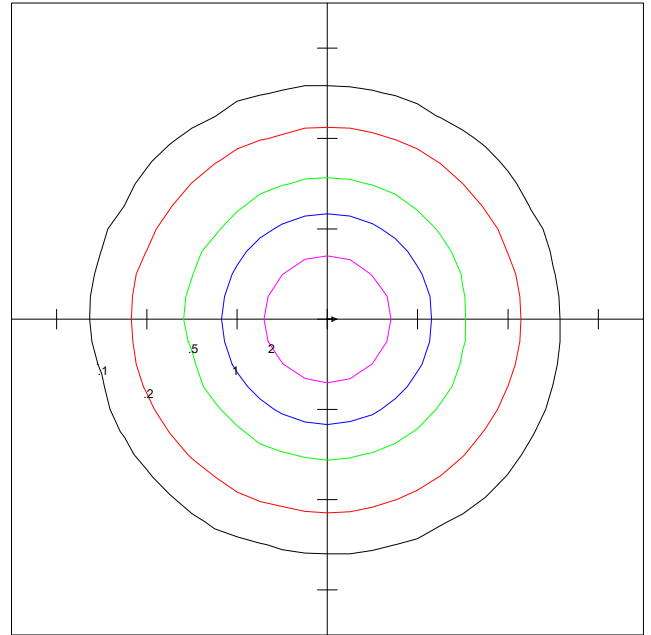


Coverage



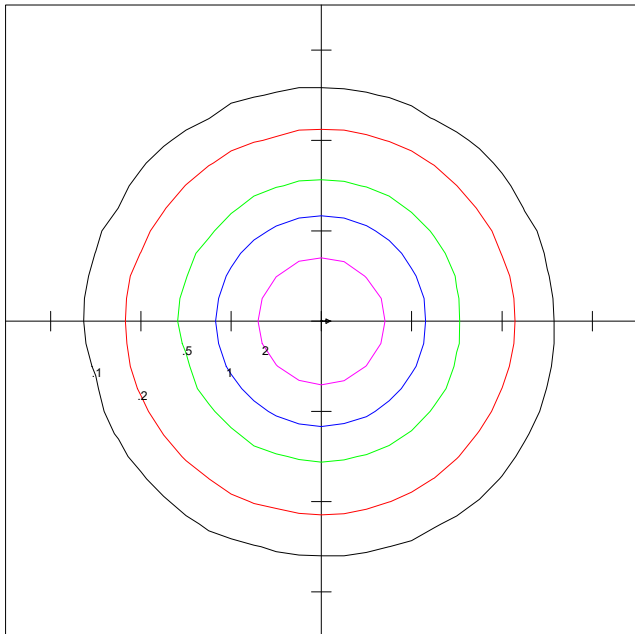
ATG Electronics
BNL-45-50-ND-PC
LED

Horizontal Footcandles
Scale: 1 Inch = 20 Ft.
Light Loss Factor = 1.00
Lumens Per Lamp = 6210.7
Total Lamp Lumens = 6210.7
Mounting Height = 25.00 Ft
Maximum Calculated Value = 3.35 Fc
Arrangement: Single



ATG Electronics
BNL-45-50-ND-PC
LED

Horizontal Footcandles
Scale: 1 Inch = 20 Ft.
Light Loss Factor = 1.00
Lumens Per Lamp = 6210.7
Total Lamp Lumens = 6210.7
Mounting Height = 25.00 Ft
Maximum Calculated Value = 3.35 Fc
Arrangement: Single



ATG Electronics
BNL-45-50-ND-PC
LED

Horizontal Footcandles
Scale: 1 Inch = 20 Ft.
Light Loss Factor = 1.00
Lumens Per Lamp = 6210.7
Total Lamp Lumens = 6210.7
Mounting Height = 25.00 Ft
Maximum Calculated Value = 3.35 Fc
Arrangement: Single