

LED Troffer Series

- CCT Adjustable.
- Power Adjustable.

T1



Description

Venas Troffer features a timeless design preferred by architects, engineers, building owners and other specifiers.

In addition to aesthetics, this series provides high-efficiency general illumination for large, open spaces such as doctor's offices, classrooms, libraries, airports and many other commercial applications.

Benefits

- 100%-safe installation process.
- Delivers balanced direct-indirect illumination with minimal glare.
- Available in 1' x 4', 2' x 2' and 2' x 4' configurations.
- Numerous lumen packages with 3000K, 3500K, 4000K and 5000K color temperature options.
- LED lumen maintenance up to 50,000 hours.
- 0-10V Dimming optional.
- Emergency battery back-up.
- Multiple driver options offer seamless, flicker-free dimming down to 10% or 1%.

Specifications

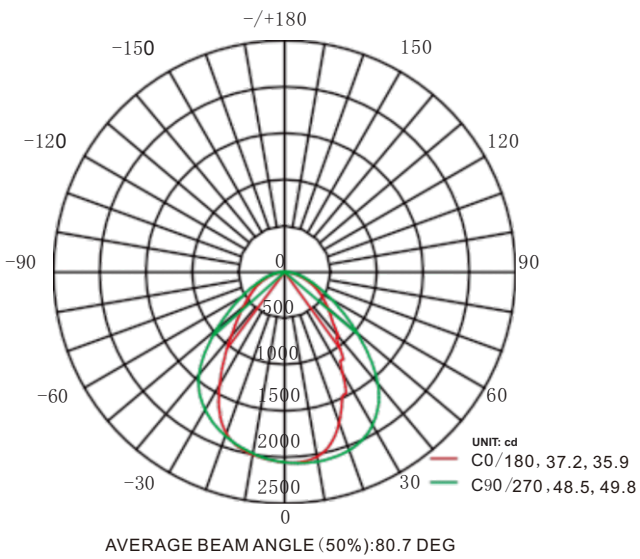
Model	Size	CCT	Wattage	Voltage	Lumens/W	Warranty	CRI
ZY-T1-xxW XDZ	1'x4'	3000K/3500K/4000K/5000K	15W/25W/36W	100-277VAC 100-347VAC	140	5 Years	>80
ZY-T4-xxW XYZ	2'x2'		15W/25W/36W/40W				
ZY-T7-xxW XYZ	2'x4'		15W/20W/25W/30W/36W/50W				

T4

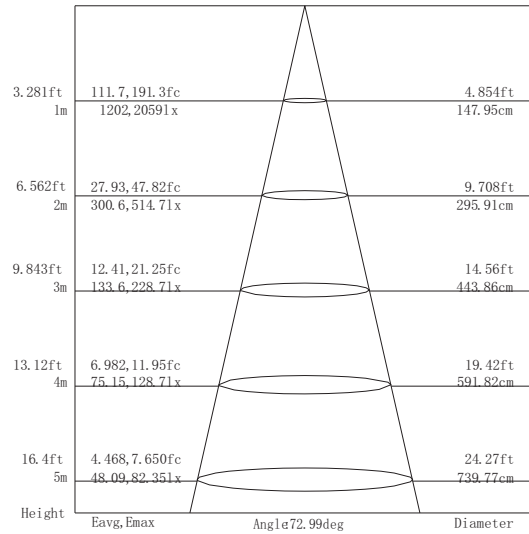


Photometrics

ZY-T7-36W XDZ CCT

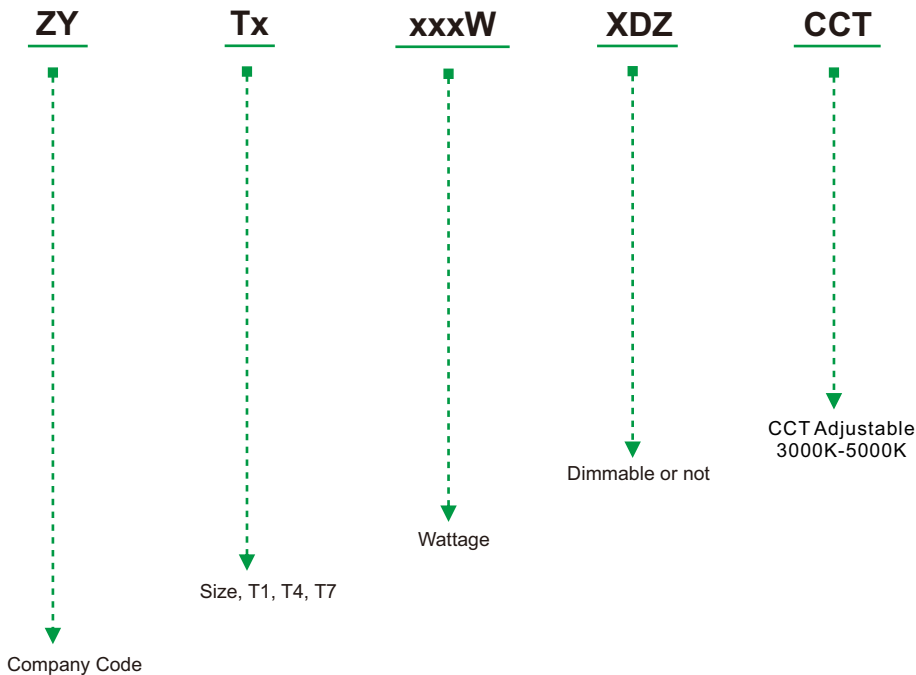


Flux out: 2145 lm



Note: The curves indicate the illuminated area and the average illumination when the luminaire is at different distance

Ordering Information

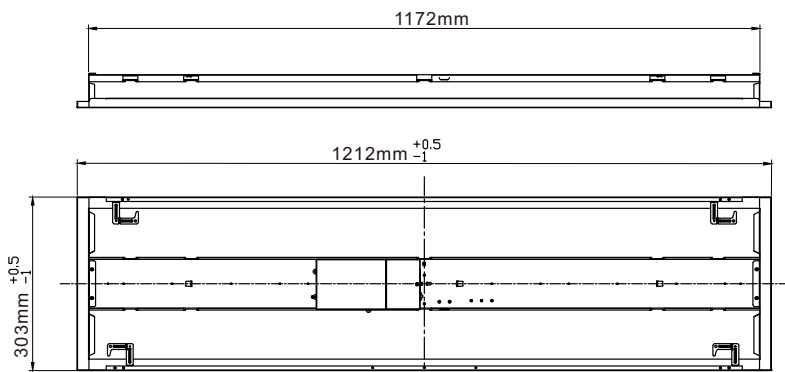


T7

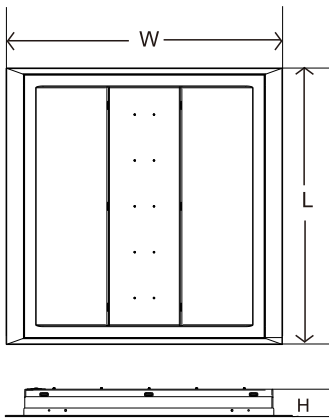


Dimension & Packing

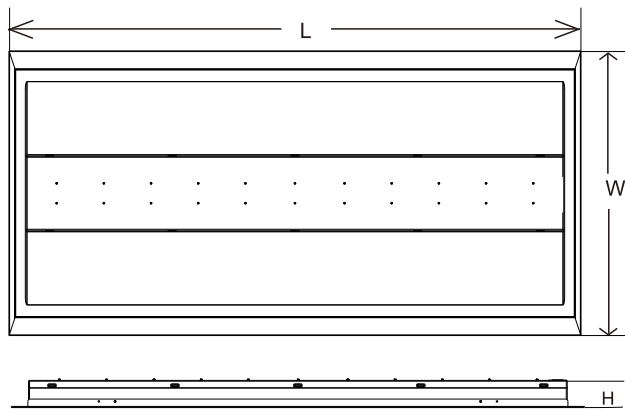
T1: 1ftx4ft



T4: 2ftx2ft



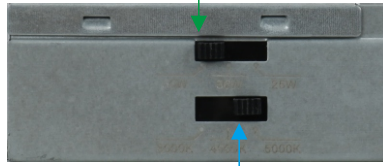
T7: 2ftx4ft



Model	Package Size(mm)	Pcs/PKG	N.W.(KG)	G.W.(KG)
T1	1305×404×175	2	6.5	7.5
T4	700×680×175		14.2	16.1
T7	1305×680×175		23.6	25.7

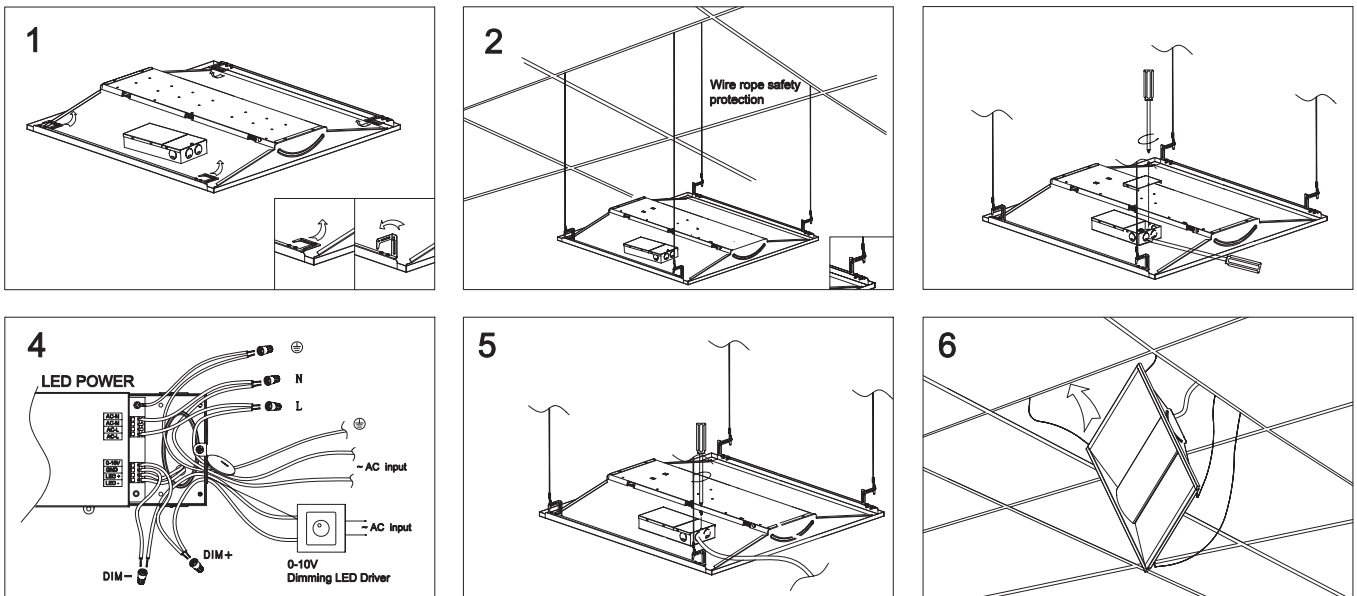
Feature

Power adjustable, 15W-50W



CCT adjustable, 3000K-5000K

Installation



Always turn off the power supply from main circuit breaker first!

1. To avoid the possibility of electrical shock turn off power supply before installation or servicing of this fixture. Remove lens from existing fixture. Slide Universal Frame bracket under the fixture and between the T-Bar.
2. Repeat above step for the other side of the fixture.
3. Place Light Engine Lens Assembly's hinge pins into the universal frame brackets.
4. With the provided self tapping screws attach safety cable into the existing fixture.
5. Wire the ground with a wire nut. Connect incoming power lines to fixture with provided disconnects.
6. Raise the frame and push up into the existing fixture and close the latches. The latch should lock into the previously installed universal frame brackets.

Applications

- Home;
- Office;
- Hotel;
- Airport;
- Train;
- School;
- Library;
- Factory;
- Hospital;
- Warehouse;
- Bus station;
- Supermarket;
- Shopping mall;
- Meeting Room;
- Parking Garage;
- Drop/Grid ceilings;
- Commercial Center;
- Healthcare facilities;
- Residential Buildings.

