



LED Troffer Retrofit Kit

- CCT Adjustable.
- Power Adjustable.

R1



Description

Troffer Retrofit Kit features a timeless design preferred by architects, engineers, building owners and other specifiers.

In addition to aesthetics, this series provides high-efficiency general illumination for large, open spaces such as doctor's offices, classrooms, libraries, airports and many other commercial applications.

Benefits

- 100%-safe installation process.
- The Troffer Retrofit can be installed in under 3 minutes by 1 person.
- Delivers balanced direct-indirect illumination with minimal glare.
- Available in 1' x 4', 2' x 2' and 2' x 4' configurations.
- Numerous lumen packages with 3000K, 3500K, 4000K and 5000K color temperature options.
- LED lumen maintenance up to 50,000 hours.
- 0-10V Dimming optional.
- Emergency battery back-up.
- Multiple driver options offer seamless, flicker-free dimming down to 10% or 1%.

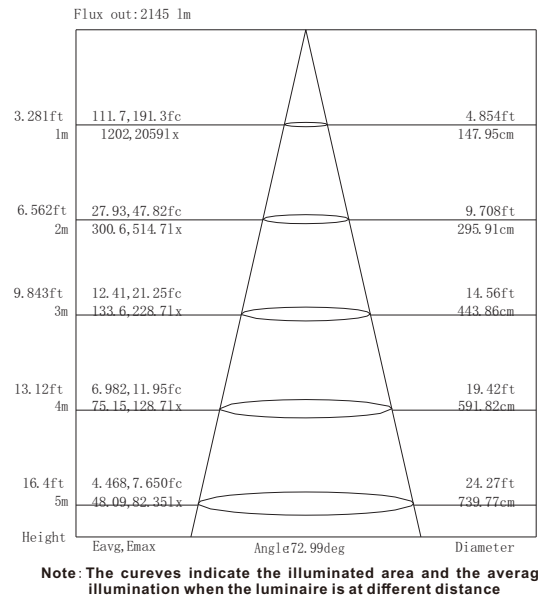
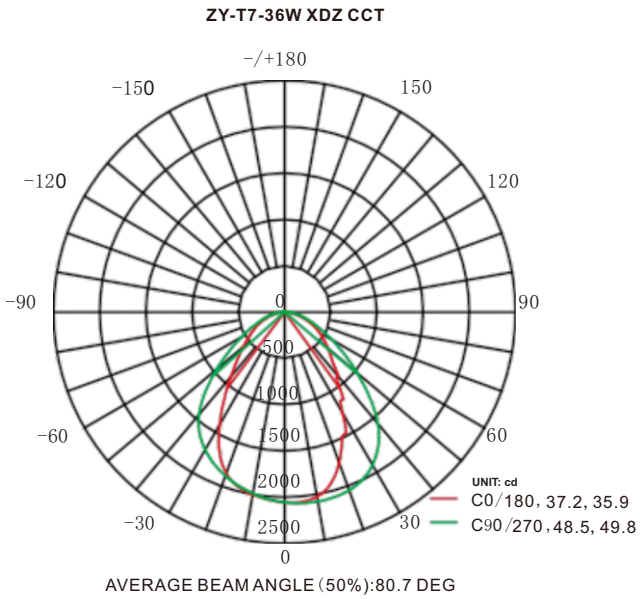
Specifications

| Model | Size | CCT | Wattage | Voltage | Lumens/W | Warranty | CRI |
|---------------|-------|-------------------------|-------------------------|--------------------------|----------|----------|-----|
| ZY-R1-xxW XDZ | 1'x4' | 3000K/3500K/4000K/5000K | 15W/25W/36W | 100-277VAC 100-347VAC | 140 | 5 Years | >80 |
| ZY-R4-xxW XYZ | 2'x2' | | 15W/25W/30W/36W | | | | |
| ZY-R7-xxW XYZ | 2'x4' | | 15W/20W/25W/30W/36W/50W | | | | |

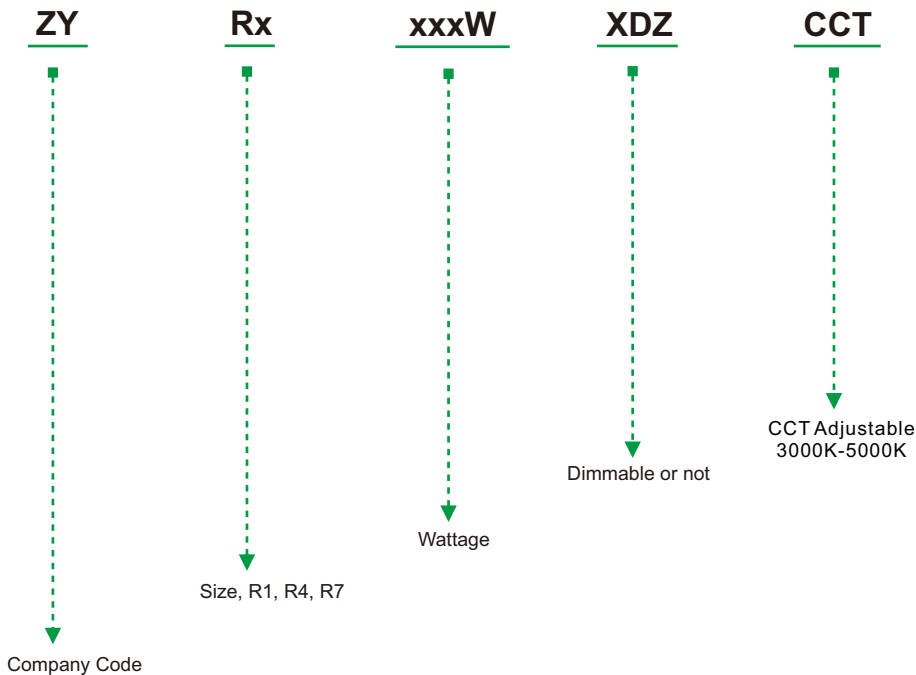
R4



Photometrics



Ordering Information

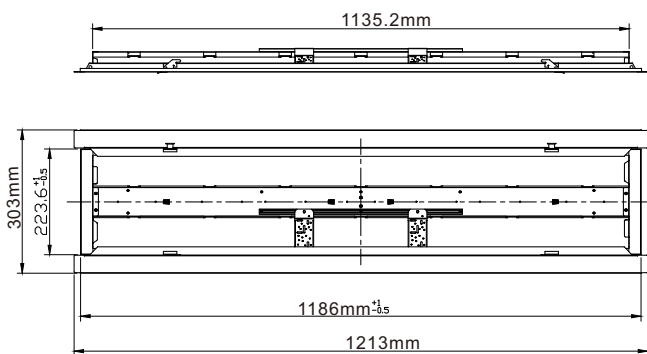


R7



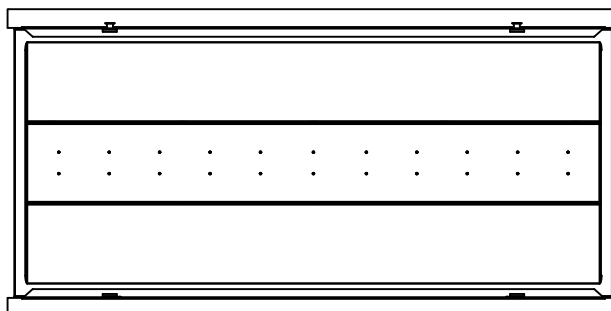
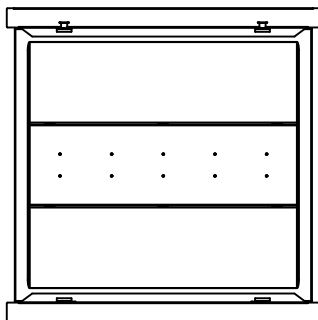
Dimension & Packing

R1: 1ftx4ft



R4: 2ftx2ft

R7: 2ftx4ft



| Model | Dimension(inch) | Package Size(inch) | Pcs/PKG | N.W.(lbs) | G.W.(lbs) |
|-------|-----------------|--------------------|---------|-----------|-----------|
| R1 | 47×8.8×1.96 | 49.6×11.8×6.8 | 2 | 25 | 30 |
| R4 | 22.6×20.97×2.26 | 25.6×23.4×7.5 | | 27.6 | 34.2 |
| R7 | 47×20.97×2.26 | 47.2×23.6×7.5 | | 51.6 | 71.7 |

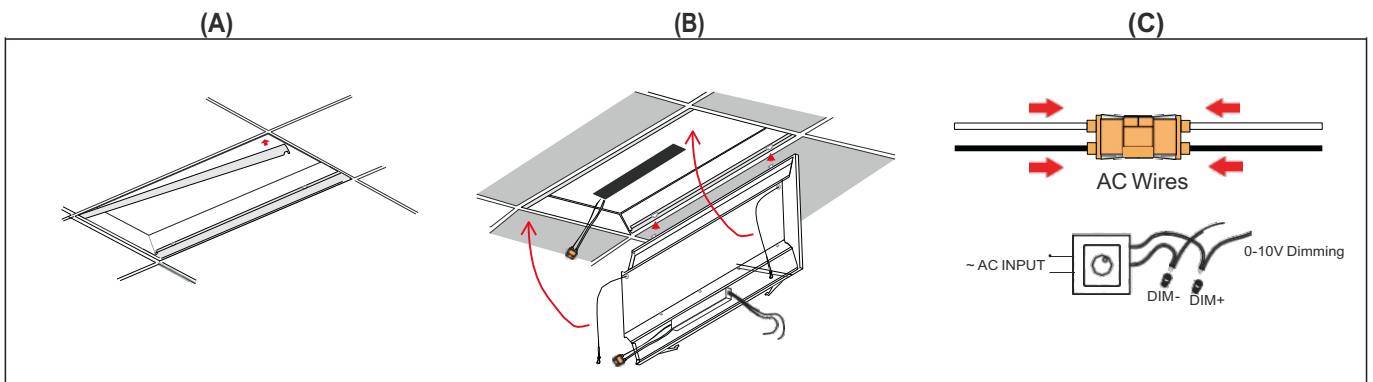
Feature

Power adjustable, 15W-50W



CCT adjustable, 3000K-5000K

Installation



1. Turn OFF power to the fixture at the breaker panel before installation.
2. Open the diffuser from the light fixture.
3. Remove the fluorescent tubes and dispose of these properly as they may contain mercury.
4. Remove the ballast cover and disconnect host fixture ballast from main.
5. Remove existing lamps, door frame (if applicable), reflector and ballast cover. Depending on clearance space, ballast may need to be removed.
6. Slide in both mounting brackets between the housing and the T-grid (A).
7. Hang the retrofit kit body by hooking the T-hinges into the slots and attach the safety cables to the opposing bracket (B).
8. Connect AC wires and/or dimming wires (C).
9. Close door kit pushing it up and securing the bracket with the latches.
10. Switch ON power to the fixture at the breaker panel.