

Post Top Area Light TP500



-Overview:

This post top area light is a high-wattage fixture , comes in 150w to 300w , which is an excellent supplement for small wattages in the market .

Type V optics produce a round distribution which is perfect for parking lots and pathways. Cutting edge LED technology provides maintenance-free operation combined with significant reduction in energy consumption. Add all that to a standard tenon top pole and you've got a simple and effective lighting solution.

- Application

With IES classification Type V, this led area light distributes light in a wide and uniform 360° pattern that is perfect for large outdoor areas such as parking lots, corporate parks, and retail settings.

-Qualifications

UL Listed:E356272

Suitable for Wet Locations

-IESNA LM79 & LM-80 Testing:

LED luminaires have been tested by an independent laboratory in accordance with IESNALM-79 and LM-80

-DLC Qualification:

Selected models of this product are on the DesignLights Consortium (DLC) Qualified Products List and are eligible for rebates from DLC Member Utilities. To view our DLC qualified products, please consult the DLC Qualified Products List at www.designlights.org/qpl

-Construction

IP Rating:

Ingress Protection rating of IP65 for dust and water

Ambient Temperature:

Suitable for up to 122° F (50° C) ambient temperature

Cold Weather Starting:

The minimum starting temperature is -4°F /-20°C

Housing:

Bronze or Black Aluminum

Mounting Methods:

2" to 3" Pole top mount (refer to the dimensions on page 3)

Green Technology:

Mercury and UV free, and RoHS compliant. Polyester powder coat finish formulated without the use of VOC or toxic heavy metals.

Gaskets:

Silicon Gaskets

Lens:

PC lens , Type V distribution.

Finish:

Our environmentally friendly polyester powder coating are formulated from high-durability and long-lasting color, and contains no VOC or toxic heavy metals.

-LED Characteristics**LEDs:**

Multi-chip, high-output, long-life LEDs Color

Stability:

LED color temperature is warrantied to shift no more than 200K in CCT over a 5 year period.

Color Temp:

3000 K(Warm white), 4000 K (Natural white), 5000 K(Daylight)

Uniformity:

Range of CCT follows the guidelines of the American National Standards for the Specifications for the Chromaticity of Solid State Lighting (SSL) Products ,ANCI c78.377.2011

Color Rendering Index:

>70

-Electrial

Drivers:

100-277V, 50-60Hz,

Power Factor > 0.9

THD<15%

(HV option)

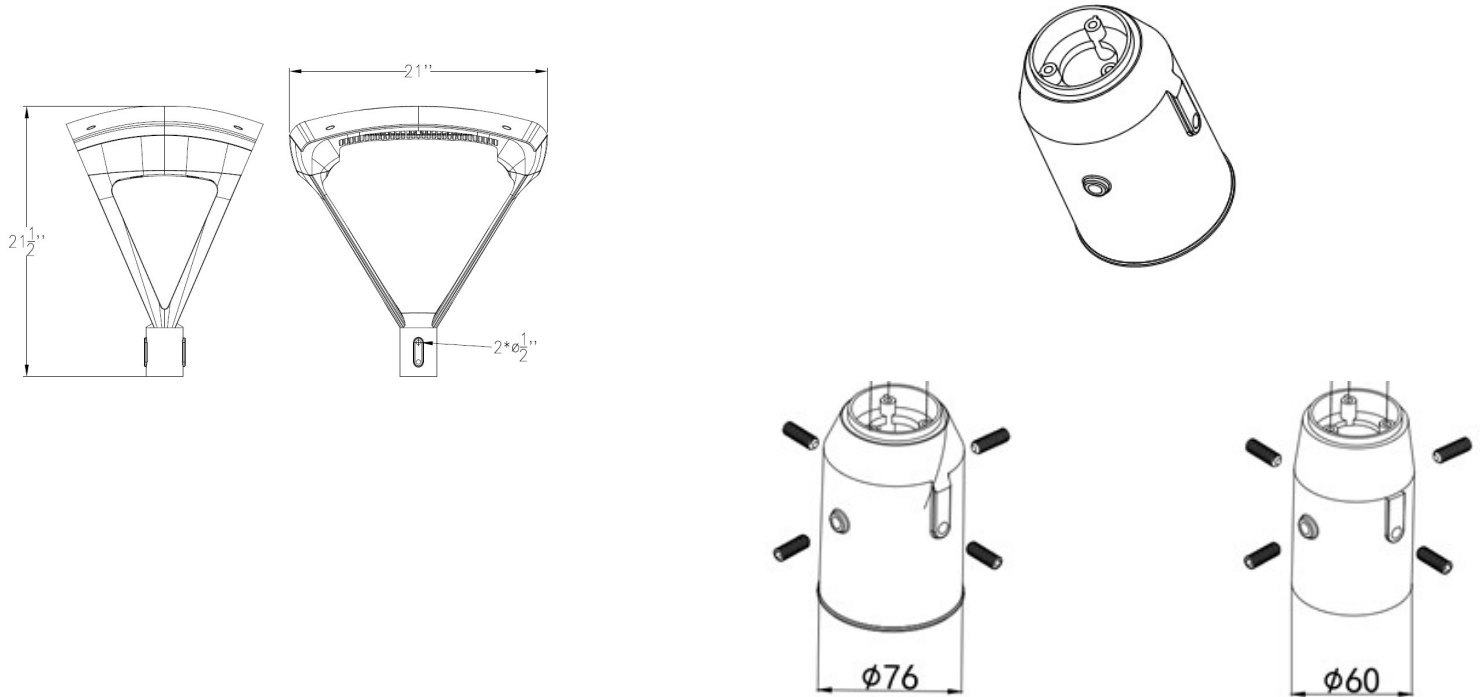
Input Voltage: 347-480Vac, 50-60 Hz

Power Factor: >0.9

-Ordering Matrix

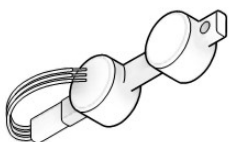
Model	Wattage	Lumens			G.W	Carton size
		3000K	4000K	5000K		
YR-TP500-W150	150	17250	18750	19500	36 LBS	25in*24in*20in
YR-TP500-W200	200	23000	25000	26000	36 LBS	25in*24in*20in
YR-TP500-W300	300	34500	37500	39000	38 LBS	25in*24in*20in

-Dimensions



-Accessories

Surge Protector (Optional)



The SPD prevents downtime, improves reliability, and eliminates possible damage to luminaires. This the surge protector option for the luminaire has the maximum discharge current of 10,000A, and nominal discharge current of 3,000 A.