

# 6th

# GEN Slim LED Area Light

50W / 100W / 150W / 200W / 240W / 300W



## Specifications

Input Power	50W / 100W / 150W / 200W / 240W / 300W (fixed) or Wattage tunable
Lumen	7000LM / 14000LM / 21000 LM / 28000LM / 33600LM / 42000LM
Input voltage	AC100-277V 50/60Hz
Lumen Efficacy	140LM/W
PF	> 0.9
Color Tempreture	30K/40K/50K/5700K(fixed) or CCT tunable
CRI	70/80
THD	≤20%
Housing Color	Bronze As Standard , Black / Silver / White Optional
Waterproof Rating	(WET) IP65
Operating Temperature	-40 C TO -45 C
Operating Humidity	10%-90% RH
Storage Temperature	-20 C TO +60 C
Storage Humidity	10%-90% RH
Warranty Time	5years

# Features



Power Select



Motion sensor



Photocell sensor

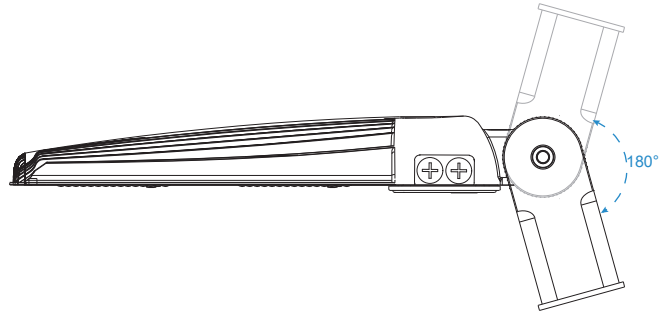
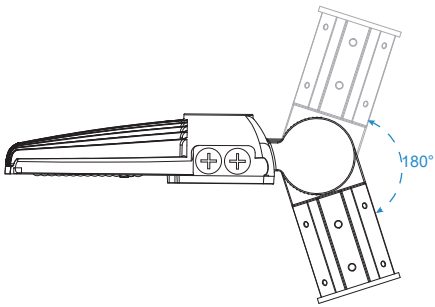


ADC12 Die casting

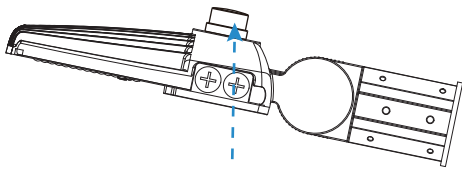


CCT Select

## Bracket Angle 180°adjustable

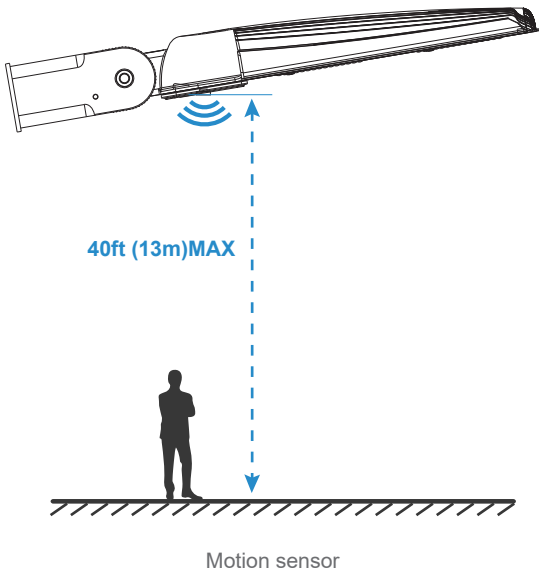


## 3 Pin / 5 Pin / 7 Pin Twist Lock Photocell Optional

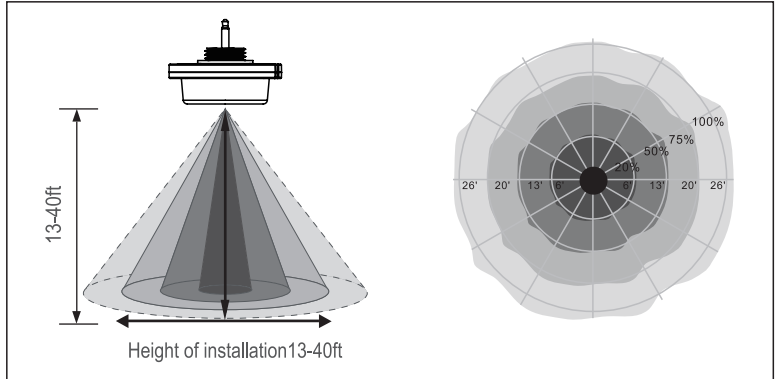


NEMA photocell sensor

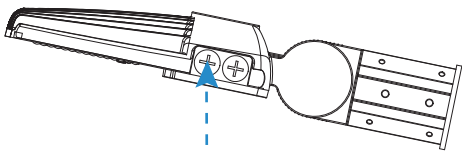
## Bi-level Microwave Sensor Optional



## SENSOR COVERAGE



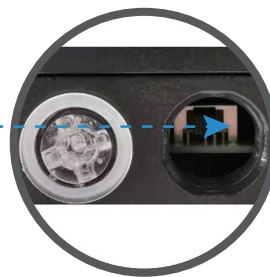
## DIP switch design, CCT and Wattage Tunable



### Power select

100W 120W 150W  
200W 240W 300W

1	2	<b>3</b>
---	---	----------



### CCT select

30K	40K	50K
1	2	<b>3</b>

## Compatible With Different Mount Brackets



## Applications



Shopping Centers



Auto Dealership



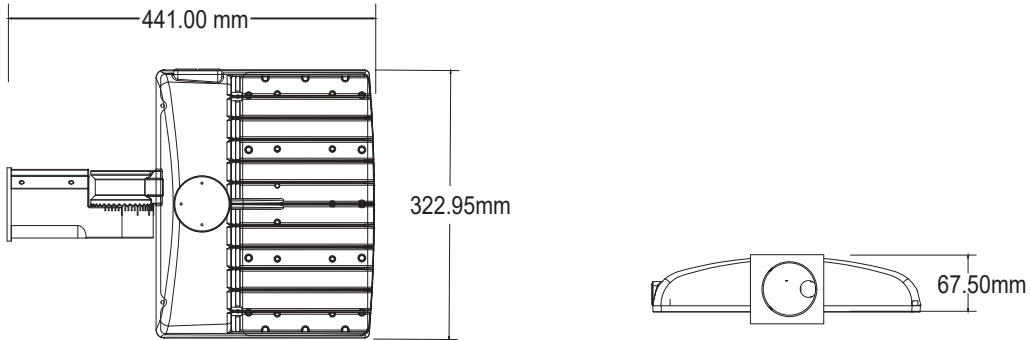
Sport Fields



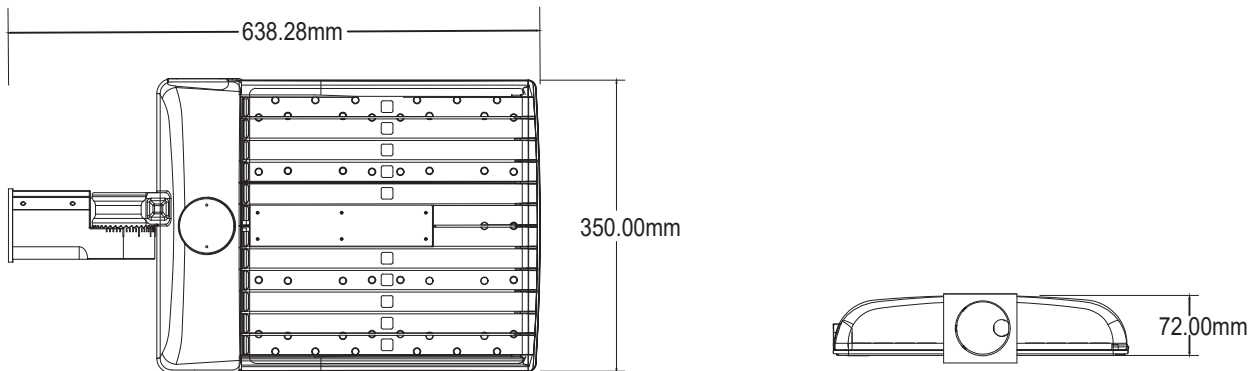
Roadways

## Dimension Drawings

### Dimension 1: (50W~150W)

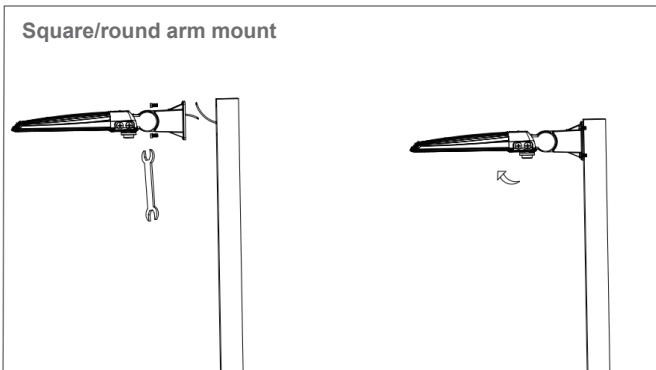


### Dimension 2: (200W~300W)

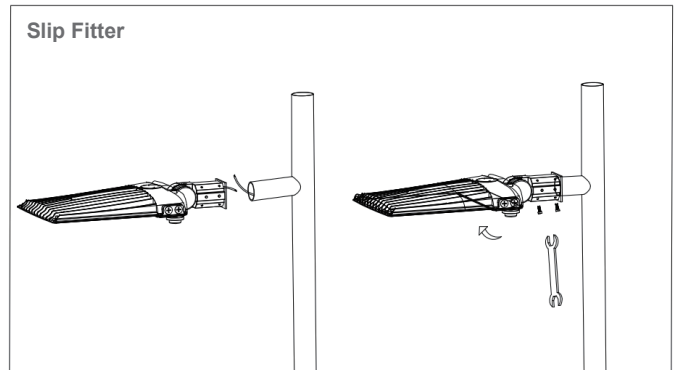


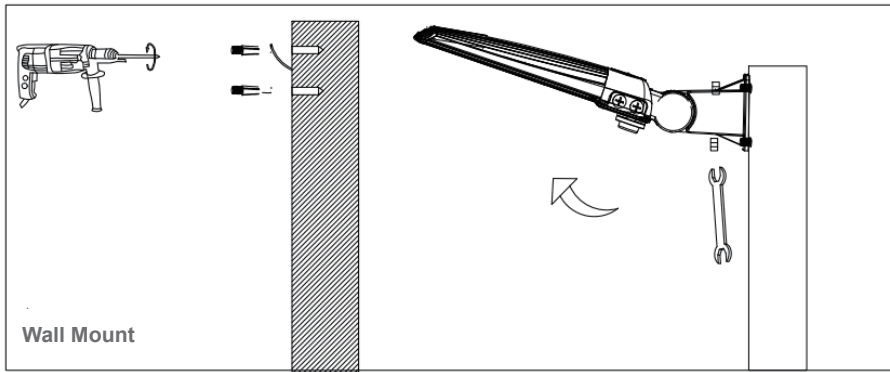
## Installation

### Square/round arm mount



### Slip Fitter

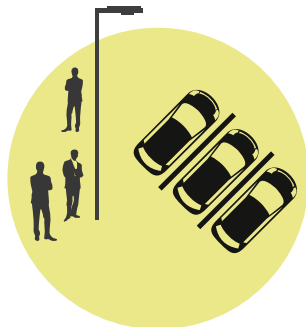
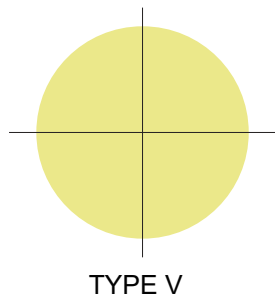
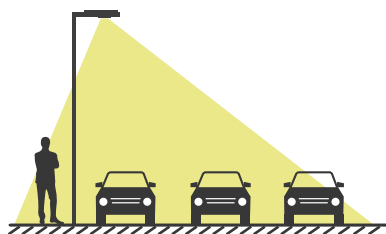
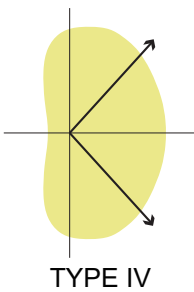
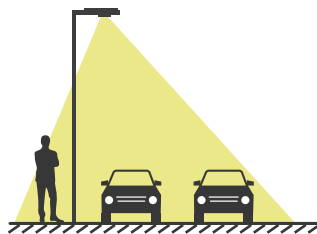
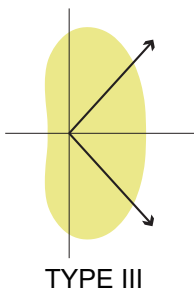




## Options For Optic Lens

Type III ,Type IV ,Type V and flood lens optional

### Lens Ordering Matrix



#### Lens Distribution

T5

- T3 = Type III ( 90°X 140° )
- T4 = Type IV ( 100° X 140° )
- T5 = Type V (120°)
- 60 = \*Flood (60°)
- 30 = \*Flood (30°)

Flood Light Lens contain a Type V lighting distribution; typically used in applications with low mounting heights.

#### LENS QUANTITY PER FIXTURE

QTY: 1 for 50W                      QTY: 1 for 100W / 150W  
 QTY: 2 for 200W / 240W        QTY: 2 for 300W

## Packaging information

Wattage	Product Size(mm/in)	Package Size(mm/in)	N.W (Kg/lbs)	G.W (Kg/Lbs)	QTY
50W	441 x 323 x 67.5 mm 17.4 x 12.7 x 2.66 in	378 x 352 x 123mm 15 x 14 x 5in	2.7Kg(6 lbs)	3.8kg(8.5 lbs)	1 PCS
100W	441 x 323 x 67.5 mm 17.4 x 12.7 x 2.66 in	378 x 352 x 123mm 15 x 14 x 5in	2.7Kg(6 lbs)	3.8kg(8.5 lbs)	1 PCS
150W	441 x 323 x 67.5 mm 17.4 x 12.7 x 2.66 in	378 x 352 x 123mm 15 x 15 x 5in	2.7Kg(6 lbs)	3.8kg(8.5 lbs)	1 PCS
200W	638 x 350 x 72 mm 25.1 x 13.8 x 2.83 in	580 x 410 x 130 mm 23 x 16.2 x 5.2 in	5.7 Kg(12.6 lbs)	6.4kg(14.2lb)	1 PCS
240W	638 x 350 x 72 mm 25.1 x 13.8 x 2.83 in	580 x 410 x 130 mm 23 x 16.2 x 5.2 in	5.7 Kg(12.6 lbs)	6.4kg(14.2lb)	1 PCS
300W	638 x 350 x 72 mm 25.1 x 13.8 x 2.83 in	580 x 410 x 130 mm 23 x 16.2 x 5.2 in	5.7 Kg(12.6 lbs)	6.4kg(14.2lb)	1 PCS

