

# Forward Throw LED Wall Pack



## - Overview:

WL266 LED wall packs with traditional external design but modern internal for all general wall mount applications. The fixture is IP65 rated and is offered in various color temperatures, and optional photocell sensor offers more energy saving. This wall pack is a combination of classic design and high efficacy.

## - Application

This light can be used for outdoor/indoor applications to be installed onto building walls typically.

## -Qualifications

**ETL Listed:4009701**

Suitable for Wet Locations

## -Construction

### IP Rating:

Ingress Protection rating of IP65 for dust and water

### Ambient Temperature:

Suitable for up to 50° C ambient temperature

### Cold Weather Starting:

The minimum starting temperature is -45°C

### Thermal Management:

Superior thermal management with external Air-Flow fins.

### Housing:

Bronze or Black Aluminum

### LENS

Polycarbonate or Glass

### Mounting Methods:

Surface mount.

### Green Technology:

Mercury and UV free, and RoHS compliant. Polyester powder coat finish formulated without the use of VOC or toxic heavy metals.

### Gaskets:

Silicon Gaskets

**Finish:**

Our environmentally friendly polyester powder coating are formulated from high-durability and long-lasting color, and contains no VOC or toxic heavy metals.

**-LED Characteristics****Lifespan:**

100,000-hour LED lifespan based on IES LM-80 results and TM-21 calculations.

**LEDs:**

Multi-chip, high-output, long-life LEDs Color

**Stability:**

LED color temperature is warrantied to shift no more than 200K in CCT over a 5 year period.

**Color Temp:**

3000 K(Warm white), 4000 K (Natural white), 5000 K(Daylight)

**Uniformity:**

Range of CCT follows the guidelines of the American National Standards for the Specifications for the Chromaticity of Solid State Lighting (SSL) Products ,ANCI c78.377.2011

**Color Rendering Index:**

>70

**-Electrial**

Drivers:

120-277V, 50-60Hz, 200-480V optional

Power Factor > 0.9

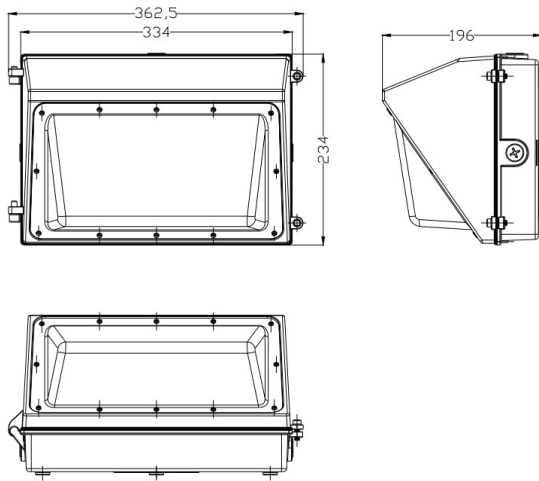
THD<15%

**-Ordering Matrix**

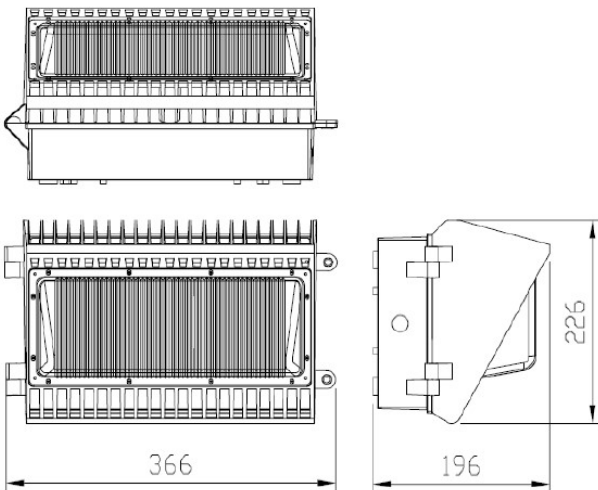
| Model         | Watts(W) | Lumens |       |       | G.W   | Package Size |       |       |
|---------------|----------|--------|-------|-------|-------|--------------|-------|-------|
|               |          | 3000K  | 4000K | 5000K |       | L(mm)        | W(mm) | H(mm) |
| YR-WL266-W40  | 40       | 4400   | 5000  | 5200  | 3.6KG | 400          | 280   | 235   |
| YR-WL266-W60  | 60       | 6600   | 7500  | 7800  | 3.6KG | 400          | 280   | 235   |
| YR-WL266-W80  | 80       | 8800   | 10000 | 10400 | 4.0KG | 400          | 280   | 235   |
| YR-WL266-W100 | 100      | 11000  | 12500 | 13000 | 4.0KG | 400          | 280   | 235   |
| YR-WL266-W120 | 120      | 13200  | 15000 | 15600 | 4.5KG | 400          | 280   | 235   |
| YR-WL266-W150 | 150      | 16500  | 18750 | 19500 | 6.5KG | 385          | 285   | 255   |

## - Dimensions

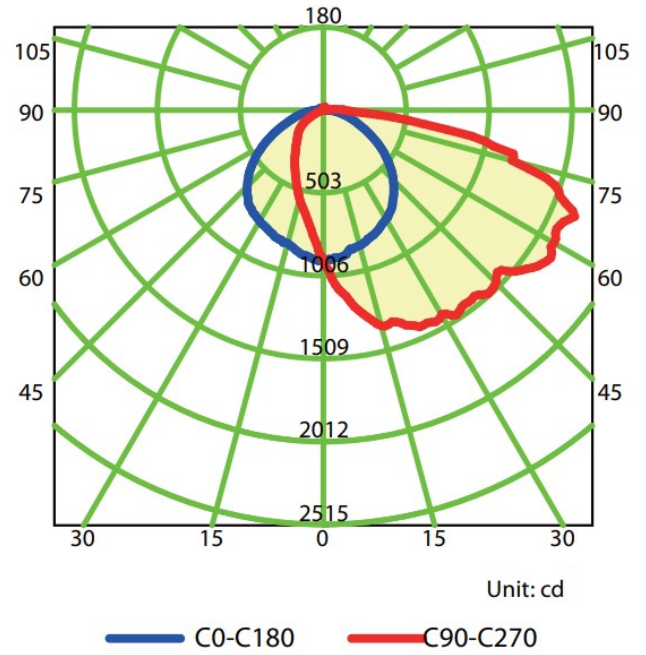
### 40W-100W



### 150W



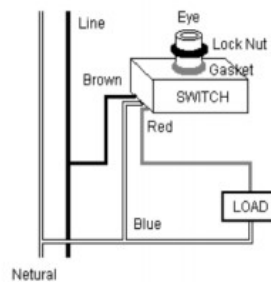
## Polar Candela Distribution



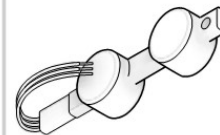
## - Additional

### Photocell (Optional)

It is a Standard photocell switch which is installed on the top of the Fixtures. Once the photocell is installed, the wall pack will automatically turn on and off ,dusk to dawn



### Surge Protector (Optional)



The SPD prevents downtime, improves reliability, and eliminates possible damage to luminaires. This the surge protector option for the luminaire has the maximum discharge current of 10,000A, and nominal discharge current of 3,000 A.