

WALL PACK



Product Description

LED Half Cutoff Wall Pack Is Designed To Replace Traditional MH / HPS Wall Pack, Using Well Sealed Die-Casting Aluminum Housing, Glass Lense Or Polycarbonate Optical Lense Available. Easy Install, With Dimming Function. Photocell Available. Ranging From 41- 150W.

Application

Outdoor Building, Wall Area And Security Lighting Areas etc



Electric Characteristic

Specification/Model	LS-WP41W	LS-WP60W	LS-WP80W	LS-WP100W	LS-WP120W	LS-WP150W
LED Chips	Philip3030					
Input power	41W	60W	80W	100W	120W	150W
Lumens output	4800-5200LM	7700-7800LM	9600-10400 lm	12000-13000lm	15000-16000 lm	18000-19500LM
Efficiency	120-130M/W	120-130LM/W	120-130lm/w	120-130 lm/W	120-130LM/W	120-130LM/W
CRI	71Ra					
Color Temperature	3000/4000K/5000K					
Input voltage	100-277V UL Driver					
Lighting beam	120D					
Power Factor	0.9					
Total Harmonic Distortion	13.4%					
lamps efficiency	90%					
Certificates	ETL,CETL,DLC					
Equivalent	100-150W MH/HPS	150-200W MH/HPS	250-300W MH/HPS	300-350W MH/HPS	350-450W MH/HPS	450-600W MH/HPS

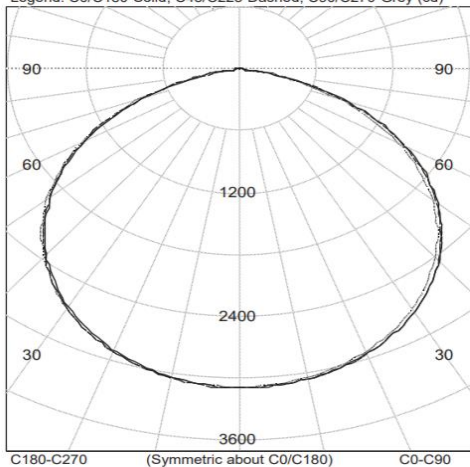
Ordering Information

Exsample:LS-WP41W-30K-N-T

Product	Power	Replacement	Color Temperature	Photocell	Furnish
LS-WP41W(5000K)	41W	100-150W MH/HPS	30K=3000K 40K=4000K 50K=5000K	N not photocell Y yes photocell	WP=Wall Pack
LS-WP60W(5000K)	60W	150-200W MH/HPS			
LS-WP80W(5000K)	80W	250-300W MH/HPS			
LS-WP100W(5000K)	100W	300-350W MH/HPS			
LS-WP120W(5000K)	120W	350-400W MH/HPS			
LS-WP150W(5000K)	150W	450-600W MH/HPS			

Photometri

Legend: C0/C180-Solid, C45/C225-Dashed, C90/C270-Grey (cd)



INTENSITY SUMMARY (cd)

Gamma	C-Plane					Flux (lm)
	C0	C22.5	C45	C67.5	C90	
0.0	3095	3095	3095	3095	3095	
5.0	3084	3103	3089	3081	3074	293
10.0	3055	3075	3059	3047	3041	
15.0	3005	3025	3009	2996	2986	846
20.0	2934	2954	2934	2923	2909	
25.0	2839	2860	2838	2827	2808	1301
30.0	2723	2741	2721	2710	2687	
35.0	2582	2598	2577	2567	2543	1598
40.0	2417	2432	2410	2399	2372	
45.0	2228	2240	2218	2202	2176	1685
50.0	2012	2020	1997	1977	1952	
55.0	1767	1771	1748	1726	1700	1526
60.0	1492	1493	1469	1447	1419	
65.0	1189	1185	1159	1141	1119	1109
70.0	864	847	830	821	795	
75.0	514	512	507	497	473	500
80.0	227	123	208	215	202	
85.0	6	4	20	22	22	45
90.0	0	0	0	0	0	

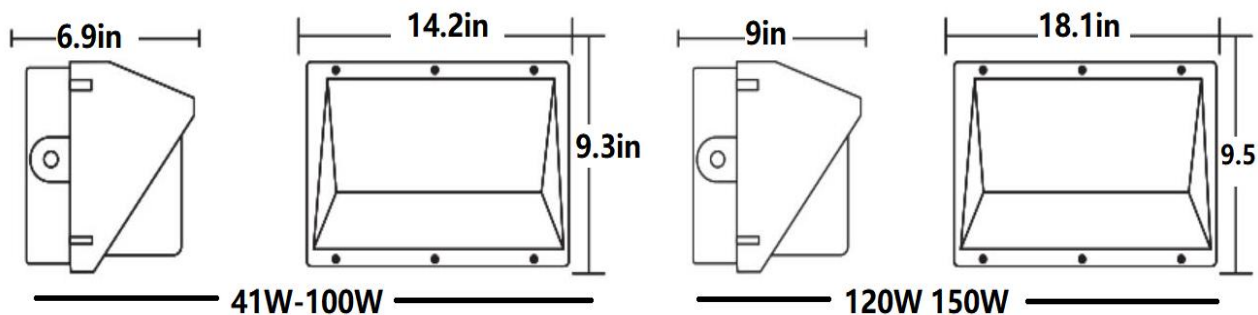
ZONAL FLUX AND PERCENTAGES

Projected LED Lumen Maintenance

Operating hours	0	25000	50000
Lumen maintenance factor	1	0.91	0.8

Data references the extrapolated performance projections for the WALLPACK LED platform in a 25°C ambient, based on 10,000 hours of LED testing (tested per IESNA LM- 80-08 and projected per IESNA TM-21-11)

Dimensions:



After sale Service:

The product refers to electricians knowledge. Please don't disassemble it by yourself. If any quality problem happens, please contact the factory for warranty details

NOTE: Actual performance may differ as a result of end-user environment and application. All values are without notice