

150W LED Street Light



Features

- Lumileds LED, high luminous efficiency and long working life.
- High efficiency LED Driver, the wide range input voltage AC100-277V.
- Die Cast aluminium cooling design, high quality and better cooling for LED $T_j < 85^{\circ}\text{C}$.
- Excellent Optics design, greatly improve the light utilization and evenness.
- Motion sensor Control Available (Option)

Product Applications

WISDOM LED Street Light series can be widely used in outdoor lighting (Wet location), Excellent for Museums, Art Galleries, Shopping Malls, Underground parking lot, Buildings, The lawn, Industrial areas, Residential areas, Sidewalks, Parking lot, Schools, Gardens and etc, and many more applications.

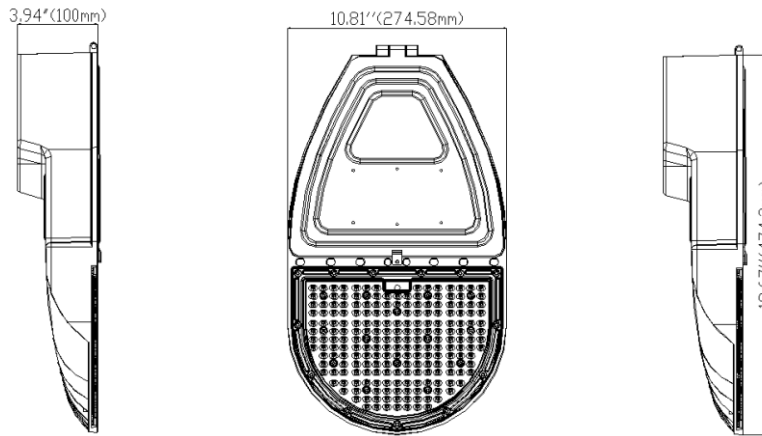


Specifications

Unit : inch(mm)

Structure Features

- Shell materials: Aluminum & PC.
- Finish: Dark Bronze/Silver
- Net weight : 4.5Kg (9.9 lbs)
- Product Size:474.2mm*274.58mm*100mm
- Carton Size:536mm*347mm*170mm

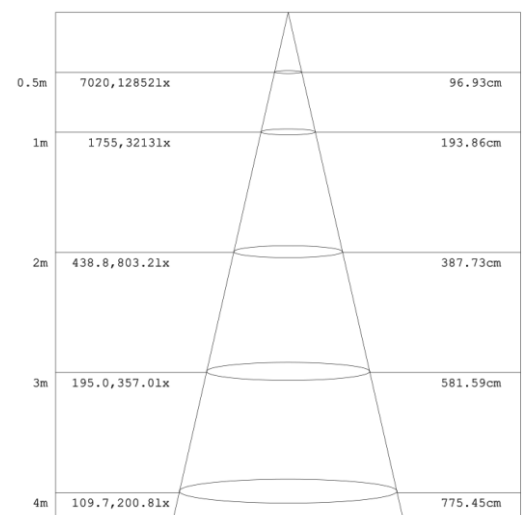
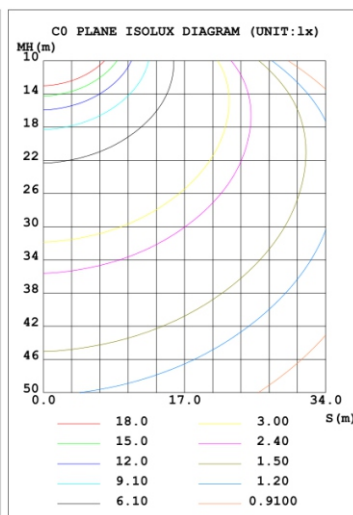
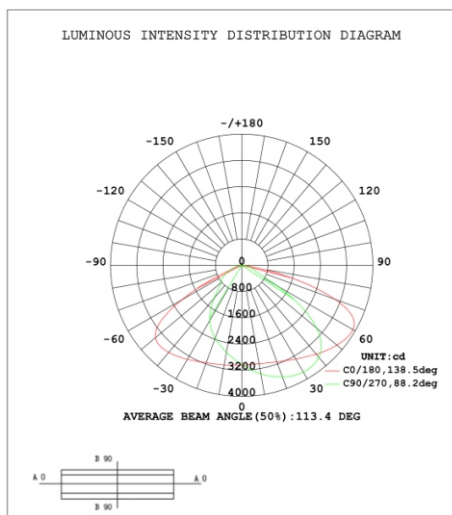


Technical Parameters

WSD-ST15W27-XXK-S-P

Power	150W	Lighting Angle	85*140°
Input Voltage	AC100-277V	LED Brightness Decay	<5%/6000 hrs
PF	>0.95	Working Life	>50000 hrs
Driver Efficiency	>90%	Working Temperature	-30 - +45°C
Luminous Flux	17367 Lm	Storage Temperature	-40 -+80°C
Color Temperature	3000K/4000K/5000K/5700K/6500K	Protection Level	Wet Location/IP65
CRI	Ra>80	Cable	Input Connect, 0.6m
Optional dimming function	1-10Vdc	Adapter specification	ST-ADP2.5-3

Photometry



Example:WSD-ST15W27-XXK-S-P-M

WSD	ST	15W	27	50K	S	P	M	1-10V
Company	Product	Power	Voltage	Color Temp	Finish	Photocell	Motion sensor	Option
	ST	10W(100W)	27	30K(3000K)	S	P120-277V	M	
WISDOM	Street Light	15W(150W)	AC100-277V	40K(4000K)	Silver	P347	Motion sensor	
				50K(5000K)	W	P480		
				57K(5700K)±500K	White			