

# 10W/15W

## WALL PACK LIGHT



### PRODUCT FEATURES:

- ❖ Optical design, greatly improved the light utilization and evenness.
- ❖ High efficiency LED Driver, voltage AC120-277.
- ❖ Cast Aluminum design, better cooling, light quality, LED Tj < 85°C.
- ❖ The 1-10V Dimming typel.
- ❖ Photocell Control ( Optional ).



MODEL #	
PROJECT:	
NOTES:	
DATE:	
PREPARED BY:	

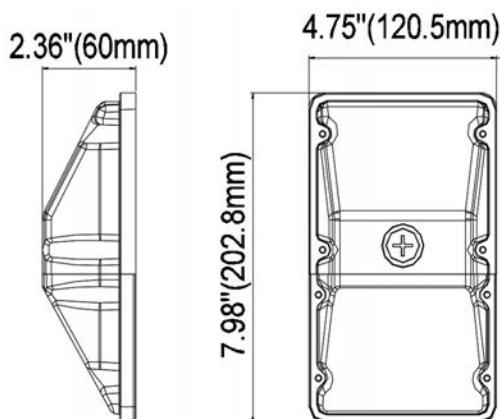
### Additional Information:

- Power: 10W/15W
- CCT : 4000K/5000K
- Light Source: LUMILEDS
- Driver: KERHAM POWER



### PRODUCT APPLICATIONS:

The WALL PACK LED Lighting Series can be widely used for Indoor or Outdoor (Wet Location) Excellent for Museums, Art Galleries, Shopping Malls, Office Buildings, Walls and many other applications.

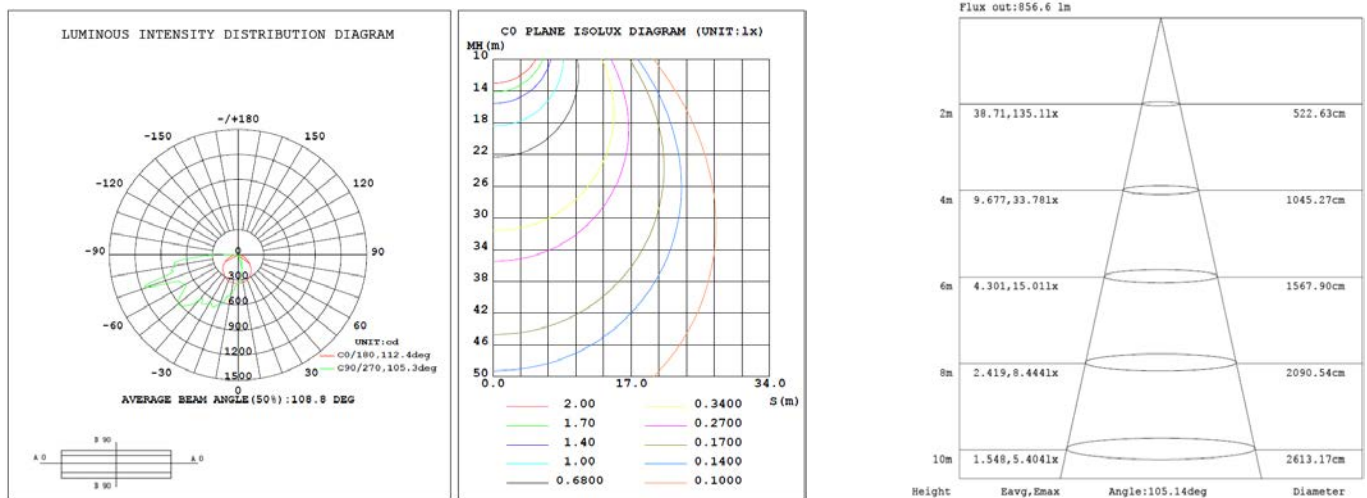


### Structure Features:

- Shell Materials: Aluminum & PC
- Finish: Dark Bronze/White/black/Silvery
- Net Weight: 0.57KG (1.26 LBS)
- **Product Size: 202.8mmX120.5mmX60mm (7.98"x4.75"x2.36")**
- **Carton Size: 545mmX230mmX270mm (A case of twelve) (21.46"x9.06"x10.63")**

**10W/15W****WALL PACK LIGHT****TECHNICAL PARAMETERS:**

<b>Type</b>	<b>WSD-WP01W27-XXK-Z-Y/WSD-WP015W27-XXK-Z-Y</b>		
<b>Power</b>	10W/15W	<b>Lighting Angle</b>	108°
<b>Input Voltage</b>	AC120-277V	<b>LED Brightness Decay</b>	<5%/6000 hrs
<b>PF</b>	>0.95	<b>Working Life</b>	>75000 hrs
<b>Driver Efficiency</b>	>88%	<b>Working Temperature</b>	-30 - +45°C
<b>Luminous Flux</b>	1450 Lm/2100 Lm	<b>Storage Temperature</b>	-40 -+80°C
<b>Color Temperature</b>	4000K/5000K	<b>Protection Level</b>	Wet Location
<b>CRI</b>	Ra>70	<b>Cable</b>	Input Connect, No Cable

**PHOTOMETRY:****ORDERING EXAMPLE: WSD-WP01W27-XXK-Z [D, W, B, S] -Y [blank, p]**

<b>WSD</b>	<b>WP</b>	<b>01W</b>	<b>27</b>	<b>XXK</b>	<b>Z</b>	<b>Y</b>
<b>Company</b>	<b>Product</b>	<b>Power</b>	<b>Voltage</b>	<b>ColorTemp</b>	<b>FINISH</b>	<b>Control</b>
<b>WSD LED INC</b>	<b>WP</b> Wall Pack	<b>01W</b> (10W) <b>015W</b> (15W)	AC120-277V	<b>40K</b> (4000K) <b>50K</b> (5000K) <b>± 500K</b>	<b>D</b> (Dark Bronze) <b>W</b> (White) <b>B</b> (Black) <b>S</b> (Silvery)	<b>P</b> Photocell