

## LED FLOOD LIGHT



### PRODUCT FEATURES:

- ❖ Optical design, greatly improved the light utilization and evenness
- ❖ High efficiency LED Driver
- ❖ Cast Aluminum design, better cooling, light quality, LED Tj < 85°C.
- ❖ Photocell Control (Optional)
- ❖ 1-10V dimming (10%-100%) standard

MODEL #	
PROJECT:	
NOTES:	
DATE:	
PREPARED BY:	

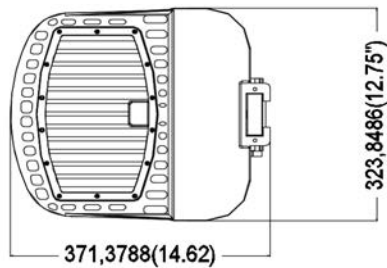
### Additional Information:

- Power: 200W
- Input: AC 120-277V
- Light Source: LUMILEDS
- Driver: SOSEN POWER



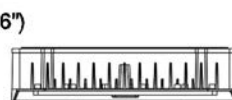
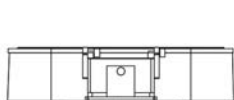
### PRODUCT APPLICATIONS:

The FLOOD LED Lighting Series can be widely used Indoor or Outdoor (Wet Location) Excellent for Underground Parking Lots, Museums, Art Galleries, Sidewalks, Buildings, Schools, Residential Areas and many other applications



### Structure Features:

- Shell Materials: Aluminum & PC
- Finish: Dark Bronze/White/Black
- Net Weight: 5.0KG (11 LBS)
- **Product Size: 371.37mm\*323.84mm\*83mm**
- **Carton Size: 420mm\*370mm\*285mm(2Pcs/CTN)**

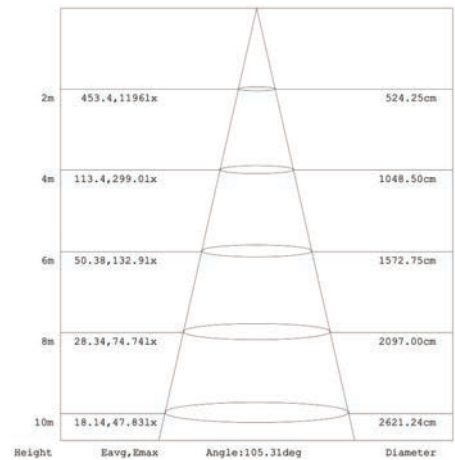
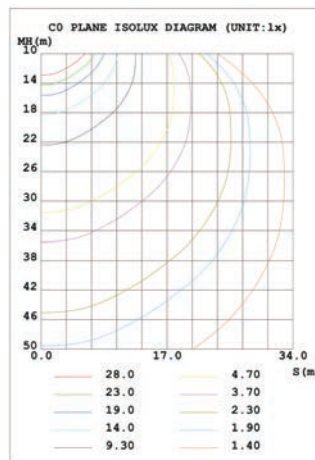
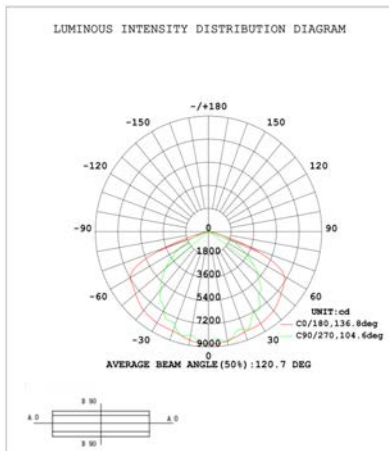


## LED FLOOD LIGHT

### TECHNICAL PARAMETERS:

Type	WSD-20WFL27-XXK-Z-U-P		
Power	200W	Lighting Angle	120°
Input Voltage	AC120-277V	LED Brightness Decay	<5%/6000 hrs
PF	>0.99	Working Life	>75000 hrs
Driver Efficiency	>90%	Working Temperature	-30 - +45°C
Luminous Flux	29000 Lm	Storage Temperature	-40 -+80°C
Color Temperature	4000K/5000K	Protection Level	Wet Location/IP66
CRI	Ra>70	Cable	Input Connect (0.5m)

### PHOTOMETRY:



### ORDERING EXAMPLE: WSD-20WFL27-XXK-Z-U-P

Company	FL	20W	27	XXK	Z	U	P
WSD	Product	Power	Voltage	ColorTemp	FINISH	Mounting Mean	Control
WSD LED INC	FL Flood Light	10W (100W) 15W (150W) 20W (200W)	27 AC120-277V	40K (4000K) 50K (5000K) ± 500K	D Dark Bronze W White	S Slip fitter T Trunnion A Arm	P 120-277V Photocell

## LED FLOOD LIGHT

### MOUNTING OPTIONS



**Slipfitter Mount** An optional cast aluminum mast arm adapter secures fixture head to nominal 2"(2-3/8"O.D. pipe size) horizontal steel tenon arm.

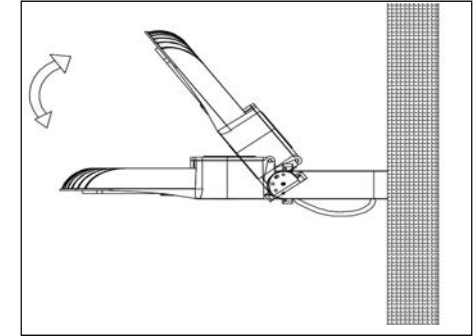
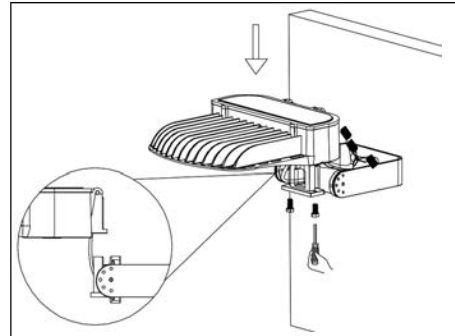
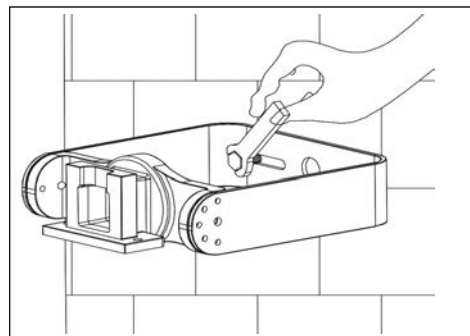
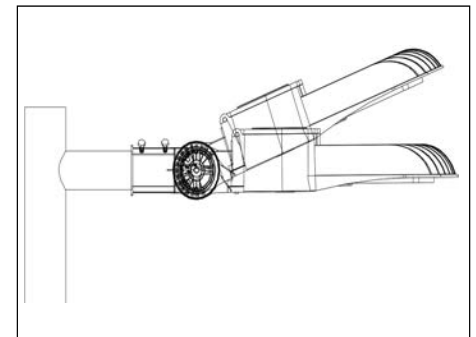
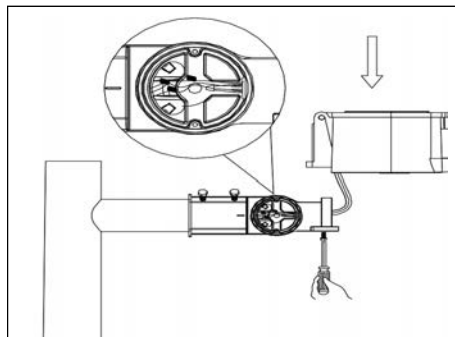
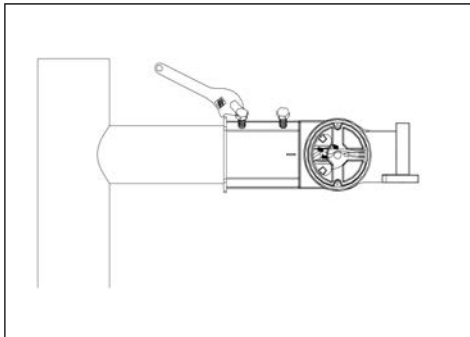


**Wall Mount** Wall Mount is easy to install for direct wall mounting with 1/2" conduit wiring mounting



**Arm Mount** 4p and 5p Square and Round poles) Standard versatile mounting arm is simple to install and can be used with existing poles for retro t installations.

### MOUNTING DIMENSIONS



## LED FLOOD LIGHT

### POLE BRACKET

- For mounting one fixture on an existing pole

	<p><b>4" Square Pole Mount with 2-3/8" O.D. Tenon</b>          NO. WSD-VTS4-D          Finish: Dark Bronze          USE: For use with square, non-tapered steel and aluminum poles. Furnished with four 5/16" hex head stainless-steel bolts. Vertical tenon measures 2-3/8" O.D., and is made of steel tubing. Fixtures mounted to this bracket can be adjusted both vertically and horizontally.</p>		<p><b>3" Round Pole Mount with 2-3/8" O.D. Tenon</b>          NO. WSD-VT3-D          Finish: Dark Bronze          USE: For use with Round, non-tapered steel and aluminum poles. Furnished with three 3/8" hex head stainless-steel bolts. Vertical tenon measures 2-3/8" O.D., and is made of steel tubing. Fixtures mounted to this bracket can be adjusted both vertically and horizontally.</p>
	<p><b>5" Square Pole Mount with 2-3/8" O.D. Tenon</b>          NO. WSD-VTS5-D          Finish: Dark Bronze          USE: For use with square, non-tapered steel and aluminum poles. Furnished with four 5/16" hex head stainless-steel bolts. Vertical tenon measures 2-3/8" O.D., and is made of steel tubing. Fixtures mounted to this bracket can be adjusted both vertically and horizontally.</p>		<p><b>4" Round Pole Mount with 2-3/8" O.D. Tenon</b>          NO. WSD-VT4-D          Finish: Dark Bronze          USE: For use with Round, non-tapered steel and aluminum poles. Furnished with three 3/8" hex head stainless-steel bolts. Vertical tenon measures 2-3/8" O.D., and is made of steel tubing. Fixtures mounted to this bracket can be adjusted both vertically and horizontally.</p>

### WALL BRACKET

- Attaches to any flat surface
- Provides wiring access

### MID-POLE TENON BRACKET



	<p><b>90° Wall Mount Bracket with 2-3/8" O.D. Tenon</b>          NO. WSD-ADP2.5-90-D          Finish: Dark Bronze          USE: The 90° wall mount bracket with 2-3/8" tenon attaches a floodlight to almost any surface: wall, roof, or wood pole. Provides wiring access and built-in 2-3/8" O.D. tenon to mount a fixture with our adjustable slipfitter. Suggested 3/8" diameter bolts for mounting. Mounting holes are spaced 3-1/4" apart.</p>		<p><b>2-3/8" OD Horizontal Tenon Mid-Pole Bracket</b>          NO. WSD-ADP2.5-D          Finish: Dark Bronze          USE: 2-3/8" OD Horizontal Tenon Mid-Pole Bracket is designed to mount light fixture that is equipped with an adjustable slipfitter onto a 2-3/8" OD horizontal tenon</p>
--	--	--	--

### ROUND EXTERNAL MOUNT HORIZONTAL TENON · To mount 2/3/4 fixtures on an existing pole

	<p><b>Double 90° Horizontal Tenon Adaptor</b>          NO. WSD-SB2.5TW90-D          Finish: Dark Bronze          USE: The Bracket is designed to mount over 2-3/8" (60mm) O.D. vertical tenon. Two fixtures can be mounted to the Round External Mount Horizontal Tenon and adjusted horizontally</p>		<p><b>Triple 120° Horizontal Tenon Adaptor</b>          NO. WSD-SB2.5TR120-D          Finish: Dark Bronze          USE: The Bracket is designed to mount over 2-3/8" (60mm) O.D. vertical tenon. Three fixtures can be mounted to the Round External Mount Horizontal Tenon and adjusted horizontally</p>
	<p><b>Double 180° Horizontal Tenon Adaptor</b>          NO. WSD-SB2.5TW180-D          Finish: Dark Bronze          USE: The Bracket is designed to mount over 2-3/8" (60mm) O.D. vertical tenon. Two fixtures can be mounted to the Round External Mount Horizontal Tenon and adjusted horizontally</p>		<p><b>Quad 90° Horizontal Tenon Adaptor</b>          NO. WSD-SB2.5QD90-D          Finish: Dark Bronze          USE: The Bracket is designed to mount over 2-3/8" (60mm) O.D. vertical tenon. Four fixtures can be mounted to the Round External Mount Horizontal Tenon and adjusted horizontally</p>
	<p><b>Single Spoke Bracket Tenon Adaptor</b>          NO. WSD-SB2.5S90-D          Finish: Dark Bronze          USE: The Bracket is designed to mount over 2-3/8" (60mm) O.D. vertical tenon. Three fixtures can be mounted to the Round External Mount Horizontal Tenon and adjusted horizontally</p>		<p><b>Double 180° Horizontal Tenon Adaptor</b>          NO. WSD-RB2.5D180-D          Finish: Dark Bronze          USE: The Bracket is designed to mount over 2-3/8" (60mm) O.D. vertical tenon. Three fixtures can be mounted to the Round External Mount Horizontal Tenon and adjusted horizontally</p>
	<p><b>Triple 180° Horizontal Tenon Adaptor</b>          NO. WSD-RB2.5TR180-D          Finish: Dark Bronze          USE: The Bracket is designed to mount over 2-3/8" (60mm) O.D. vertical tenon. Three fixtures can be mounted to the Round External Mount Horizontal Tenon and adjusted horizontally</p>		<p><b>Triple 90° Horizontal Tenon Adaptor</b>          NO. WSD-RB2.5QD90-D          Finish: Dark Bronze          USE: The Bracket is designed to mount over 2-3/8" (60mm) O.D. vertical tenon. Three fixtures can be mounted to the Round External Mount Horizontal Tenon and adjusted horizontally</p>
	<p><b>Slip Fitter Square tube turn tube Tenon Adaptor</b>          NO. WSD-SADP-BAR          Finish: Dark Bronze          USE: For square tube light bar installation, with slip Fitter installation of lamps.</p>		<p><b>Arm Square tube turn tube Tenon Adaptor</b>          NO. WSD-ARM-BAR          Finish: Dark Bronze          USE: square tube light bar installation, with Arm installation of lamps.</p>

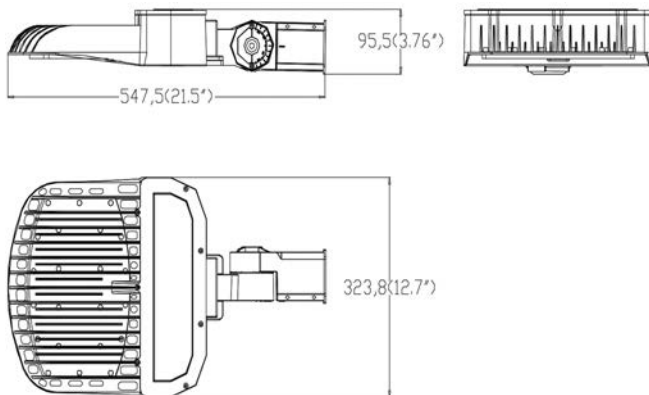
## LED FLOOD LIGHT

### PHOTOCELL & MOTION SENSORS

	<p><b>Photocell</b>          No. LC-10DT          Finish: Blue          USE: Used for indoor or outdoor LED lamps, working with light sensing principle, the LC-10DT sensor (LC-10DT for 120-277V) is used for Light sensor</p>		<p><b>SPECIFICATIONS AND CHARACTERISTICS:</b></p> <ul style="list-style-type: none"> <li>• UL Listed. Reference No.: E178670 Volts &amp; Cover Color</li> <li>- Blue standard for 120-277VAC</li> <li>• Turn-ON Light Level: 10-16 Lux</li> <li>• Turn ON/OFF Ratio: 1:3 to 4</li> <li>• Time Delay: 3-15 sec</li> <li>• Operating Temperature: -40°C to +70°C</li> <li>• Relay: 15A</li> <li>• MOV Surge Protection: 90J, 160J, 320J, 360J (4 options)</li> <li>• Energy Consumption: Less than 1Watt (120V&lt;0.5W)</li> <li>• Electrical Life: &gt;5000 cycles</li> <li>• Sensor Type: Silicon Photocell</li> <li>• Housing: UV stabilized PC</li> <li>• Failure Mode: Fail ON (standard), Fail OFF (for your option)</li> </ul>
---	---	---	---

### PRODUCT DIMENSIONS (unit: inch/mm)

#### 100W/150W/200W (Slipfitter Mount)



#### 100W/150W/200W (Wall Mount)

