

30W LED Flood Lighting



Features

- Lumileds LED, high luminous efficiency and long working life.
- High efficiency LED Driver, the wide range input voltage AC100-277V.
- Die Cast aluminium cooling design, high quality and better cooling for LED $T_j < 85^{\circ}\text{C}$.
- Excellent Optics design, greatly improve the light utilization and evenness.
- Photocell Control Available (Option)

Product Applications

WISDOM LED Flood Lighting series can be widely used in indoor or outdoor lighting (Wet location), Excellent for Museums, Art Galleries, Shopping Malls, Office Buildings, The lawn, Walls, and many more applications.

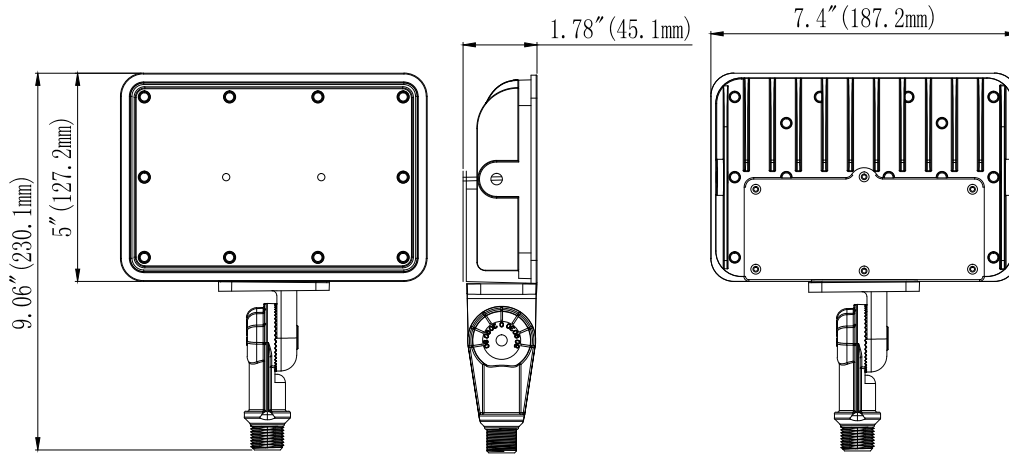


Specifications

Unit : inch(mm)

Structure Features

- Shell materials: Aluminum & PC.
- Finish: Dark Bronze/White
- Net weight : 1.38Kg (3.04 lbs)
- Interbox Size:26.2cm*22cm*8cm(1pcs)
- Carton Size:55.1cm*43.5cm*23.5cm(10pcs)

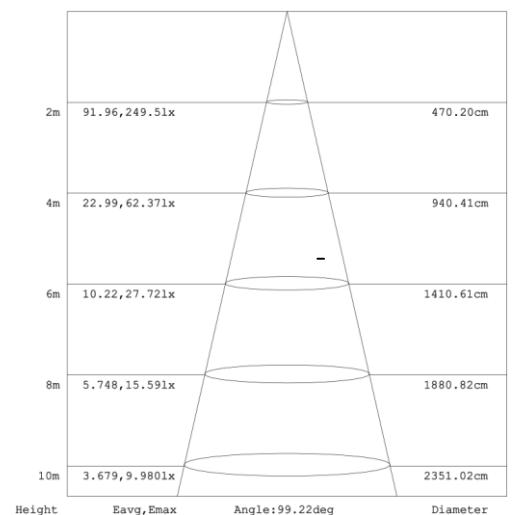
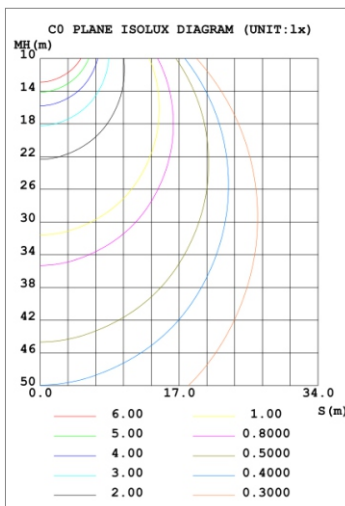
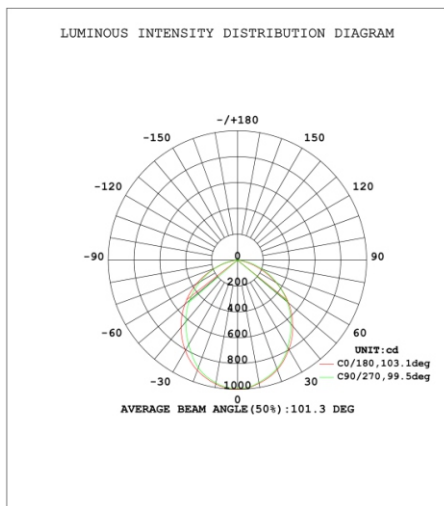


Technical Parameters

WSD-FL03W27-XXK-Z-K-Y[P or blank]

Power	30W	Lighting Angle	101°
Input Voltage	AC100-277V	LED Brightness Decay	<5%/6000 hrs
PF	>0.95	Working Life	>50000 hrs
Driver Efficiency	>90%	Working Temperature	-30 - +45°C
Luminous Flux	3409.3 Lm	Storage Temperature	-40 - +80°C
Color Temperature	3000K/4000K/5000K/5700K/6500K	Protection Level	Wet Location/IP65
CRI	Ra>80	Cable	Input Connect, 0.3m

Photometry



Example:WSD-FL03W27-XXK-Z-K-Y[P or blank]

WSD	FL	30W	27	XXK	Z	K	Y
Company	Product	Power	Voltage	Color Temp	Finish	Mount	Photocell
	FL	02W(20W)	27	30K(3000K)	D	K	P12
WISDOM	Flood Light	03W(30W)	AC100-277V	40K(4000K)	Dark Bronze	Knuckle	120V Photocell
				50K(5000K)	W	T	P27
				57K(5700K)±500K	White	Trunnion	277V Photocell