

Specification

- LED LINEAR HIGH BAY / UL E488341

DOC: V1701

DESCRIPTION

- * Replacement for fluorescent linear high bay fixture;
- * Quick installation in 5 minutes and easy maintenance;
- * 50,000 hours or more working time and 5 years warranty;
- * Working with 0-10V dimmer;
- * Environment friendly without glass and mercury;



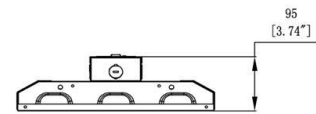
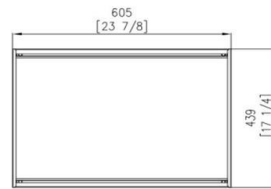
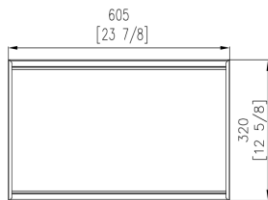
COMMON TECHNICAL DATA

Color temperature	30K / 40K / 50K / 60K
CRI	83
Operation Temperature	-68~122 °F
Input voltage	AC 100-277V
Power factor	0.95
Warranty	50,000 hours / 5 years
Housing material	Metal + Poly Carbonate
Lumen efficiency	125LPW



MECHANICAL CHARACTERISTICS

Item	Length	Width	Height
90W/120W	23.83 inch	12.6 inch	3.74 inch
150W/180W	23.83 inch	17.25 inch	3.74 inch

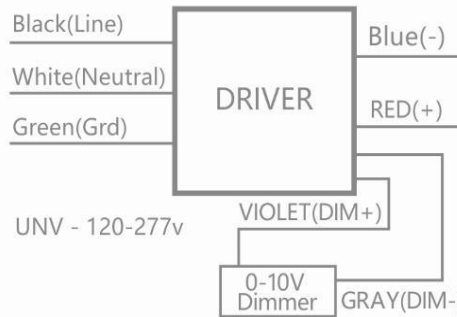


APPLICATION



Type	Part No.	Wattage	lpw	Lumens	Color Temp.	DLC Code
DIMMABLE	HB-90W320605-L-DCW2	90W	125	12000 LM	5000K	CCCAMH
	HB-90W320605-L-DNW2			11696 LM	4000K	
	HB-120W320605-L-DCW2	120W	125	16120 LM	5000K	XXXBDJ
	HB-120W320605-L-DNW2			15932 LM	4000K	
	HB-150W320605-L-DCW2	150W	125	19620 LM	5000K	XXXBDI
	HB-150W320605-L-DNW2			19240 LM	4000K	
	HB-180W439605-L-DXW2	180W	125	23679 LM	5000K	XXXBDH
	HB-180W439605-L-DXW2			23543 LM	4000K	

WIRING DIAGRAM



WARNING

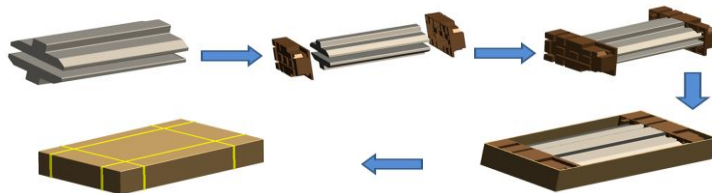
- Not suitable for outdoor use.
- Not suitable for high temperature or damp locations.
- Not suitable for heavy air polluted locations.
- Please turn off the power before replacing new fixture.

CAUTION

- Risk of electric shock;
- Use in dry locations only.

PACKAGE

	Dimensions / Carton	pc/ctn	lbs/ctn
90W/120W	25.8x14.6x5.7 inch	2	24.3 lbs
150W/180W	27.6x21.5x10 inch	2	30.7 lbs



REMARK

- All of the mechanical, electrical and light characteristics in this document are typical value;
- LM-79, IES file is available.

WARRANTY

This product has a warranty for a period of 5 years from the date of purchase. The warranty is invalid in the case of improper installation, tampering, or removal of the Q.C. date label. Installation in an improper working environment or installation not according to the current edition of the National Electric Code also invalidates the warranty. If this product fails during the warranty period, it will be replaced free of charge, subject to correct installation and return of the faulty unit. Walstar does not take responsibility for any installation costs associated with the replacement of this product. This warranty is an addition to the statutory rights in the country of purchase. Walstar reserves the right to alter specifications without prior notice.