

WPGP Outdoor

Guard Pack WallPack



Our new Guard Pack(GP) WallPack is a full cut-off series wallpack designed for an easy, universal installation best suited for outdoor illumination. With effective thermal management, corrosion-resistant, and die cast aluminum enclosure, the GP WallPack offers a glare free and uniform lighting, all while providing a comfortable visual experience.



Luminaire	WPGP Guard Pack Wall Pack	Type
Project		
Product		
Notes		

Features

- Can be used to replace HID's up to 400W
- Alkali and salt erosion resistant
- Maintenance Free & Environmentally Friendly



Order Format

Sample: **WPGP-40-40-T3S-BL**

Series	Wattage	CCT	Voltage	Dimming	Distribution	Finish Color	Options
WPGP =Guard Pack Wallpack	28=28W 40=40W 60=60W 80=80W	40=4000K 50=5000K	Blank=100-277VAC V=347-480VAC	Blank= 1-10V Dimming ND= Non-Dimming	T3S=T3S	Blank=Bronze BL= Black WH=White GR=Gray	PH=Photocell SE=Sensor

Application

Directly mount on to any vertical surface over a standard 4" outlet box or for surface wiring.



Construction

Constructed in a heavy-duty die cast aluminum with clear glass for brilliant light distribution. The housing is coated in an environmentally friendly polyester powder formulated for a durable and long-lasting color in a bronze finish. No toxic heavy metals, VOC, or mercury were used in the design of this product.

Electrical

Luminaire is compatible with sensors, photocells and EM units. The fixture is available with 347-480V driver options. All luminaires have been tested by an independent laboratory in accordance with IESNA LM79 and LM80. Product certifications include: UL, DLC(Pending), Title 24, RoHS, Lighting Facts, and Safety Listing.

Optics

The Guard Pack is available with Type III optics. Color accuracy is rated at 70+ CRI, in a color temperature of 4000K and 5000K.

Certifications

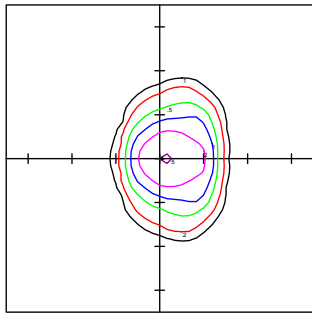
- DLC
- UL Listed
- RoHS
- Title 24

Input Voltage (VAC)	100-277 / 347-480
CRI	70+
CCT(K)	4,000, 5,000
PF	>.9
THD	<15%
L70 (Hours)	81,000
Color	Bronze, Black White, Gray, Custom
Housing	Die Cast Aluminum
Optic Types	Clear, T3
Temperature Range	-20°C to 40°C
Warranty	5 Years

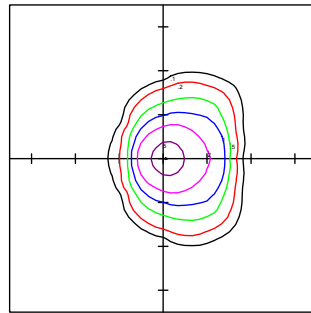
Lumen Data

Catalog Number	Wattage (W)	BUG Rating	4K			5K		
			System Wattage	Efficacy (Lm/W)	Lumens (Lm)	System Wattage	Efficacy (Lm/W)	Lumens (Lm)
WPGP-28-XX-T3S	28	B1-U1-G1	28.1	128	3,603	27.62	131	3,619
WPGP-40-XX-T3S	40	B2-U2-G1	36.4	140	5,119	37.16	140	5,231
WPGP-60-XX-T3S	60	B2-U2-G1	55.3	136	7,552	55.35	137	7,623
WPGP-80-XX-T3S	80	B3-U2-G1	75.1	135	10,187	75.12	136	10,283

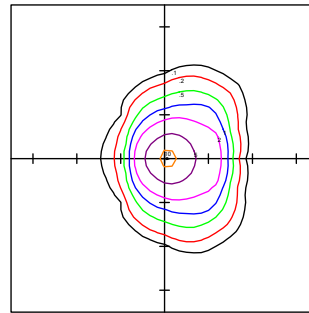
Photometric



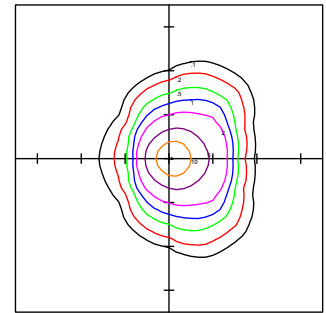
WPGP-28-50-T3S @16'



WPGP-40-50-T3S @16'



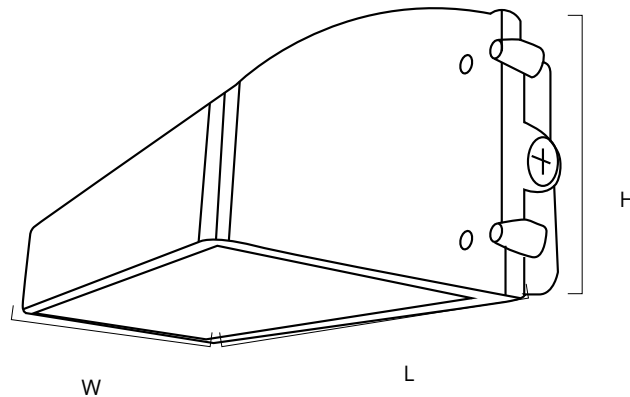
WPGP-60-50-T3S @16'



WPGP-80-50-T3S @16'

Dimensions

28W
40W
60W
80W



Part No.	Length (L)	Height(H)	Width (W)
WPGP-28	12.61	6.86	5.10
WPGP-40	12.61	6.86	5.10
WPGP-60	12.61	6.86	5.10
WPGP-80	12.61	6.86	5.10

Recorded in inches

Electrical Accessories



Photocell



Motion Sensor



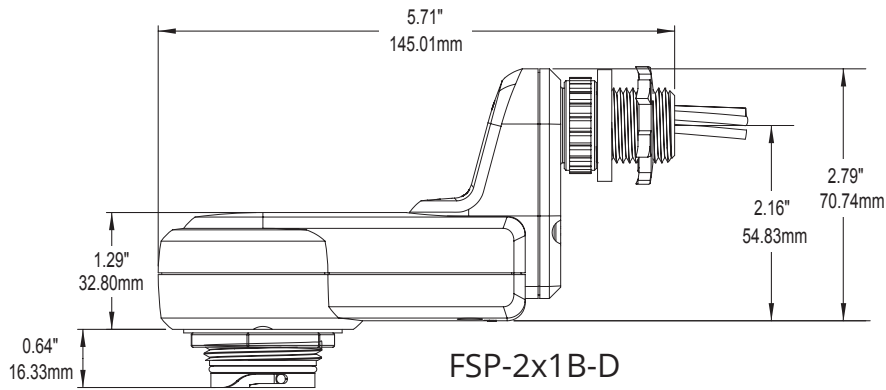
1-10V Dim

FSP-221B-D*
BiLevel Sensor
IP66 Rated
110-480V



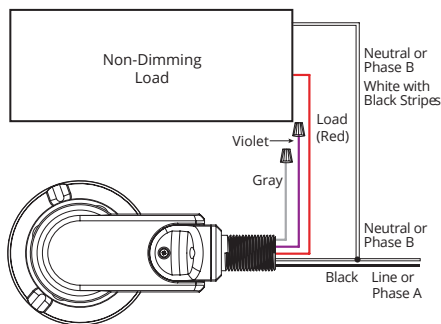
Load Ratings	@120V 0-800W tungsten, ballast, LED driver; 1/6hp motor @230-240V 0-300W ballast, LED driver @277V 0-1200W ballast, LED driver; 1/6hp motor @347/480V 0-1200W ballast, LED driver
0-10V Sinking Current	50mA
High/Low Modes	high:0-10V, low: off, 0-9.8V
Time Delay	30 sec, 1-30 min
Cut Off Delay	none, 1-59 minutes, 1-5 hours
Sensitivity/Service mode	low, med, max: on-fix, off-fix
Setpoints	hold off setpoint: none, 1-250 fc, auto photocell on/off setpoint: 1-250fc
Ramp and Fade Times	1-60 sec
Op Temperature	-40°F to +167°F (-40°C to +75°C)

Dimensions

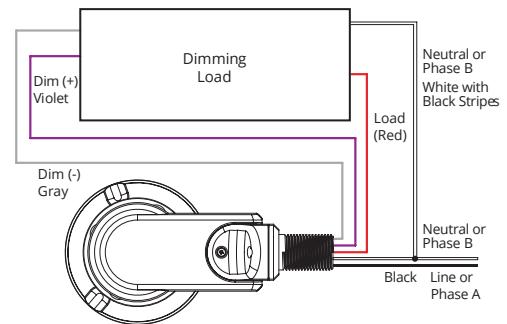


Wiring

Wiring with non-dimming load.



Wiring with dimming load.



*See Sensor Specs sheet for more information