

WPE Economy Wall Packs

Project:	
Type:	
Catalog #:	

STANDARD



FEATURES

- Available in 3000k, (warm white), 4000k (neutral white), and 5000k (cool white) color temperatures.*
- Long-life LEDs provide at least 70% of initial lumen output (L_{70}) for $\geq 174,000$ hours of operation, and at least 90% of initial lumen output (L_{90}) for $\geq 51,000$ hours of operation.*
- LED chromaticity based on ≤ 6 -step ANSI quadrangles.
- LED color maintenance ≤ 0.002 chromaticity shift ($\Delta u'v'$) over the initial 6,000 of operation.
- Provides a range of 2,621 to 2,794 nominal lumens and 133 to 144 nominal lumens per watt (lm/W).
- 0-10vdc dimming drivers, which provide 10% continuous dimming are standard.
- Universal 120-277 AC voltage (50-60Hz) is standard.
- Power factor > 0.90 .
- Total harmonic distortion $< 20\%$.
- Color rendering index (R_a) > 80 . Red color rendering > -8 .
- Cast aluminum housing with dark bronze, powder coat finish.
- Integral photocell is standard.
- Diffused polycarbonate lens.
- Two $\frac{1}{2}$ " NPT threaded openings.
- Easy installation in new construction or retrofit applications.

* Contact factory for other color temperatures and lumen packages.

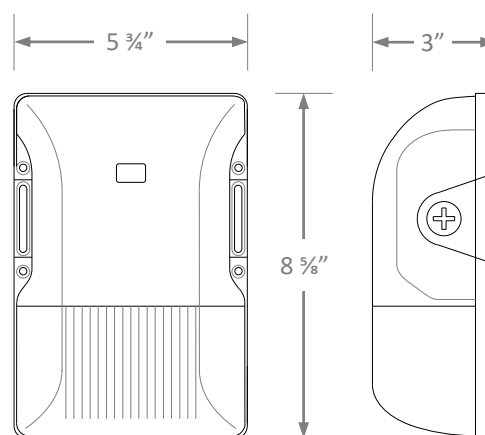
** L_{70} & L_{90} hours are IES TM-21-11 calculated hours.



WARRANTY & LISTINGS

- cULus listed for wet locations in ambient temperatures from -30°C to 45°C (-22°F to 113°F).
- IP65 rated for ingress protection.
- DLC 5.1 premium approved.
- Complies with FCC Part 15, class B.
- Surge immunity protection (2.5kV).
- 5-year warranty of all electronics and housing.

DIMENSIONS



ORDERING INFORMATION

Example: WPE-3L-5K

Series	Nominal Lumen Output		Color Temperature	
	WPE	3L	3,000 lumens	3K
			4K	4000k
			5K	5000k

WPE Economy Wall Packs

ELECTRICAL DATA

Model	Color Temperature	CRI ¹	Luminaire Lumens	Luminaire Watts	Lumens/Watt	Input Voltage ²	Input Current (A)			Power Factor	THD ³	L ₇₀ Hours ⁴
							120V	240V	277V			
WPE-3L-3K	3000k	>80	2,621	20	133	120-277	0.17	0.08	0.07	>0.90	<20%	174,000
WPE-3L-4K	4000k	>80	2,794	19	144	120-277	0.16	0.08	0.07	>0.90	<20%	174,000
WPE-3L-5K	5000k	>80	2,736	20	140	120-277	0.17	0.08	0.07	>0.90	<20%	174,000

¹ Color rendering index.

² All 50-60Hz.

³ Total harmonic distortion.

⁴ L₇₀ refers to the number of hours at which lumen output declines to 70% of the initial level. L₇₀ hours are IES TM-21-11 calculated hours.

PHOTOMETRIC DATA

WPE-3L-4K

Luminaire Data

Description	Economy Wall Pack 3L, 4K
Total Lumens	2,794
Input Wattage	19
Efficacy (lm/W)	144
Max. Cd.	1066.59 (360H, 10V)
IES Classification	Type IV
Longitudinal Classification	Very Short

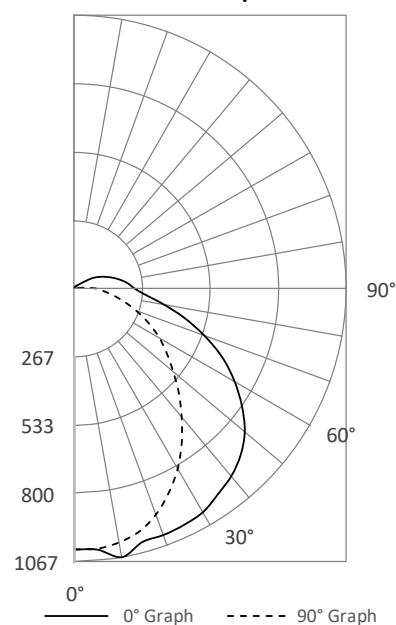
Zonal Lumen Summary

Zone	Lumens	%Fixt
0-30°	744	26.6%
0-60°	1,888	67.6%
0-80°	2,399	85.8%
80-90°	137	5.4%*
0-90°	2,536	90.8%
90-110°	157	5.6%
110-180°	0	0.0%
0-180°	2,794	100.0%

Luminaire Classification Systems (LCS)

LCS Zone		Lumens	%Lum
FL	0-30	406	14.5%
FM	30-60	803	28.7%
FH	60-80	404	14.5%
FVH	80-90	113	4.0%
BL	0-30	338	12.1%
BM	30-60	342	12.2%
BH	60-80	106	3.8%
BVH	80-90	24	0.9%
UL	90-100	93	3.3%
UH	100-180	165	5.9%
Total		2,794	100.0%
BUG Rating		B1-U3-G2	

180° Polar Graph



* 80-90° glare zone is calculated by dividing the lumens in that zone by the lumen total in the 0-90° zone