

PROJECT NAME: _____ CAT. #: _____

NOTES: _____ FIXTURE SCHEDULE: _____

WallMax Compact Open Face

WCOP Series

Product Description:

The WallMax Compact Open Face Wall Pack is a smaller version of our standard WallMax Open Face Wall Pack. Like it's larger sibling, it offers many field-selectable CCT and wattage options. For controls it includes a photocell standard with an on/off switch to empower the customer with the option to engage the dusk to dawn feature. Available in 3 wattages (28/40/60W), it provides a value solution for standard wall lighting applications.

Features:

- CCT selectable between 3000K, 4000K or 5000K
- Photocell with on/off switch included standard
- 4 conduit holes (one on each side) for surface conduit applications

Construction:

- Rugged die cast housing with corrosion resistant polyester powder paint finish
- Impact resistant borosilicate glass



Fixture with Wire Guard



Fixture with Visor

MaxLite Makes It!

Don't see what you need? Additional wattages and specifications available upon request - contact your MaxLite rep!

Ordering Structure

FAMILY	WATTAGE (NOMINAL)	VOLTAGE	CCT	COLOR	CONTROLS
WCOP= WallMax Compact Open Face	28= 28W 40= 40W 60= 60W	U= Universal 120-277V	CS= 3/4/5K WCS*= 3/4/5K, Wattage Selectable	B= Dark Bronze Contact MaxLite for additional finishes	PC= 120-277V Photocell included standard with on/off switch

Ordering Notes:

1. *Wattage Selectable: 60W = 28/40/60W
2. * 60W only, covers 28/40/60W

Stocked Items

MODEL NUMBER	ORDER CODE	DLC #
WCOP28U-CSBPC	105017	PLBPY6EBEKAD
WCOP40U-CSBPC	105936	PL795SAKY1H5
WCOP60U-WCSBPC	105937	PL5E0903BGP1

Accessories

MODEL NUMBER	ORDER CODE	DESCRIPTION	IMAGE
WCOP-SVISOR-B	106164	WallMax Compact Open Face Visor Small Housing, Bronze	
WCOP-SWG	106165	WallMax Compact Open Face Wire Guard Small Housing	



5-year standard warranty

(further details available at www.maxlite.com/warranties) Product may be eligible for a warranty extension to 10 years, for an additional fee. Contact MaxLite for details.

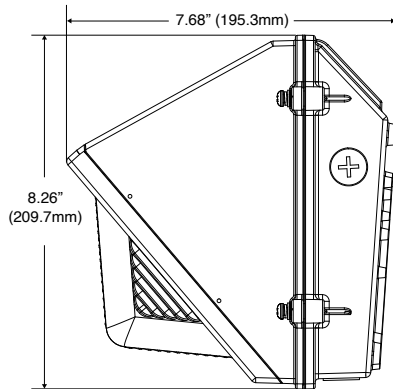
WallMax Compact Open Face

WCOP Series

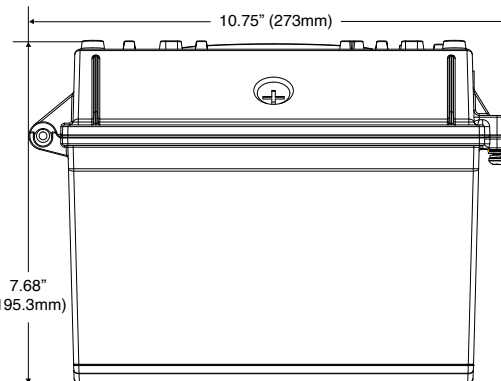
Specifications

Specifications	WCOP28	WCOP40	WCOP60
Wattage (W)	29	40	60
Output (lm)	min 3,500	min 4,800	min 7,200
Efficacy (lm/W)	min 120	min 120	min 120
CCT	3000K, 4000K or 5000K		
CRI	>80		
Dimming	0-10V		
Power Factor	>0.90		
Input Voltage	120-277V		
Housing	Die Cast Aluminum with polyester powder coat paint finish		
Lens	Borosilicate Glass		
Listings	DLC Premium, cULus, FCC		
Environment	Wet locations and IP65		
Warranty	5-year standard warranty*		

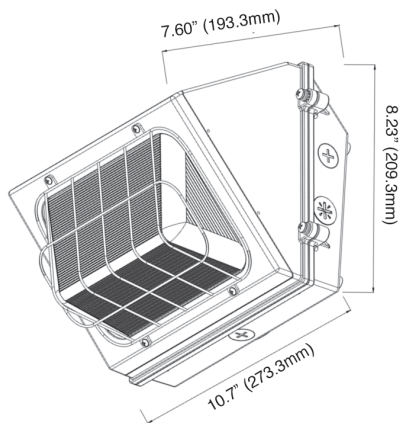
Dimensions



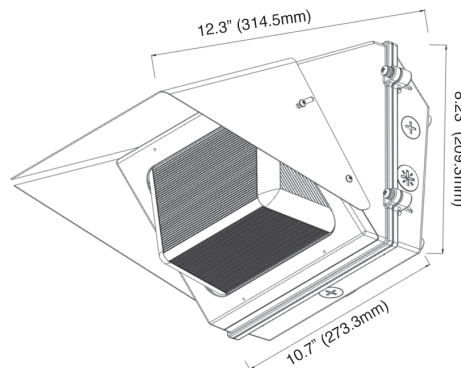
Side View



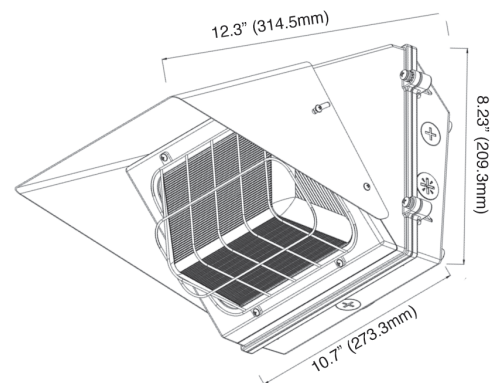
Top View



Wire Guard



Visor



Visor + Wire Guard

WallMax Compact Open Face

WCOP Series

ISOFOOTCANDLE:

Each gridline represents one mounting height.
 For mounting heights other than noted multiply FC by the below factor.

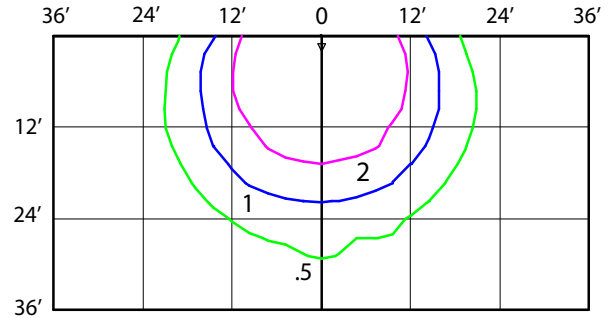
$$\text{Factor} = \frac{(\text{Chart's Mtg Height})^2}{(\text{Actual Mtg Height})^2}$$

Layouts based on 3000K. Results are 3-5% more for 4000/5000K. Consult IES file for more precise calculations.

LEGEND

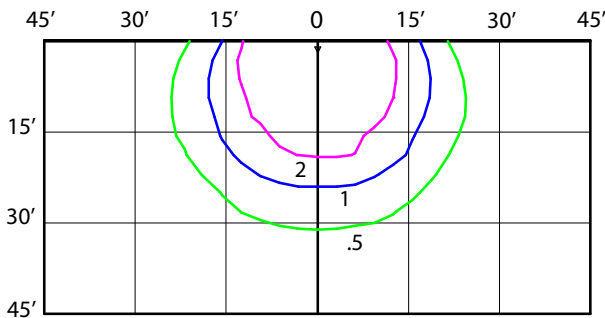
- 0.5 fc
- 1 fc
- 2 fc

WCOP28



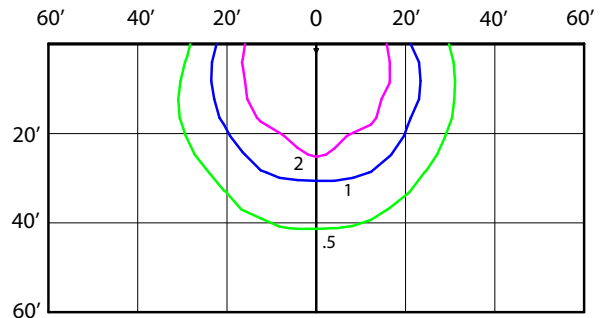
28W
12' MOUNTING HEIGHT

WCOP40



40W
15' MOUNTING HEIGHT

WCOP60



60W
20' MOUNTING HEIGHT