

VIOS



SOLAR LED WALL LIGHT

6.8W 800LM

4,000K



SOLTECH offers advanced LED technology that is eco-friendly and utilizes clean energy.

1460 Park Avenue,
Emeryville CA 94608 USA

www.soltechlighting.com

Please read and follow all instructions to operate. Save this manual for future reference.



SOLTECH LLC reserves the right to update all product data sheets at any time. Consult SOLTECH marketing specialists for publication updates at www.soltechlighting.com

Copyright©2021-2022 SOLTECH LLC, All Rights Reserved.

01 INTRODUCTION

1. This is a solar powered lamp, please install it in a location where it can get enough sunshine.
2. Please note the duration of the light depends on sun intake & weather.
3. The lamp will automatically turn on at dusk.
4. Built-in IC with over-charge, over-discharge, and over-voltage protection.

Warning

1. The lamp is equipped with internal batteries. Non-professionals please do not disassemble the lamp.
2. Please do not dispose the battery in household garbage to avoid explosion.



WATERPROOF



SUPER BRIGHT



CORDLESS



DUSK TO DOWN SENSOR



MOTION SENSOR



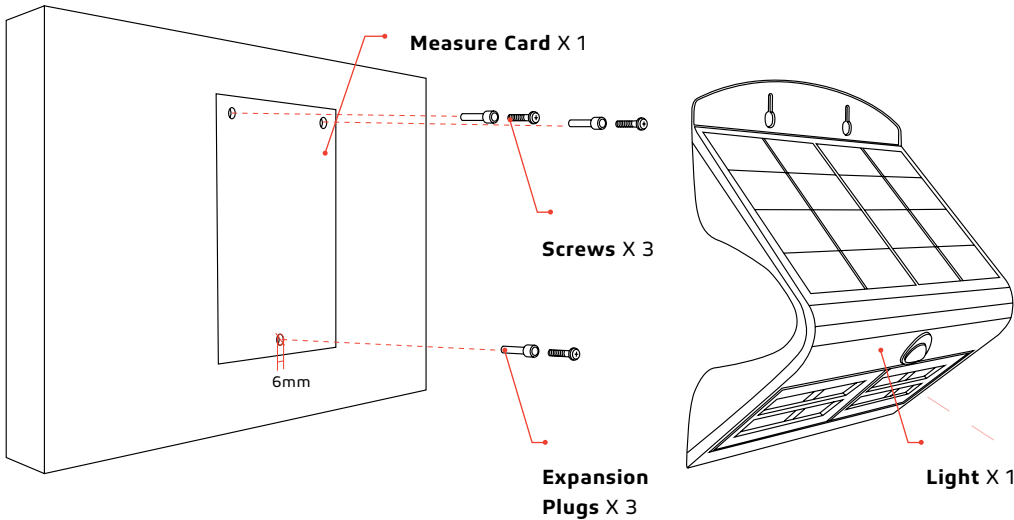
LOW COST

02 SPECIFICATIONS

POWER / LUMEN	6.8W / 800LM
LED	SMD 2835 X 60PCS
LI-ION BATTERY	4.0Ah / 3.7V
SOLAR PANEL	4.4 Wp, Mono-crystalline Silicon
WORKING MODE	3 Different Modes
DETECTION ANGLE / AREA	120° ≤ 19.7ft
VISIBLE DISTANCE	39.3 ft
IP DEGREE	IP65
WARRANTY	3 YEARS
LIFESPAN	35,000 hrs
INSTALLATION HEIGHT	≤ 13.1 ft
PACKING	Solar Light X 1, Accessory Bag X 1, User Manual X 1, Measure Card X1

03

INSTALLATION



1. Please use the measure card to correctly position the hole drillings then drill 3 holes of 6mm
2. Fix 3 expansion plugs into the holes
3. Fix 3 screws into the expansion plugs leaving spare space to hang & secure the light.
4. Hang the notch onto the screws and fasten the lamp
5. Press the power button on the back to program the operating mode

04

OPERATING MODES

Please press the power button to program an operating mode:

Press 1 time for **MODE A**

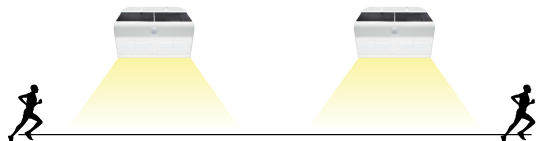
Press 2 times for **MODE B**

Press 3 times for **MODE C**

Press 4 times to **TURN OFF**

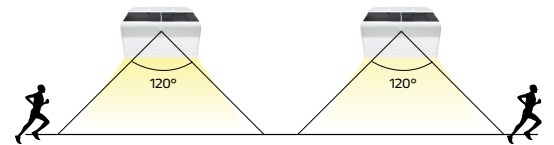
MODE A

Automatically turn on at dusk (< 30 Lux) and remains at 20% brightness for 5 hours then turns off.



MODE B

Automatically turns on to full brightness (800LM) when motion is detected in the range ≤19.7ft and then dims to 3% brightness in 20 seconds of no motion.



MODE C

Automatically turns on to full brightness (800LM) when motion is detected in the range ≤19.7ft and then turns off in 30 seconds of no motion.

