

Original design

VAC  
100-277

5 Years  
warranty



PC Lens  
60° /90°



PC Clear cover



150  
Lm/W

LM-80

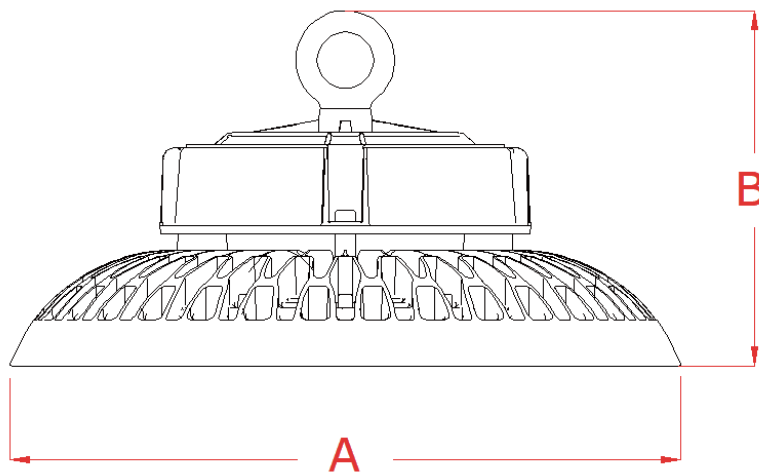
CRI  
>70

PF  
≥0.9

# Product Features

1. Innovative & unique structure and design
2. Dia-casting radiator with excellent heat dissipation, overall powder-coated and through 2000hrs' salt spray testing
3. With high transmittance of PC lens, PC cover and glass to take the different light distribution optional.
4. Adopting 4mm toughened glass, no need external protective cover, high strength and high transmittance over 93%.
5. Using the appropriate water-proof connector and silicone ring to seal, protecting level reaching IP65, suitable for different kinds of outdoor harsh working environment.

# Product Dimension

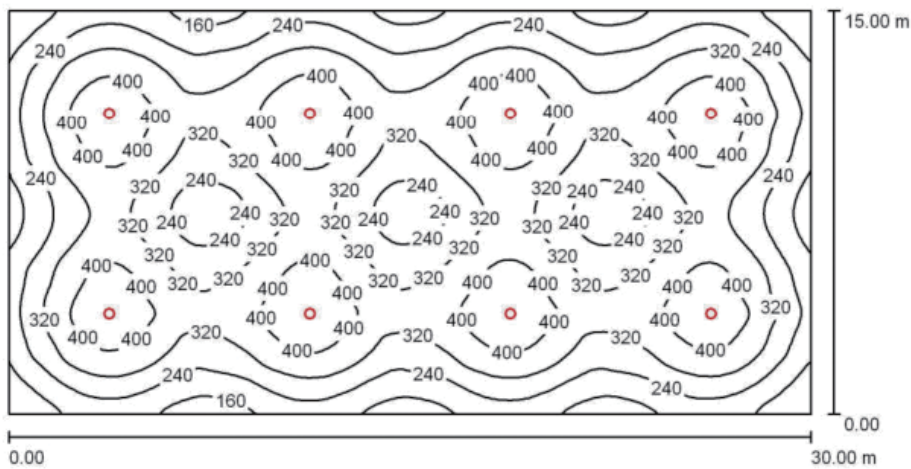


Part NO.	GL-UFO-Y1-100	GL-UFO -Y2-160	GL-UFO-Y2-200	GL-UFO-Y2-240
A (inch)(mm)	(11.42" )Φ290	(13.39" )Φ340	(14.96" )Φ380	(14.96" )Φ380
B (inch)(mm)	(6.85" )174	(7.13" )181	(7.20" )183	(7.20" )183

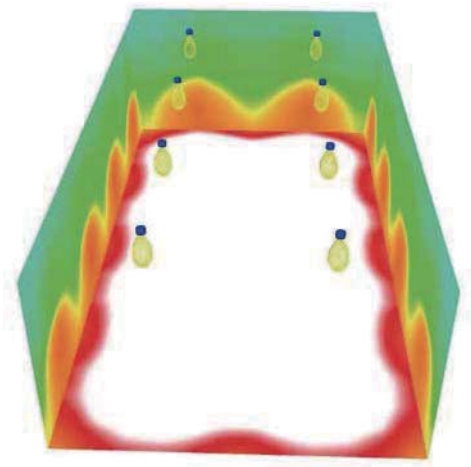
# Specification

Part NO.	Power	Input Voltage	IP Rating	Input Current	PF	Light Efficacy	Ra	CCT
GL-UFO-Y1-100	100W	AC100-277V	IP65	1.0A	>0.9	150lm/w	70	4000-5700K
GL-UFO -Y2-160	160W	AC100-277V	IP65	1.6A	>0.9	150lm/w	70	4000-5700K
GL-UFO-Y2-200	200W	AC100-277V	IP65	2.0A	>0.9	150lm/w	70	4000-5700K
GL-UFO-Y2-240	240W	AC100-277V	IP65	2.4A	>0.9	150lm/w	70	4000-5700K

# Simulation chart

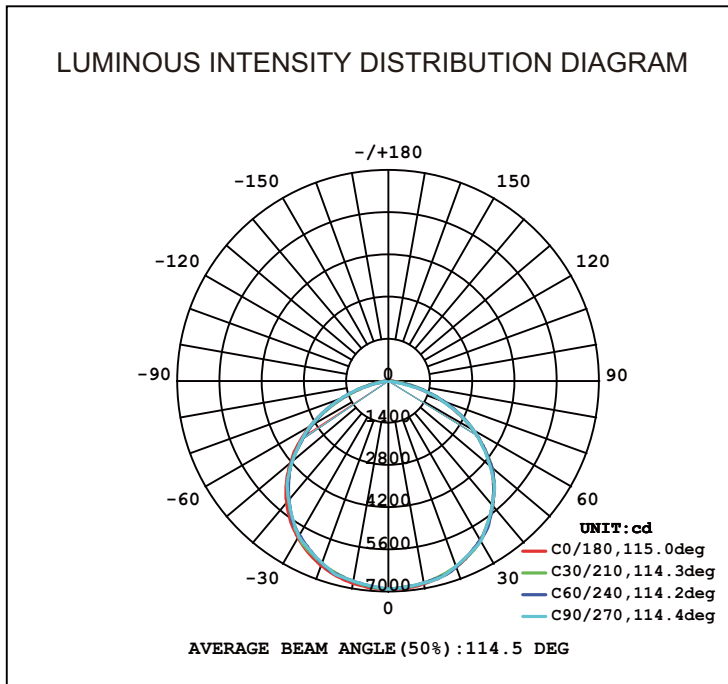


Line graph

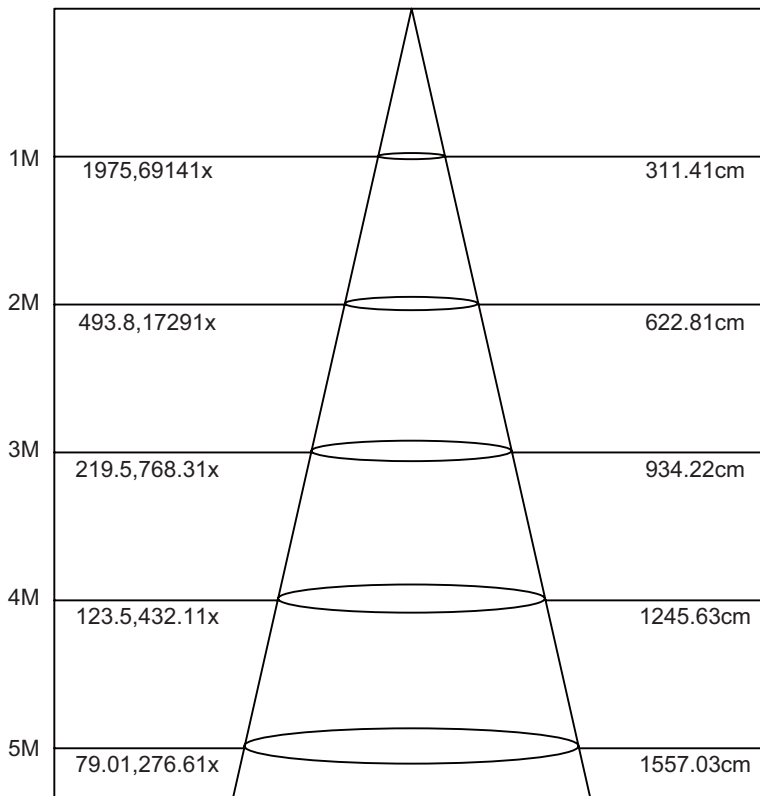


Thermal Imaging

# Testing Report



Flux out: 15290 lm



Height                      Eavg, Emax                      Angle: 114.58deg                      Diameter

**Note: The Curves indicate the illuminated area and the average illumination when the luminaire is at different distance.**

# Function of each cap

- Photocell sensor+ microwave sensor cap
- Customer can set it according to actual needs with a remote.

**ON/OFF** Press the "On/off" button, the light keeps permanently on or off. Press "Auto Mode", or "M" buttons to quit from this mode.

**Auto Mode** Press "Auto Mode" button, the sensor starts to work and all settings remain the same before the light gets switched on/off.

**Detection area** Press to define detection area 100%/75%/50%/20%.

**Daylight threshold** Press to define daylight level 5Lux/25Lux /50Lux/100Lux/300Lux/ 600Lux .  
 Note: Disable means light will be turned on once sensor detects movement, regardless of the ambient lux.

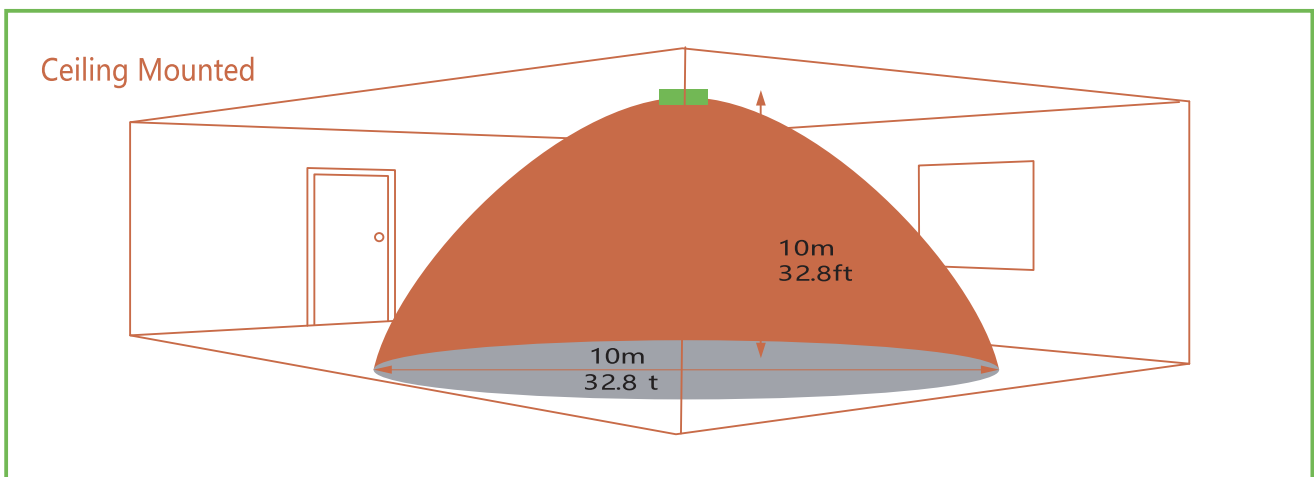
**Hold time** Press to define holdtime 2s/30s/2min/5min / 15min/30min  
 Light control range manual adjustment:

**Stand-by dimming level** Press to define stand-by dimming level 10%/20%/50%/0% .

**Stand-by period** (Press to define stand-by period 0s/10s/15min/30min/+∞.)

**Scene mode:**  
 Corridor mode: Light control value=50Lux,Delay time=30seconds,Standby light=15%, Induction range=75%,Standby time=∞  
 Office mode: Light control value =300Lux,Delay time=5 minutes,Standby light=30%, Induction range=100%,Standby time=15 minutes  
 Warehouse mode: Light control value=300Lux,Delay time=2 minutes,Standby light=15%, Induction range=100%,Standby time=30 minutes  
 Reset: By pressing this key, the lamp is on for 2 seconds when the sensor is triggered and uncontrolled by Lux.

## ● Detection Patterns



## ● Technical data

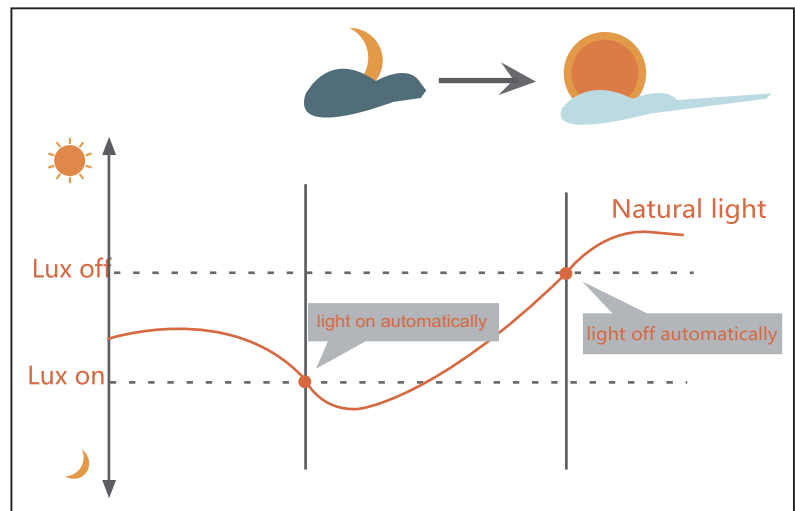
Operating voltage	12VDC
Operating current	20mA±5%
Output	DIM0-10V
Stand-by power	<0.5W
Detection area	20%/50%/75%/100%
Hold time	2s/30s/2min//5min/15min/30min
Daylight threshold	5Lux/25Lux/50Lux/100Lux/300Lux//600Lux Disable
Stand-by period	10s/15min/30min/+∞
Stand-by dimming level	10%/20%/50%/0%
Microwave frequency	5.8GHz±75MHz
Microwave power	<0.3mW
Mounting height	2 - 10m/ 6.6 -32.8ft
Detection range	Max.10m/ 32.8ft
Operating temperature	-20°C~+85°C

## ● Lux on/off

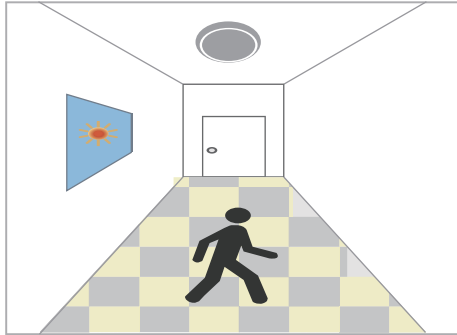
Adopted dual PD technology, it is able to differentiate artificial light brightness from natural light after installed inside the fixture, and automatically turn off light when ambient brightness exceeds preset lux level.

### Preconditions to use the Lux-off function:

1. Standby period is +∞;
2. Standby dimming level is on 10%, or 50%;
3. Daylight threshold is on 30Lux, 50Lux, 80Lux or 100Lux.



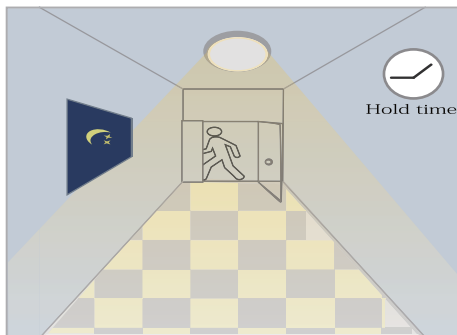
● Application—Dimmable control/Corridor function



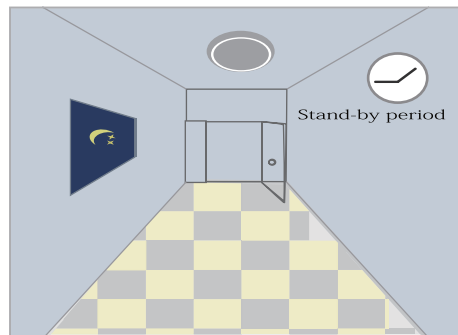
With sufficient daylight, even when motion detected, light remains OFF. After the stand-by period, light OFF. After last detection, the light will be



With insufficient daylight, when motion detected, light ON.

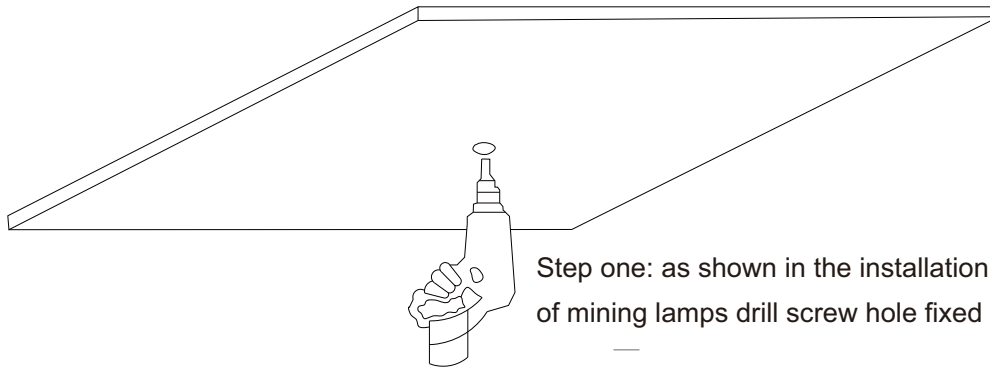


dimmed down to the stand-by dimming level(10%,20%,30% or 50%) after holdtime.

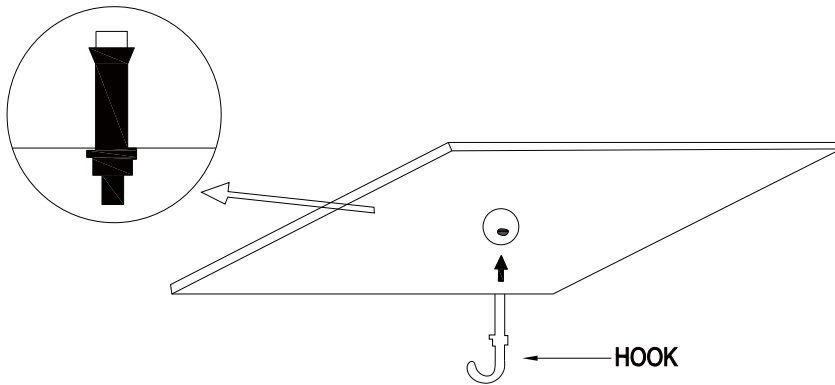


Light dims to standby level if no motion detected after holdtime.

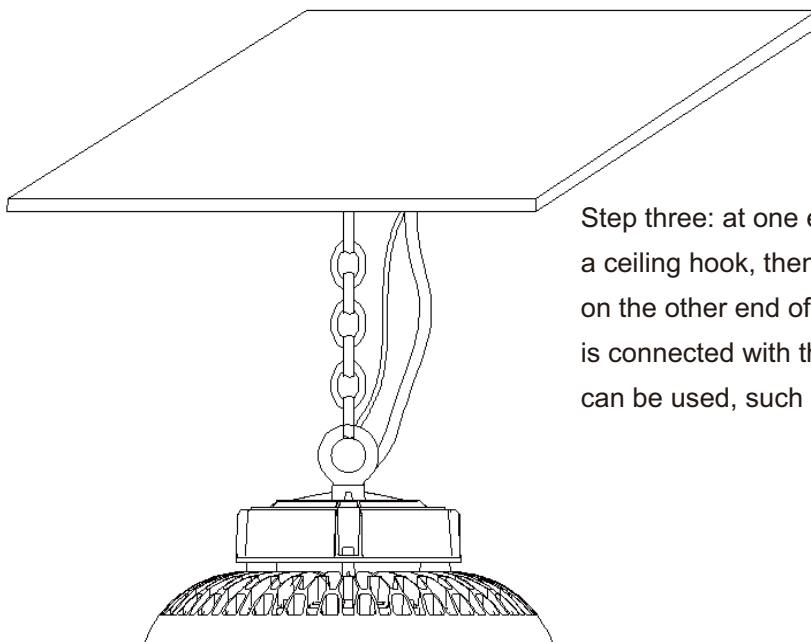
# Installation



Step one: as shown in the installation position of mining lamps drill screw hole fixed the chain a good.



Step two: then in the drill hole position will hook is fixed at the drill hole position. (pictured above)



Step three: at one end of the chain placement in a ceiling hook, then the UFO lamp hook and chain on the other end of the hook and good, is connected with the commercial power can be used, such as above shown.



# Packing /weight

Part NO.	Outer Carton Size (LxWxH)	Qty/Carton (pcs)	Net weight (kg)(lbs)	Gross weight (kg)(lbs)	20GP (QTY)	40HP (QTY)
GL-UFO-Y1-100	280*280*170mm	1PCS	2.20Kg 4.84 lbs	3.0Kg 6.6 lbs	2000PCS	4730PCS
GL-UFO -Y2-160	340*340*185mm	1PCS	3.3Kg 7.26 lbs	4.30Kg 9.46lbs	1250PCS	2958PCS
GL-UFO-Y2-200	380*380*185mm	1PCS	3.9Kg 8.58 lbs	5.0Kg 11.0lbs	1000PCS	2366PCS
GL-UFO-Y2-240	380*380*185mm1	1PCS	3.9Kg 8.58 lbs	5.0Kg 11.0lbs	1000PCS	2366PCS

# Packing

