

**TOPSTAR™**

**LED LUMINAIRE**

**LINEAR HIGH BAY**



TOPSTAR'S LED Linear Highbay light is a design based on the idea of green energy. It saves about 70% energy compared with the fluorescent tubes. The Luminaire accepts 120-277VAC 50/60Hz, and have the high lumen efficiency up to 137lm/W. With well-distributed and soft light, high stability, long life, elegant and extremely professional design, this Luminaries is regarded as the leading of green Lighting for commercial and residential uses.

- Perfect fluorescent replacement
- High system efficacy up to 137 LPW
- 4000K / 5000K CCT
- THD <20%, PF>0.9, Ra 80
- Extra long 50 000 hr lifetime @ 25°C/77°F ambient fixture temperature
- 0-10V Dimmable
- Includes V-hook and chain mounting kit
- Frosted lens and wire guard is optional
- Compatible with Topstar occupancy sensors
- Suitable for dry and damp locations



Wire Guard



Frosted Lens

Ordering Code *	Watt(W)	Initial Lumen **	CRI	Color Temp	Rated Average life	Dimension LXWXH(in)	Dimmable
LH2F-8YY-100P-M1-D	100	13500	82	4000K/5000K	50,000	24.0x11.0x1.6	Y
LH2F-8YY-150P-M1-D	150	20000	82	4000K/5000K	50,000	24.0x11.0x1.6	Y
LH2F-8YY-200P-M1-D	200	27500	82	4000K/5000K	50,000	24.0x15.7x1.6	Y
*** LH4F-8YY-300P-M1-D	300	40000	82	4000K/5000K	50,000	48.0x15.7x1.6	Y

\* Where YY means 40-50 which indicates color temperature  
 \*\* Initial Lumen above is @ 4000K  
 \*\*\* No stock currently in US

## Installation Guide

There are two mounting methods, each of which is illustrated below.

### ① Suspended from Chain

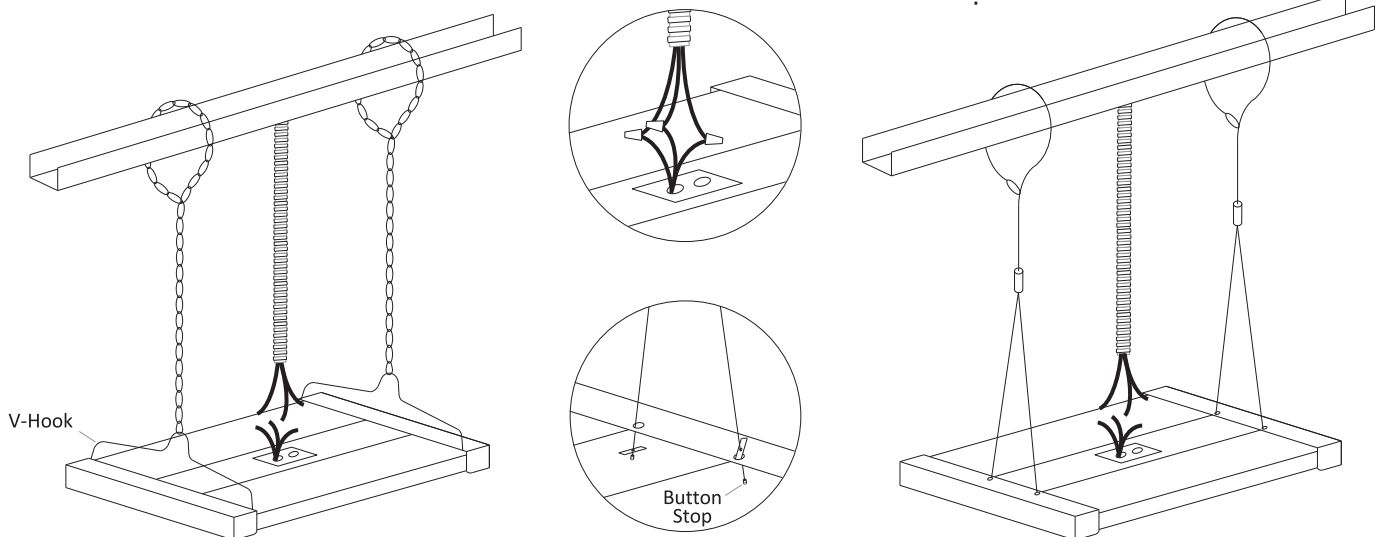
To suspend the highbay luminaire from chain, attached the enclosed v-hooks to the holes on the end caps. Secure the chain to a secure, stationary structure, and use the spring clips on the end of the chains to attach the chain to the v-hooks.

Make wiring connections as shown below and in the *Wiring Diagram*.

### ② Suspended from Cable

To suspend the highbay luminaire from cable, slide the button stop attached to the end of the optional cable kit through the hole in the housing. Then, slide the rectangular plate installed on the cable through the hole. Secure the cable to a secure, stationary structure.

Make wiring connections as shown below and in the *Wiring Diagram*.

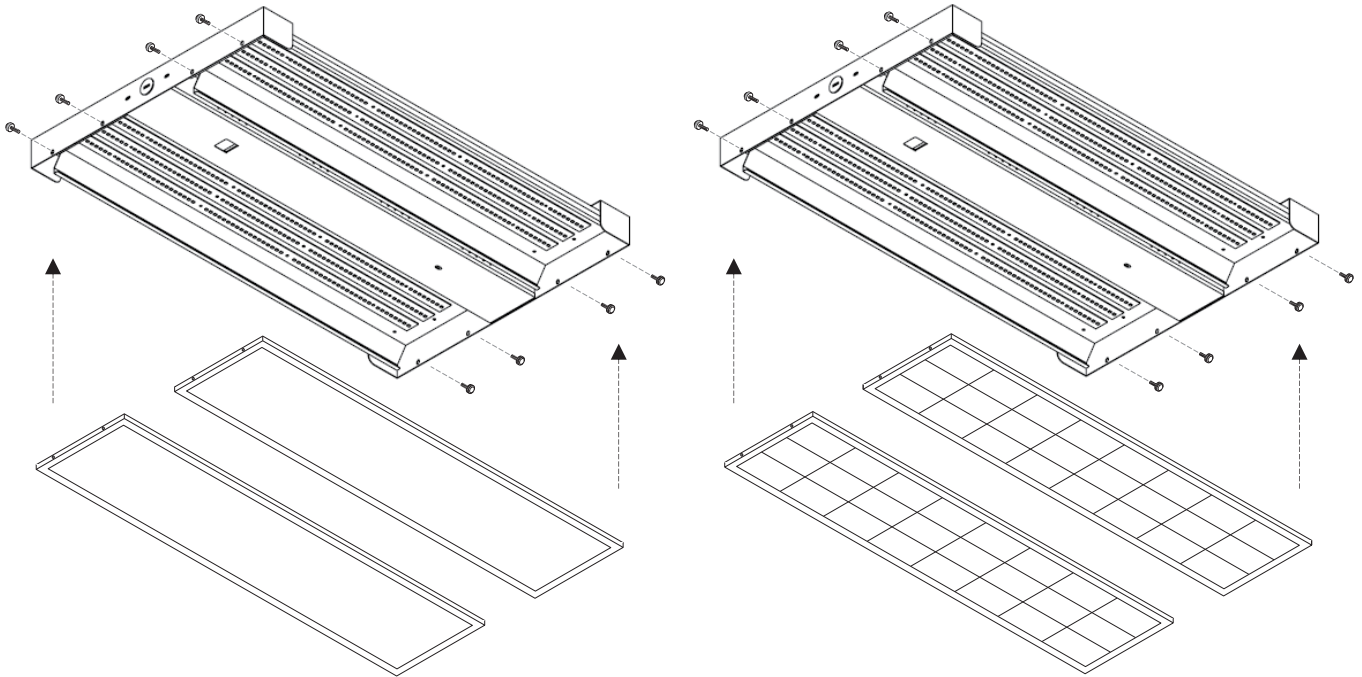


## Caution:

- Please read this instruction manual before installation.
- These luminaires must be installed by a qualified electrician.
- Suitable for damp locations.
- For ambient lighting of interior commercial and industrial spaces, including warehouses, manufacturing plants, sporting venues, offices and retail spaces.
- Please save this instruction manual for future use after installation.

## Lenses & Wire Guards:

To attach either lenses or wire guards to the luminaire, align the holes at the ends of the lenses and wire guards with the holes at the ends of the housing. Then, screw the threaded thumb screws through the housing into the lens or wire guard.



## Wiring Diagram:

