

# TTV/TTF-G1 TROFFER TRANSFORMER | RETROFIT KIT + NEW FIXTURE | VOLUMETRIC + FLAT PANEL STYLES



## 1 piece design = easy install



VOLUMETRIC (TTV)

1st to market

...to have the ability to be installed as a retrofit kit and as a new fixture

...is a door style retrofit kit with just one piece, creating a seamless, no air gap look

...you can choose from a volumetric or a flat panel design

3 sizes to choose from (2x2, 2x4, 1x4)



FLAT PANEL (TTF)

flex:COLOR

choose from 3 different color temperatures

flex:WATT

4 wattages in one product

flex:CONTROL

order without controls, with basic sensor, or advanced Bluetooth mesh control

### DEFAULT CONFIGURATIONS

PART #	UPC	WATTAGE	LUMENS	LPW	CCT (K)	DLC PRODUCT CODE
RP-TTV-G1-2X2-20L-840-FWFC	844006052904	16/20/24/28	2032	127	3500/4000/5000	
RP-TTV-G1-1X4-25L-840-FWFC	844006053055	16/20/24/28	2480	127	3500/4000/5000	
RP-TTV-G1-2X4-33L-840-FWFC	844006053178	20/26/34/40	3390	130	3500/4000/5000	
RP-TTF-G1-2X2-20L-840-FWFC	844006053260	16/20/24/28	2032	127	3500/4000/5000	
RP-TTF-G1-1X4-25L-840-FWFC	844006053413	16/20/24/28	2480	124	3500/4000/5000	
RP-TTF-G1-2X4-33L-840-FWFC	844006053536	20/26/34/40	3390	130	3500/4000/5000	

Default settings are above. See page 2 for additional lumen packages, color temperatures and options.



Light Efficient Design

RemPhos

LIGHT EFFICIENT DESIGN HEADQUARTERS 188 S. Northwest Highway • Cary, IL 60013  
 INNOVATION & MANUFACTURING CENTER 30 Log Bridge Road, Building 200 • Middleton, MA 01949  
 847.380.3540 • led-llc.com

7.2.20 Information is subject to change without notice.

# TTV/TTF-G1 TROFFER TRANSFORMER | RETROFIT KIT + NEW FIXTURE | VOLUMETRIC + FLAT PANEL STYLES



## PART NUMBER BUILDER

MFR	PRODUCT	GEN	SIZE	WATTAGE	COLOR	FUNCTION	OPTIONS	REV
RP	TTV	G1				FWFC		

2X2 → 20L,25L,31L,36L    835=3500K/85CRI  
 1X4 → 20L,25L,31L,36L    840=4000K/85CRI  
 2X4 → 25L,33L,43L,53L    850=5000K/85CRI

FWFC= FlexWatt + FlexColor  
 -OCC=high/low motion sensor  
 -EMG=90min emergency battery backup  
 -AIR = Air Return Trim  
 -Advanced control options available, call for more

### ORDERING EXAMPLE

RP-TTV-G1-2X2-20L-840-FWFC

SURFACE MOUNT ACCESSORIES
RPT-LEDPANEL-SMK-2X2
RPT-LEDPANEL-SMK-1X4
RPT-LEDPANEL-SMK-2X4

**DEFAULT LUMEN PACKAGE (WATTAGE AND CCT) ARE SHOWN BELOW IN BOLD.** There are two ways to achieve a non-default lumen package and/or CCT -  
 1. You can easily adjust in field via our FlexWatt and FlexColor internal switches. 2. Have us adjust the FlexWatt and FlexColor at the factory for an additional charge.

## ORDERING GUIDE

PART #	UPC	WATTAGE	LUMENS	LPW	CCT (K)	DLC PRODUCT CODE
RP-TTV-G1-2X2-20L-835-FWFC	844006052898	16	2000		3500	
<b>RP-TTV-G1-2X2-20L-840-FWFC</b>	844006052904	<b>16</b>	<b>2032</b>		<b>4000</b>	
RP-TTV-G1-2X2-20L-850-FWFC	844006052911	16	2032		5000	
RP-TTV-G1-2X2-25L-835-FWFC	844006052928	20	2500		3500	
RP-TTV-G1-2X2-25L-840-FWFC	844006052935	20	2540		4000	
RP-TTV-G1-2X2-25L-850-FWFC	844006052942	20	2540		5000	
RP-TTV-G1-2X2-31L-835-FWFC	844006052959	24	3072		3500	
RP-TTV-G1-2X2-31L-840-FWFC	844006052966	24	3120		4000	
RP-TTV-G1-2X2-31L-850-FWFC	844006052973	24	3120		5000	
RP-TTV-G1-2X2-36L-835-FWFC	844006052980	28	3584		3500	
RP-TTV-G1-2X2-36L-840-FWFC	844006052997	28	3640		4000	
RP-TTV-G1-2X2-36L-850-FWFC	844006053000	28	3640		5000	
RP-TTV-G1-1X4-20L-835-FWFC	844006053017	16	1968		3500	
RP-TTV-G1-1X4-20L-840-FWFC	844006053024	16	1984		4000	
RP-TTV-G1-1X4-20L-850-FWFC	844006053031	16	2000		5000	
RP-TTV-G1-1X4-25L-835-FWFC	844006053048	20	2460		3500	
<b>RP-TTV-G1-1X4-25L-840-FWFC</b>	844006053055	<b>20</b>	<b>2480</b>		<b>4000</b>	
RP-TTV-G1-1X4-25L-850-FWFC	844006053062	20	2500		5000	
RP-TTV-G1-1X4-31L-835-FWFC	844006053079	24	3000		3500	
RP-TTV-G1-1X4-31L-840-FWFC	844006053086	24	3048		4000	
RP-TTV-G1-1X4-31L-850-FWFC	844006053093	24	3100		5000	
RP-TTV-G1-1X4-36L-835-FWFC	844006053109	28	3500		3500	
RP-TTV-G1-1X4-36L-840-FWFC	844006053116	28	3556		4000	
RP-TTV-G1-1X4-36L-850-FWFC	844006053123	28	3556		5000	
RP-TTV-G1-2X4-25L-835-FWFC	844006053130	20	2540		3500	
RP-TTV-G1-2X4-25L-840-FWFC	844006053147	20	2600		4000	
RP-TTV-G1-2X4-25L-850-FWFC	844006053154	20	2600		5000	
RP-TTV-G1-2X4-33L-835-FWFC	844006053161	26	3350		3500	
<b>RP-TTV-G1-2X4-33L-840-FWFC</b>	844006053178	<b>26</b>	<b>3390</b>		<b>4000</b>	
RP-TTV-G1-2X4-33L-850-FWFC	844006053185	26	3400		5000	
RP-TTV-G1-2X4-43L-835-FWFC	844006053192	34	4390		3500	
RP-TTV-G1-2X4-43L-840-FWFC	844006053208	34	4450		4000	
RP-TTV-G1-2X4-43L-850-FWFC	844006053215	34	4450		5000	
RP-TTV-G1-2X4-53L-835-FWFC	844006053222	40	5160		3500	
RP-TTV-G1-2X4-53L-840-FWFC	844006053239	40	5300		4000	
RP-TTV-G1-2X4-53L-850-FWFC	844006053246	40	5300		5000	



RemPhos

# TTV/TTF-G1 TROFFER TRANSFORMER | RETROFIT KIT + NEW FIXTURE | VOLUMETRIC + FLAT PANEL STYLES



## PART NUMBER BUILDER

MFR	PRODUCT	GEN	SIZE	WATTAGE	COLOR	FUNCTION	OPTIONS	REV
RP	TTF	G1				FWFC		

2X2 → 20L,25L,31L,36L  
 1X4 → 20L,25L,31L,36L  
 2X4 → 25L,33L,43L,53L

835=3500K/85CRI  
 840=4000K/85CRI  
 850=5000K/85CRI

FWFC=  
 FlexWatt + FlexColor

-OCC=high/low motion sensor  
 -EMG=90min emergency battery backup  
 -AIR = Air Return Trim  
 -Advanced control options available, call for more

### ORDERING EXAMPLE

RP-TTF-G1-2X2-20L-840-FWFC

#### SURFACE MOUNT ACCESSORIES

RPT-LEDPANEL-SMK-2X2  
 RPT-LEDPANEL-SMK-1X4  
 RPT-LEDPANEL-SMK-2X4

**DEFAULT LUMEN PACKAGE (WATTAGE AND CCT) ARE SHOWN BELOW IN BOLD.** There are two ways to achieve a non-default lumen package and/or CCT -

1. You can easily adjust in field via our FlexWatt and FlexColor internal switches. 2. Have us adjust the FlexWatt and FlexColor at the factory for an additional charge.

## ORDERING GUIDE

PART #	UPC	WATTAGE	LUMENS	LPW	CCT (K)	DLC PRODUCT CODE
RP-TTF-G1-2X2-20L-835-FWFC	844006053253	16	2000		3500	
<b>RP-TTF-G1-2X2-20L-840-FWFC</b>	844006053260	<b>16</b>	<b>2032</b>		<b>4000</b>	
RP-TTF-G1-2X2-20L-850-FWFC	844006053277	16	2032		5000	
RP-TTF-G1-2X2-25L-835-FWFC	844006053284	20	2500		3500	
RP-TTF-G1-2X2-25L-840-FWFC	844006053291	20	2540		4000	
RP-TTF-G1-2X2-25L-850-FWFC	844006053307	20	2540		5000	
RP-TTF-G1-2X2-31L-835-FWFC	844006053314	24	3072		3500	
RP-TTF-G1-2X2-31L-840-FWFC	844006053321	24	3120		4000	
RP-TTF-G1-2X2-31L-850-FWFC	844006053338	24	3120		5000	
RP-TTF-G1-2X2-36L-835-FWFC	844006053345	28	3584		3500	
RP-TTF-G1-2X2-36L-840-FWFC	844006053352	28	3640		4000	
RP-TTF-G1-2X2-36L-850-FWFC	844006053369	28	3640		5000	
RP-TTF-G1-1X4-20L-835-FWFC	844006053376	16	1968		3500	
RP-TTF-G1-1X4-20L-840-FWFC	844006053383	16	1984		4000	
RP-TTF-G1-1X4-20L-850-FWFC	844006053390	16	2000		5000	
RP-TTF-G1-1X4-25L-835-FWFC	844006053406	20	2460		3500	
<b>RP-TTF-G1-1X4-25L-840-FWFC</b>	844006053413	<b>20</b>	<b>2480</b>		<b>4000</b>	
RP-TTF-G1-1X4-25L-850-FWFC	844006053420	20	2500		5000	
RP-TTF-G1-1X4-31L-835-FWFC	844006053437	24	3000		3500	
RP-TTF-G1-1X4-31L-840-FWFC	844006053444	24	3048		4000	
RP-TTF-G1-1X4-31L-850-FWFC	844006053451	24	3100		5000	
RP-TTF-G1-1X4-36L-835-FWFC	844006053468	28	3500		3500	
RP-TTF-G1-1X4-36L-840-FWFC	844006053475	28	3556		4000	
RP-TTF-G1-1X4-36L-850-FWFC	844006053482	28	3556		5000	
RP-TTF-G1-2X4-25L-835-FWFC	844006053499	20	2540		3500	
RP-TTF-G1-2X4-25L-840-FWFC	844006053505	20	2600		4000	
RP-TTF-G1-2X4-25L-850-FWFC	844006053512	20	2600		5000	
RP-TTF-G1-2X4-33L-835-FWFC	844006053529	26	3350		3500	
<b>RP-TTF-G1-2X4-33L-840-FWFC</b>	844006053536	<b>26</b>	<b>3390</b>		<b>4000</b>	
RP-TTF-G1-2X4-33L-850-FWFC	844006053543	26	3400		5000	
RP-TTF-G1-2X4-43L-835-FWFC	844006053550	34	4390		3500	
RP-TTF-G1-2X4-43L-840-FWFC	844006053567	34	4450		4000	
RP-TTF-G1-2X4-43L-850-FWFC	844006053574	34	4450		5000	
RP-TTF-G1-2X4-53L-835-FWFC	844006053581	40	5160		3500	
RP-TTF-G1-2X4-53L-840-FWFC	844006053598	40	5300		4000	
RP-TTF-G1-2X4-53L-850-FWFC	844006053604	40	5300		5000	



LIGHT EFFICIENT DESIGN HEADQUARTERS 188 S. Northwest Highway • Cary, IL 60013  
 INNOVATION & MANUFACTURING CENTER 30 Log Bridge Road, Building 200 • Middleton, MA 01949

847.380.3540 • led-llc.com

7.2.20 Information is subject to change without notice.



## TROFFER TRANSFORMER INSTALLATION GUIDE (RETROFIT)

### 1. SHUT OFF POWER TO THE FIXTURE

Open the fixture lens and remove the existing fluorescent lamps, ballast cover and lens. Disconnect the ballast from the building's line voltage.



### 2. INSTALL D-RING HOOKS TO THE EXISTING FIXTURE

Using the supplied (2) D-ring hooks and (2) self-drilling screws, attach D-rings to the fixture housing.



### 3. ATTACH CARABINERS/SAFETY CABLES

Attach the (2) carabiners (connected to the Troffer Transformer) to the (2) previously installed D-rings. Now the fixture will be hanging in place which will make the rest of the install easier.



### 4. MAKE ELECTRICAL CONNECTIONS

Connect input power via the included quick disconnect.



### 5. INSTALL KNIFE-EDGE

Align the knife-edge of the Troffer Transformer with the T-bar grid and push. The knife will be sandwiched between the T-bar and the old fixture.



### 6. TWIST EXPANDING FINGERS OUT

Push the other side of the Troffer Transformer up into the existing fixture. With provided key or standard flat-head screwdriver, twist the Twist-Lock in order to expand the fingers, thus securing the Troffer-Transformer in place. Turn power back on and install is complete!



# TTV/TTF-G1 TROFFER TRANSFORMER | RETROFIT KIT + NEW FIXTURE | VOLUMETRIC + FLAT PANEL STYLES

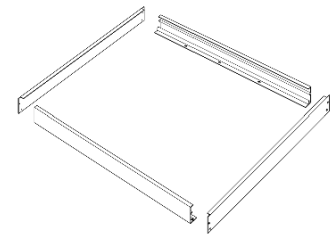
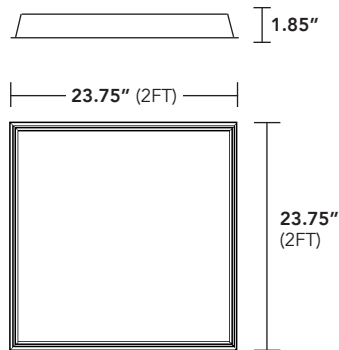
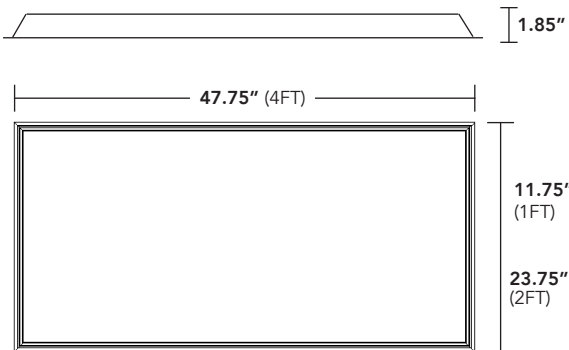


## -AIR

Use the Troffer Transformer Air Return Option (...-AIR) on flat panel or volumetric versions to include air return slots in the fixture trim.



AIR RETURN SLOTS



SURFACE MOUNT KIT ACCESSORY (2X2 SHOWN)  
HEIGHT/DEPTH OF KIT 2.5"



RemPhos

LIGHT EFFICIENT DESIGN HEADQUARTERS 188 S. Northwest Highway • Cary, IL 60013  
INNOVATION & MANUFACTURING CENTER 30 Log Bridge Road, Building 200 • Middleton, MA 01949  
847.380.3540 • led-llc.com

7.2.20 Information is subject to change without notice.

# TTV/TTF-G1 TROFFER TRANSFORMER | RETROFIT KIT + NEW FIXTURE | VOLUMETRIC + FLAT PANEL STYLES



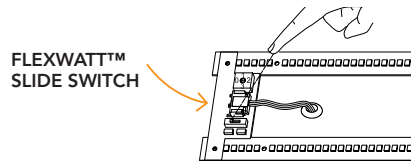
TROFFER FEATURES	OUR DESIGN	EVERYONE ELSE
BRACKET DESIGN	Single piece	Multiple bracket pieces
UNIVERSAL TROFFER FIT	Fits every single troffer	Fits some, doesn't fit others
TRIM THAT COVERS UP AIR GAP AROUND FRAME	YES	NO. Ugly air gap depending on the fixture it goes into
FAST 3-MIN INSTALL	YES	NO. 5-15 min or more
DESIGN	Available in both flat panel & volumetric looks	1 or the other
ADJUSTABLE WATTAGE OR COLOR ALL-IN-ONE	YES. FlexWatt & FlexColor	Maybe
CAN BE INSTALLED EITHER AS A RETROFIT OR A NEW FIXTURE	YES. Single product can be used as either	NO. Either purchase door retrofit kit or new fixture



## HOW EASY IS IT TO SET?

Simply open the fixture, and adjust the 4-position slide switch with your finger. Takes 30 seconds max

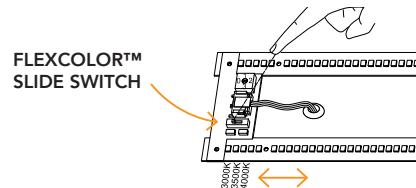
FLEXWATT SLIDE SWITCH POSITION				
SIZE	0	1	2	3
2X2	16W (2000-2032LM)	20W (2500-2540LM)	24W (3072-3120LM)	28W (3584-3640LM)
1X4	16W (1968-2000LM)	20W (2460-2500LM)	24W (3000-3100LM)	28W (3500-3556LM)
2X4	20W (2540-2600LM)	26W (3350-3400LM)	34W (4390-4450LM)	40W (5160-5300LM)



## HOW EASY IS IT TO SET?

Simply open the fixture, and adjust the 3-position slide switch with your fingers. Takes 30 seconds max.

FLEXCOLOR SLIDE SWITCH POSITION			
SIZE	TOP	MIDDLE	BOTTOM
2X2	3500K	4000K	5000K
1X4	3500K	4000K	5000K
2X4	3500K	4000K	5000K



- Fixture comes with 10V dimming; Dim-to-off driver w/ 12V DC aux power.
- Fixture can be used with Basic PIR fixture level control or advanced Bluetooth Mesh Sensor control system

