

ATG's DUO Curved Stairwell fixtures, available in 2' and 4' lengths with selectable wattage & CCT settings, effectively illuminate stairwells and passageways in commercial and industrial applications. The LSW's curved design allows for ceiling-to-wall installations while offering the latest, high performance components and options such as a concealed motion sensor and emergency battery backup.

Certifications and Compatibilities

Motion Sensor

0-10V Dim

-30°C - 50°C Operating

10 Year Warranty

RoHS

CE

24

FCC

DLC QUALIFIED PREMIUM

Project Details		Type
Project:		
Product:		
Prepared by:		
Notes:		

Product Highlights

- Selectable wattage & CCT
- Up to 131 LPW
- 0 - 10V dimming
- Calculated L70 > 216,000 Hours
- 10-year warranty

Product Specs	
Input Voltage (VAC)	100-277
Wattage	10, 12, 14, 18, 20, 25, 30, 40,
CCT (K)	3000, 4000, 5000* Switchable
Projected Lifetime	216,000 Hours (Calculated L70) 360,000 Hours (Reported L70)
Limited Warranty	10 Years [†]
CRI	80+
Finish Color	White (JA01WZ)
Housing	Die Cast Aluminum
Optic Types	Frosted, Clear
Dimming	0-10V Dimming (0% to 100%)
Operating Temperature	-25°C ~ 40°C
IP Rating	IP20
Power Cable	4' - 18/3 SO cord

*contact sales for lead time and stock info on 3500K
 **contact sales for lead time on customized finish color
 †see website for warranty terms

Order Format										Example: LSC-2FT-30-T1-F-SL				
Series	-	Length	-	Wattage	-	Selectable CCT	-	Lens	-	Option				
LSC	-	-2FT	-	-30	30W / 20W / 14W / 10W	-	T1	CCT + Wattage Selectable	-	F	Frosted	-	SL	BRI-810-LV
	-	-4FT	-	-40	40W / 25W / 18W / 12W	-		3000K/4000K/5000K	-	C	Clear	-	S1	BRI-819
	-		-			-			-			-	EM	EM-0825-010/105-P28

Options	
SL	BRI-810-LV
S1	BRI-819
EM	EM-0825-010/105-P28

**contact sales for lead time and pricing on customized finish color

Performance Chart

Model Number	Wattage	Voltage	CRI	Optics	THD	PF	CCT	Calc. L70
LSC-2FT-30-T1-F-SL	10W/14W/20W/30W Selectable	100-277	80+	T1	<20%	>0.9	3000K/4000K/5000K Selectable	216,000 Hrs
LSC-4FT-40-T1-F-SL	12W/18W/25W/40W Selectable	100-277	80+	T1	<20%	>0.9	3000K/4000K/5000K Selectable	216,000 Hrs

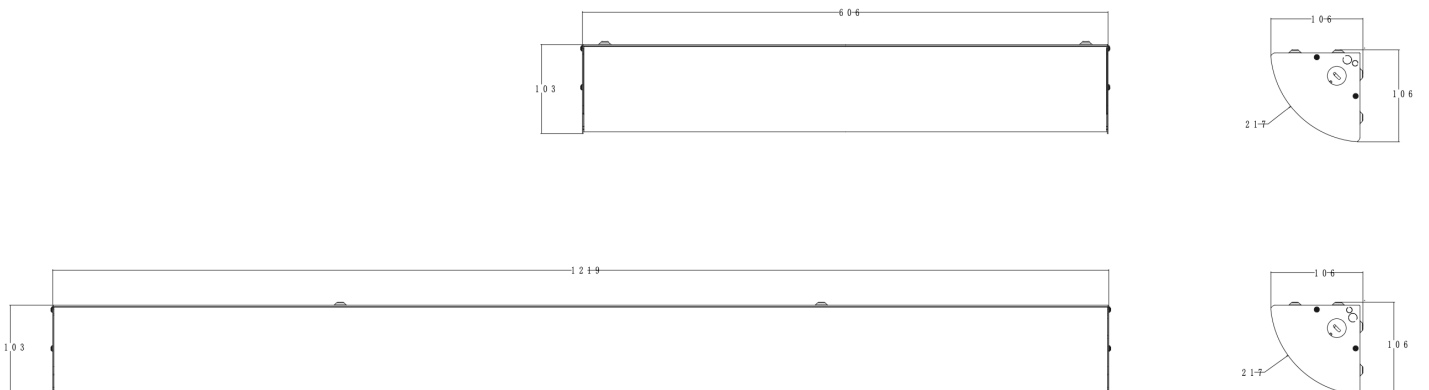
Model Number	3000K Frosted			3000K Clear		
	System Watts	Efficacy (LPW)	Lumen (LM)	Watts	Efficacy (LPW)	Lumen (LM)
LSC-2FT-30-T1-F-SL 10W / 14W / 20W / 30W	10	115.3	1152.7			
	14	118.3	1655.8			
	20	114.6	2291.2			
	30	116.5	3494.3			
LSC-4FT-40-T1-F-SL 12W / 18W / 25W / 40W	12	131.4	1576.7			
	18	122.6	2206.4			
	25	124.5	3112.9			
	40	121.5	4858.4			

DLC Chart

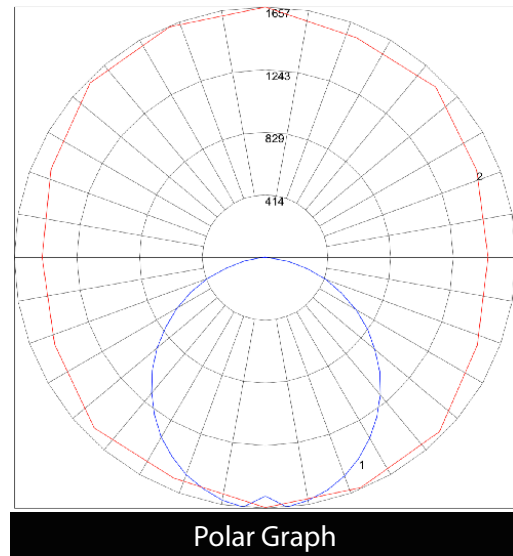
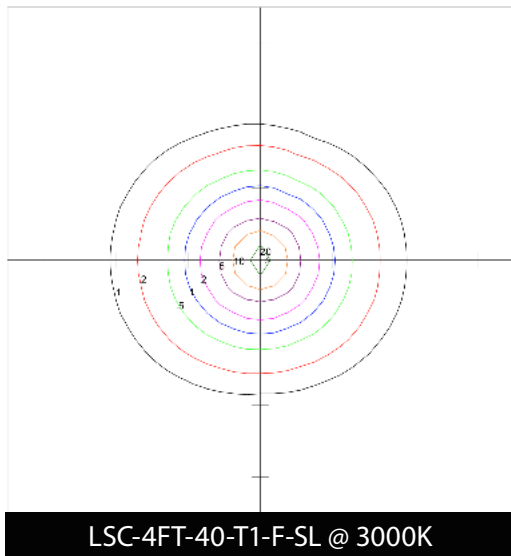
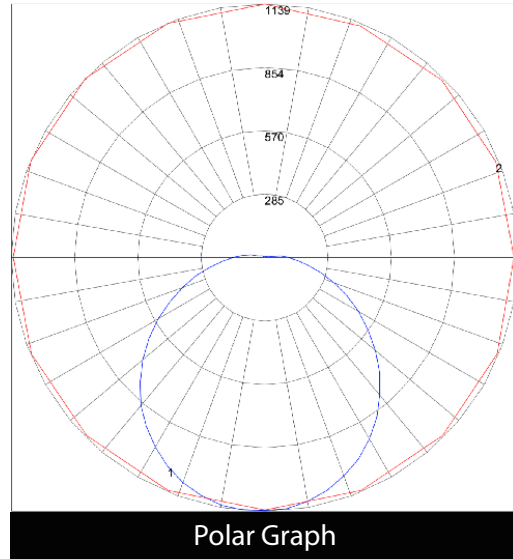
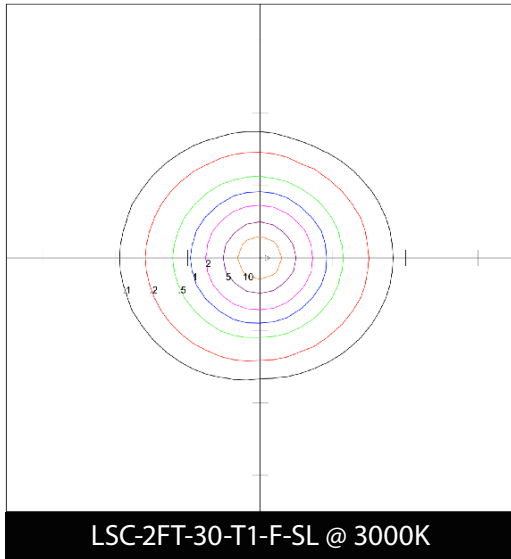
Model Number	Part Number	DLC ID	Part Number	DLC ID	
LSC-2FT-30-T1-F-SL	10W	LSC-2FT-10-T1-F-SL-Z	PLIKJ4MC15BM	LSW-2FT-10-T1-F-SL-Z	PLBFZOU1LDI3
	14W	LSC-2FT-14-T1-F-SL-Z	PLFPCSZKROJH	LSW-2FT-15-T1-F-SL-Z	PLU4ZEBZ4IU2
	20W	LSC-2FT-20-T1-F-SL-Z	PL49L9JWSFGH	LSW-2FT-20-T1-F-SL-Z	PL7V4LVD2SCT
	30W	LSC-2FT-30-T1-F-SL-Z	PLLXVSF6S1A6	LSW-2FT-30-T1-F-SL-Z	PL6LNFNLQP4U
LSC-4FT-40-T1-F-SL	12W	LSC-4FT-12-T1-F-SL-Z	PLU2I1HGQP1M	LSW-2FT-10-T1-C-SL-Z	PLBTW0HU78P7
	18W	LSC-4FT-18-T1-F-SL-Z	PLPJHUIA17Y2	LSW-2FT-15-T1-C-SL-Z	PLOHT12ECIVC
	25W	LSC-4FT-25-T1-F-SL-Z	PL1L9Z7L7ZIV	LSW-2FT-20-T1-C-SL-Z	PL2F135J6LM8
	40W	LSC-4FT-40-T1-F-SL-Z	PL5X5JOCLH2N	LSW-2FT-30-T1-C-SL-Z	PL0KB7VZYT7N

Dimensions

LSC



Photometrics



Electrical Accessories

EM-0825-010/105-P28

Emergency Driver Pack



UL listed emergency driver pack (with LiFePO4 battery) for indoor fixtures.

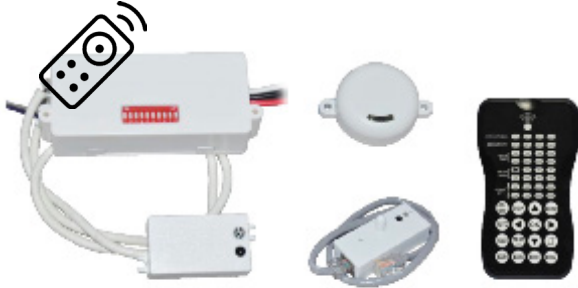
FEATURES

- | | |
|------------------|---------------------|
| • Input Voltage | 120-277VAC 50/60 Hz |
| • Output Power | 8W |
| • Output Voltage | 11-56VAC |
| • Emergency | 90 mins |

[Download the PDF of the EM-0825-010 here.](#)

BRI-810

Bi-Level Sensor



The BRI810-B-F is a moving object sensor with 360° detect range and 5.8GHz working frequency. It provides multi-level control based on motion and daylight contribution. Setting can be adjusted via remote controller.

FEATURES

- Rated Voltage 120-277VAC
- Rated Frequency 50/60 Hz
- Remote Range 33FT
- Ambient Temperature -40°C~+70°C

[Download the PDF of the BRI-810 here.](#)

BRI-819

Bi-Level and On/Off Sensor



The BRI819P indoor sensors provide multi-level occupancy control. All parameters are adjustable via a wireless configuration tool capable of storing and transmitting sensor profiles.

FEATURES

- Rated Voltage 120-277V
- Rated Frequency 50/60 Hz
- Remote Range 50ft
- Ambient Temperature -40°C~+70°C

[Download the PDF of the BRI-819 here.](#)