

SCORPION

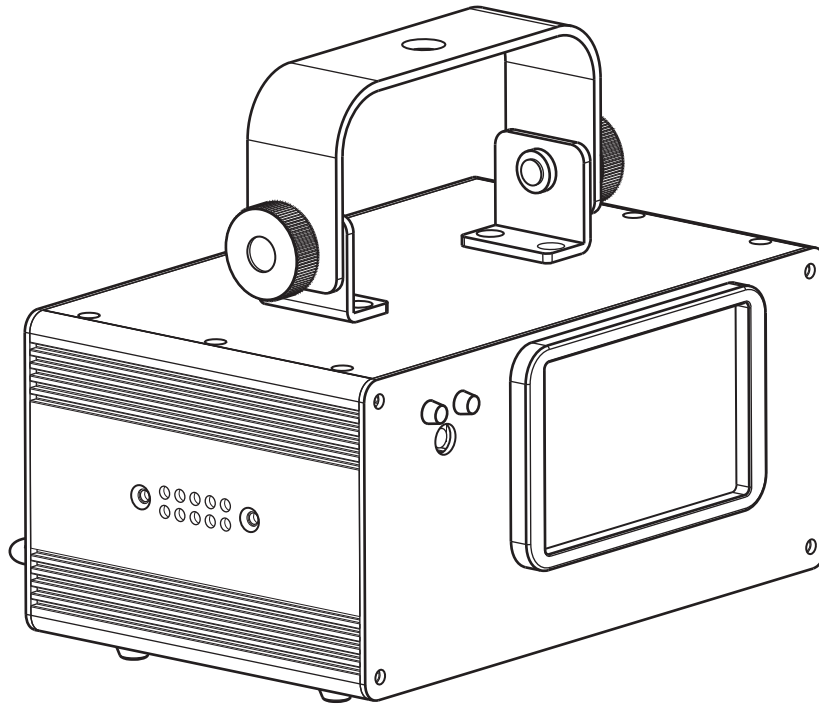
DUAL RGB

User Manual

English
Español
Français



LASER LIGHT
AVOID DIRECT EYE EXPOSURE
CLASS 3R LASER PRODUCT
CLASSIFIED PER EN/IEC 60825-1:2007
Complies with FDA performance standards for laser products except for deviations pursuant to Laser Notice No. 50, dated June 24, 2007.



CHAUVET

TABLE OF CONTENTS

. Warranty/Garantía/Garantie	1
Limited Warranty.....	1
Garantía Limitada.....	1
Garantie Limitée.....	1
1. Before You Begin	2
What Is Included	2
Unpacking Instructions.....	2
Claims	2
Text Conventions	2
Symbols	2
Disclaimer	2
Intellectual Property	2
Safety Notes.....	3
Non-Interlocked Housing Warning	4
Laser Safety Notes.....	4
Laser Safety Label Reproduction.....	5
Laser Emission Data	5
Laser Compliance Statement.....	5
2. Introduction	6
Product Overview.....	6
Product Dimensions	6
3. Setup	7
AC Power.....	7
Fuse Replacement.....	7
Power Linking.....	7
Mounting	8
Orientation.....	8
Rigging	8
Proper Usage	8
4. Operation	9
Control Panel Operation.....	9
Menu Map	9
Configuration (DMX)	9
Starting Address.....	9
DMX Channel Assignments and Values	10
10-Channel.....	10
Patterns	11
Configuration (Standalone)	12
Automatic Mode	12
Sound-Active Mode.....	12
Sound Sensitivity	12
Test Mode	12
IRC-6 Infrared Remote Control	13
IRC-6 Operation	13
Master/Slave Mode	14
5. Maintenance	15
Product Maintenance	15
6. Technical Specifications	16
Returns	17
Contact Us	18

ÍNDICE

1. Antes de Empezar	19
Qué va Incluido	19
Instrucciones de Desembalaje	19
Reclamaciones.....	19
Convenciones del Manual.....	19
Símbolos	19
Exención de responsabilidad	19
Propiedad intelectual.....	19
Notas de Seguridad	20
Advertencia sobre Carcasa no Cerrada.....	21
Notas de Seguridad sobre Láser	21
Reproducción de la Etiqueta de Seguridad del Láser.....	22
Datos de Emisión Láser.....	22
Declaración de Conformidad Láser.....	22
2. Introducción.....	23
Vista general del producto	23
Dimensiones del producto.....	23
3. Instalación.....	24
Corriente alterna	24
Sustitución del fusible	24
Alimentación en cadena.....	24
Montaje	25
Orientación.....	25
Colocación	25
Uso Adecuado.....	25
4. Funcionamiento.....	26
Funcionamiento del panel de control	26
Mapa de menú	26
Configuración (DMX).....	26
Dirección de inicio	26
Valores y asignaciones de canal DMX.....	27
10 canales.....	27
Patrones.....	28
Configuración (Independiente).....	29
Modo automático.....	29
Modo sonido.....	29
Sensibilidad al sonido	29
Modo prueba	29
IRC-6 control remoto por infrarrojos.....	30
Funcionamiento de IRC-6	30
Modo Maestro/Esclavo.....	31
5. Mantenimiento	32
Mantenimiento del producto.....	32
6. Especificaciones Técnicas	33
Devoluciones	34
Contacto	35

TABLE DES MATIÈRES

1. Avant de Commencer	36
Ce Qui Est Compris	36
Instructions Relatives au Déballage.....	36
Réclamations	36
Conventions manuelles.....	36
Symboles	36
Clause de Non-Responsabilité.....	36
Propriété intellectuelle.....	36
Consignes de Sécurité	37
Avertissement : Boîtier non Verrouillable	38
Consignes de Sécurité Relatives au Laser	38
Reproduction de l'Étiquette de Sécurité Laser.....	39
Données d'émission laser	39
Déclaration de Conformité Laser	39
2. Introduction	40
Vue d'ensemble du produit.....	40
Dimensions du produit	40
3. Configuration	41
Alimentation CA.....	41
Remplacement des fusibles	41
Connexion électrique	41
Installation	42
Orientation.....	42
Suspension	42
Utilisation Adéquate	42
4. Fonctionnement	43
Fonctionnement du Panneau de Commande	43
Plan du menu	43
Configuration (DMX)	43
Adresse de départ.....	43
Affectation de canaux DMX et valeurs	44
10 canaux.....	44
Motifs.....	45
Configuration (Autonome)	46
Mode Automatique	46
Mode d'activation par le son	46
Sensibilité sonore.....	46
Mode test	46
IRC-6 télécommande par infrarouge.....	47
Fonctionnement de la IRC-6	47
Mode maître/esclave.....	48
5. Entretien	49
Entretien de l'appareil	49
6. Spécificités Techniques	50
Renvois	51
Nous Contacter	52

Warranty/Garantía/Garantie

Limited Warranty

FOR WARRANTY REGISTRATION AND COMPLETE TERMS AND CONDITIONS PLEASE VISIT OUR WEBSITE.

For Customers in the United States and Mexico: www.chauvetlighting.com/warranty-registration.

For Customers in the United Kingdom, Republic of Ireland, Belgium, the Netherlands, Luxembourg, France, and Germany: www.chauvetlighting.eu/warranty-registration.

Chauvet warrants that this product shall be free from defects in material and workmanship under normal use, for the period specified in, and subject to the exclusions and limitations set forth in the full limited warranty on our website. This warranty extends only to the original purchaser of the product and is not transferable. To exercise rights under this warranty, you must provide proof of purchase in the form of an original sales receipt from an authorized dealer that shows the product name and date of purchase. THERE ARE NO OTHER EXPRESS OR IMPLIED WARRANTIES. This warranty gives you specific legal rights. You may also have other rights that vary from state to state and country to country. This warranty is valid only in the United States, United Kingdom, Republic of Ireland, Belgium, the Netherlands, Luxembourg, France, Germany and Mexico. For warranty terms in other countries, please consult your local distributor.

Garantía Limitada

PARA VER EL REGISTRO DE GARANTÍA Y LOS TÉRMINOS Y CONDICIONES COMPLETOS, VISITE NUESTRO SITIO WEB.

Para clientes en los Estados Unidos y México: www.chauvetlighting.com/warranty-registration.

Para clientes en Reino Unido, República de Irlanda, Bélgica, Países Bajos, Luxemburgo, Francia y Alemania: www.chauvetlighting.eu/warranty-registration.

Chauvet garantiza que este producto estará libre de defectos de material y mano de obra en condiciones de uso normales, durante el periodo especificado, sujeto siempre a las exclusiones y limitaciones establecidas en la garantía limitada completa de nuestro sitio web. Esta garantía se concede únicamente al comprador original del producto y no es transferible. Para ejercer los derechos que otorga esta garantía, usted debe proporcionar una prueba de compra en forma de un recibo de compra original, expedido por un distribuidor autorizado, donde figure el nombre del producto y la fecha de compra. NO EXISTEN OTRAS GARANTÍAS EXPRESAS NI IMPLÍCITAS. Esta garantía le otorga derechos legales específicos. Es posible que a usted le asistan otros derechos, que variarán dependiendo del estado o del país. Esta garantía solamente es válida en los Estados Unidos, Reino Unido, República de Irlanda, Bélgica, Países Bajos, Luxemburgo, Francia, Alemania y México. Para conocer los términos de garantía en otros países, consulte a su distribuidor local.

Garantie Limitée

VEUILLEZ VISITER NOTRE SITE INTERNET POUR CONSULTER LES MODALITÉS D'ENREGISTREMENT DE LA GARANTIE ET LES CONDITIONS GÉNÉRALES COMPLÈTES.

Pour les clients aux États-Unis et au Mexique: www.chauvetlighting.com/warranty-registration.

Pour les clients du Royaume-Uni, de la République d'Irlande, de la Belgique, des Pays-Bas, du Luxembourg, de la France et de l'Allemagne: www.chauvetlighting.eu/warranty-registration.

Chauvet garantit que cet appareil est exempt de défauts de matériaux et de fabrication dans des conditions normales d'utilisation, pendant la période spécifiée dans la garantie limitée complète consultable sur notre site Internet et sous réserve des exclusions et limitations qui y sont énoncées. Cette garantie ne s'applique qu'à l'acheteur initial du produit et n'est pas transférable. Pour exercer les droits prévus par cette garantie, vous devez fournir une preuve d'achat sous la forme d'un reçu de vente original d'un revendeur autorisé qui indique le nom du produit et la date d'achat. IL N'EXISTE AUCUNE AUTRE GARANTIE EXPRESSE OU IMPLICITE. Cette garantie vous confère des droits légaux spécifiques. Vous pouvez également bénéficier d'autres droits qui varient selon les états et les pays. Cette garantie n'est valable qu'aux États-Unis, au Royaume-Uni, en République d'Irlande, en Belgique, aux Pays-Bas, au Luxembourg, en France, en Allemagne et au Mexique. Pour connaître les conditions de garantie dans d'autres pays, veuillez consulter votre revendeur local.

1. Before You Begin

What Is Included

- Scorpion Dual RGB
- Power Cord
- User Manual

Unpacking Instructions

Carefully unpack the product immediately and check the container to make sure all the parts are in the package and are in good condition.

Claims





If the box or the contents (the product and included accessories) appear damaged from shipping, or show signs of mishandling, notify the carrier immediately, not Chauvet. Failure to report damage to the carrier immediately may invalidate your claim. In addition, keep the box and contents for inspection.

For other issues, such as missing components or parts, damage not related to shipping, or concealed damage, file a claim with Chauvet within 7 days of delivery.

Text Conventions

Convention	Meaning
1–512	A range of values
50/60	A set of values of which only one can be chosen
Settings	A menu option not to be modified
<ENTER>	A key to be pressed on the product's control panel
ON	A value to be entered or selected

Symbols

Symbol	Meaning
	Critical installation, configuration, or operation information. Not following these instructions may make the product not work, cause damage to the product, or cause harm to the operator.
	Important installation or configuration information. The product may not function correctly if this information is not used.
	Useful information.
	Laser safety information.

Disclaimer

Chauvet believes that the information contained in this manual is accurate in all respects. However, Chauvet assumes no responsibility and specifically disclaims any and all liability to any party for any loss, damage or disruption caused by any errors or omissions in this document, whether such errors or omissions result from negligence, accident or any other cause. Chauvet reserves the right to revise the content of this document without any obligation to notify any person or company of such revision, however, Chauvet has no obligation to make, and does not commit to make, any such revisions. Download the latest version from www.chauvetdj.com.

Intellectual Property

The works of authorship contained in this manual, including, but not limited to, all design, text and images are owned by Chauvet.

© Copyright 2019 Chauvet & Sons, LLC. All rights reserved.

Electronically published by Chauvet in the United States of America.

CHAUVET, the Chauvet logo, and Scorpion Dual RGB are registered trademarks or trademarks of Chauvet & Sons LLC (d/b/a Chauvet and Chauvet Lighting) in the United States and other countries. Other company and product names and logos referred to herein may be trademarks of their respective companies.

Safety Notes

The Safety Notes include important laser system safety information. Read and understand all instructions before powering on the laser for the first time. Knowing these safety instructions is crucial to avoiding laser eye injury and breaking the law. Keep this User Manual in a safe place for future reference.



STOP AND READ ALL LASER SAFETY DATA



- Lasers can be hazardous and have unique safety considerations. Permanent eye injury and blindness are possible if lasers are used incorrectly. Pay close attention to each safety REMARK and WARNING statement in this User Manual. Read all instructions carefully BEFORE operating this device.
- Always connect the product to a grounded circuit to avoid the risk of electrocution.
- Always disconnect the product from the power source before cleaning.
- Avoid direct eye exposure to the light source while the product is on.
- Make sure the power cord is not crimped or damaged.
- Never disconnect the product from power by pulling or tugging on the cord.
- If mounting the product overhead, always secure to a fastening device using a safety cable.
- Make sure there are no flammable materials close to the product when operating.
- Do not touch the product's housing when operating because it may be very hot.



- This product is not intended for permanent installation.
- Always make sure that the voltage of the outlet to which you are connecting the product is within the range stated on the decal or rear panel of the product.
- The product is for indoor use only! (IP20) To prevent risk of fire or shock, do not expose the product to rain or moisture.
- Always install the product in a location with adequate ventilation, at least 20 in (50 cm) from adjacent surfaces.
- Be sure that no ventilation slots on the product's housing are blocked.
- Never connect the product to a dimmer.
- Make sure to replace the fuse with another of the same type and rating.
- Always use the mounting bracket to carry the product.
- Do not switch the product on/off in short intervals. This will reduce the laser diode life.
- Do not shake this product. Avoid brute force when mounting or operating this product.
- ALWAYS use a safety cable when mounting the product overhead.
- The ambient operating temperature for the laser is 59 °F to 95 °F (15 °C to 35 °C). Do not operate this product outside this range.
- In the event of a serious operating problem, stop using the product immediately.
- Never try to repair the product. Repairs carried out by unskilled people can lead to damage or malfunction. Contact the nearest authorized technical assistance center.



CAUTION! Use of controls, adjustments, or procedures other than THOSE specified IN THIS USER MANUAL may result in hazardous radiation exposure.



- Avoid direct eye contact with laser light. Never intentionally expose your eyes or others to direct laser light.
- This laser product can potentially cause instant eye injury or blindness if laser light directly strikes the eyes.
- It is illegal and dangerous to shine this laser into audience areas, where the audience or other personnel could get direct laser beams or bright reflections into their eyes.
- It is a U.S. federal offense to shine any laser at aircraft.
- To eliminate wear and improve its lifespan, during periods of non-use completely disconnect from power via breaker or by unplugging it.
- DO NOT attempt any repairs. Repairs and servicing must be carried out by a certified technician. Unauthorized modifications are forbidden for safety reasons!



Keep this User Manual for future consultation. If transferring ownership of the product to another user, be sure this document is kept with the laser.

Non-Interlocked Housing Warning



- This unit contains high power laser devices internally.
- Do not open the laser housing, due to potential exposure to unsafe levels of laser radiation.
- The laser power levels, accessible if the unit is opened, can cause instant blindness, skin burns, and fires.

Laser Safety Notes



STOP AND READ ALL THE LASER SAFETY NOTES BELOW



Laser light is different from any other light. Laser light can cause eye injury if the product is not set up and used properly. Laser light is a thousand times more concentrated than any other kind of light. This concentration can cause instant eye injuries by burning the retina (the light-sensitive portion at the back of the eye). The heat from a laser light cannot be felt, but it can still injure or blind product operators and the audience. Even very small amounts of laser light at long distances are potentially hazardous.

DO NOT assume that exposure to an individual laser beam is safe, even a tiny beam split off from a larger beam. This laser product uses dozens of milliwatts of laser power—Class 3B levels internally—and splits them into multiple beams—Class 3R levels. The individual Class 3R level beams are potentially hazardous to the eyes.

DO NOT assume that a moving laser light is safe. Laser light is never without risk. Since eye injuries can occur instantly, it is critical to prevent the possibility of ANY direct eye exposure. According to laser safety regulations, it is not legal to aim Class 3R lasers into areas where people can be exposed, even if the laser is aimed below people's faces, such as at a dance floor.

- Do not operate the laser without first reading and understanding all the safety and technical data in this manual.
- ALWAYS set up and install all laser effects so that any laser light is at least 3 meters (9.8 feet) above the floor on which people are standing. See the [Proper Usage](#) section of this manual.
- After setup, and prior to public use, test the lasers to ensure they are functioning properly. Do not use the product if any defect is detected.
- DO NOT point lasers at people or animals.
- DO NOT look into the laser aperture or laser beams.
- DO NOT point lasers into areas where people could be exposed to them.
- DO NOT point lasers at highly reflective surfaces such as windows, mirrors, and shiny metal. Even laser reflections can be hazardous.
- Never point a laser at aircraft; this is a U.S. federal offense.
- Never point unterminated laser beams into the sky.
- Do not expose the output optic (aperture) to harsh cleaning chemicals.
- Do not use the laser if the housing is damaged, open, or if the optics appear damaged in any way.
- Never open the laser housing. The high laser power levels inside of the protective housing can start fires or burn skin, and will cause instant eye injury.
- Never leave this product running unattended.
- The operation of a Class 3R laser show is allowed only if the lasers are operated by a skilled and well-trained professional, who is familiar with the data included in this manual.
- The legal requirements for using laser entertainment products vary from country to country. The user is responsible for the legal requirements in the location/country of use.



CAUTION! Do not operate this device in ways not specified in this User Manual. Failure to follow the instructions will void the warranty, may damage the product, or injure the user or the audience.

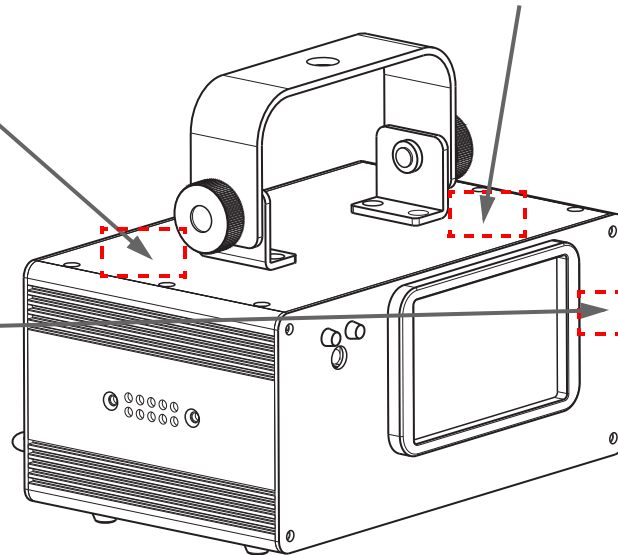


CAUTION! This product cannot be discarded with household waste. Contact your local waste management service for electronic disposal regulations in your area.

Laser Safety Label Reproduction

<p>LASER RADIATION AVOID DIRECT EYE EXPOSURE CLASS 3B LASER PRODUCT EN 60825-1:2007 Wavelength: 638nm Laser radiation class 3B</p>	<p>Manufacturer: CHAUVET LIGHTING Address: 5200 NW 108th Ave, Sunrise, FL 33351 This device complies with 21 CFR 1040.10 and 1040.11 except for deviations pursuant to Laser Notice No. 50, dated June 24, 2007. Batch No: Sept 2018</p>
	<p>WARNING Cancer and Reproductive Harm - www.P65Warnings.ca.gov</p> <p>THIS APPLIANCE MUST BE GROUNDED CETTE UNIT DOIT RE RELI LA TERRE THIS FIXTURE HAS NO REPLACEABLE FUSE CET APPAREIL N'A PAS FUSIBLE REMPLAABLE NOT FOR HOUSEHOLD USE IMPROPRE A L'SAGE DOMESTIQUE DRY LOCATIONS EMPLACEMENTS SECS DISCONNECT POWER BEFORE SERVICING DRANCHER AVANT TOUT ENTRETIEN FOR INDOOR USE ONLY USAGE INTIEUR UNIQUEMENT</p>
<p>CHAUVET 3 MODEL: SCORPION DUAL RGB LIGHT SOURCE: RGB Laser ITEM CODE: 10061542 INPUT VOLTAGE: 100-240VAC 50/60Hz ORIGIN: MADE IN P.R.C.</p>	<p>RoHS</p>

CAUTION
CLASS 3B LASER LIGHT WHEN OPEN
AVOID EXPOSURE TO THE BEAM



Laser Exposure Warning



LASER LIGHT AVOID DIRECT EYE EXPOSURE

Further guidelines and safety programs for safe use of lasers can be found in the ANSI Z136.1 Standard "For Safe Use of Lasers", available from the Laser Institute of America: www.lia.org. Many local governments, corporations, agencies, military, and others, require all lasers to be used under the guidelines of ANSI Z136.1. Laser Display guidance can be obtained via the International Laser Display Association: www.ilda.com.

Laser Emission Data

As measured under IEC measurement conditions for classification.

Laser Classification	Class 3R
Red Laser Medium	LD/638 nm/30 mW
Green Laser Medium	LD/520 nm/20 mW
Blue Laser Medium	LD/450 nm/50 mW
Beam Diameter	<5 mm at aperture
Pulse Data	All pulses < 4 Hz (>0.25 sec)
Divergence (each beam)	<2 mrad
Divergence (total light)	<160 degrees
Laser Power of Each Beam from Aperture*	<5 mW

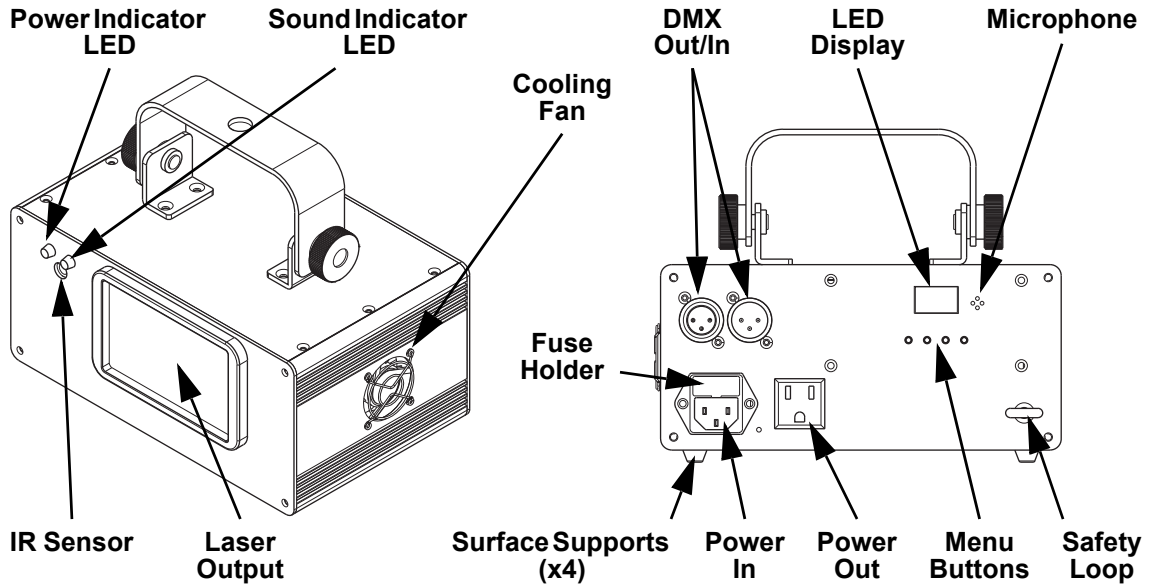
**As measured under IEC measurement conditions for classification.*

Laser Compliance Statement

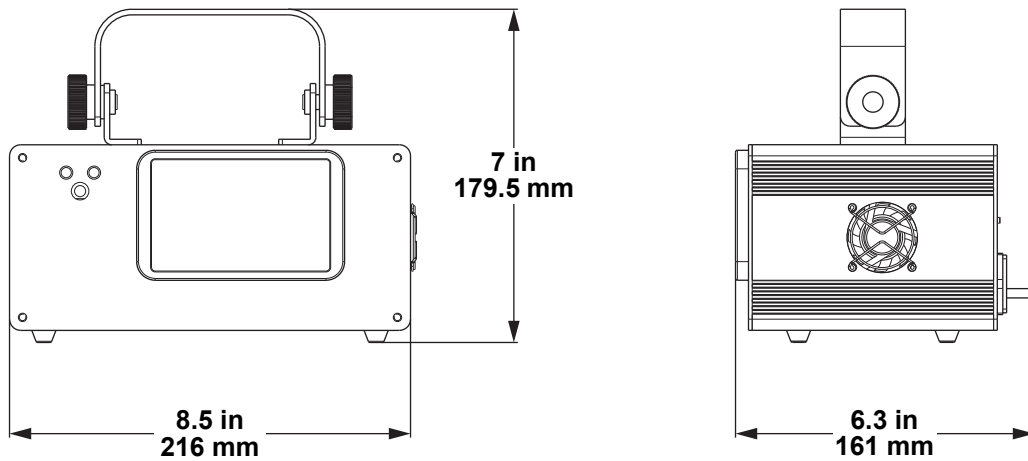
Complies with FDA performance standards for laser products except for deviations pursuant to Laser Notice No. 50, dated June 24, 2007. No maintenance is required to keep this product in compliance with laser performance standards.

2. Introduction

Product Overview



Product Dimensions



3. Setup

AC Power

The Scorpion Dual RGB has an auto-ranging power supply and it can work with an input voltage range of 100 to 240 VAC, 50/60 Hz.

To determine the product's power requirements (circuit breaker, power outlet, and wiring), use the current value listed on the label affixed to the product's back panel, or refer to the product's specifications chart.

The listed current rating indicates the product's average current draw under normal conditions.



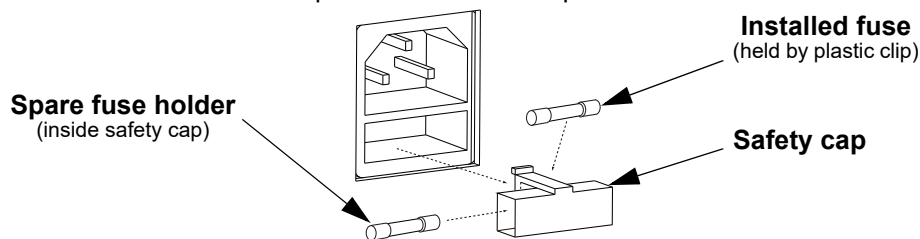
- **Always connect the product to a protected circuit (a circuit breaker or fuse). Make sure the product has an appropriate electrical ground to avoid the risk of electrocution or fire.**
- **To eliminate unnecessary wear and improve its lifespan, during periods of non-use completely disconnect the product from power via breaker or by unplugging it.**



Never connect the product to a rheostat (variable resistor) or dimmer circuit, even if the rheostat or dimmer channel serves only as a 0 to 100% switch.

Fuse Replacement

1. Disconnect the product from power.
2. Wedge the tip of a flat-head screwdriver into the slot of the fuse holder.
3. Pry the fuse holder out of the housing.
4. Remove the blown fuse from the holder and replace with a fuse of the exact same type and rating.
5. Insert the fuse holder back in place and reconnect power.



Disconnect the product from the power outlet before replacing the fuse.

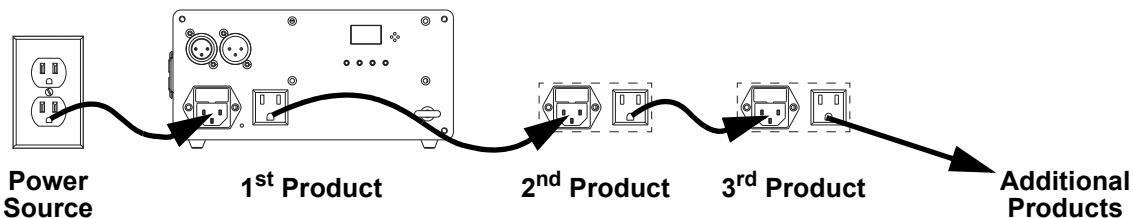


Always replace a blown fuse with one of the same type and rating.

Power Linking

The product provides power linking via the outlet located in the back of the product. See the diagram below for further explanation.

Power Linking Diagram



You can power link up to 27 Scorpion Dual RGB products on 120 VAC or up to 48 Scorpion Dual RGB products on 230 VAC.



The power linking diagram shown above corresponds to the North American version of the product ONLY! If using the product in other markets, you must consult with the local Chauvet distributor as power linking connectors and requirements may differ in your country or region.

Mounting

Before mounting the product, read and follow the safety recommendations indicated in the [Safety Notes](#).

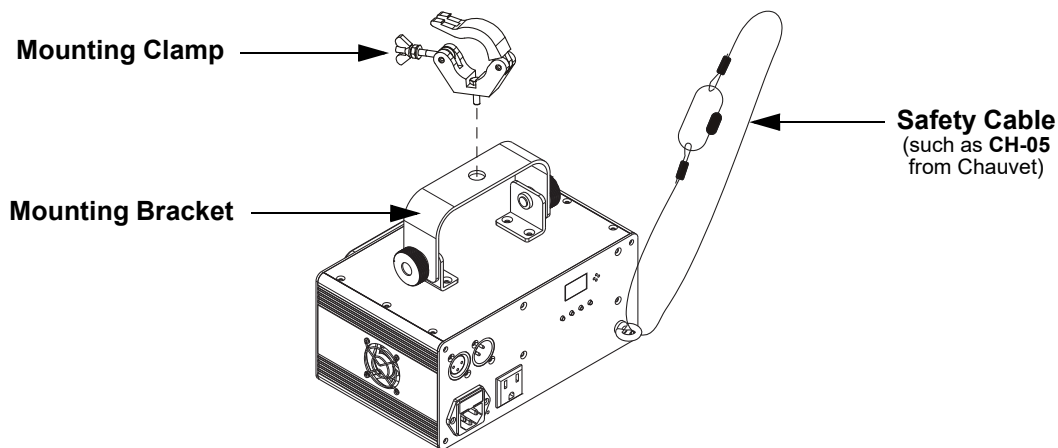
Orientation

The Scorpion Dual RGB must be mounted in a position that includes planning for safe laser usage. In addition, make sure adequate ventilation is provided around the product.

Rigging

- Before deciding on a location for the product, always make sure there is easy access to the product for maintenance and programming.
- Make sure that the structure or surface onto which you are mounting the product can support the product's weight (see the [Technical Specifications](#))
- When mounting the product overhead, always use a safety cable. Mount the product securely to a rigging point, such as an elevated platform or a truss.
- When rigging the product onto a truss, use a mounting clamp of appropriate weight capacity.
- The bracket adjustment knobs allow for directional adjustment when aiming the product to the desired angle. Only loosen or tighten the bracket knobs manually. Using tools could damage the knobs.

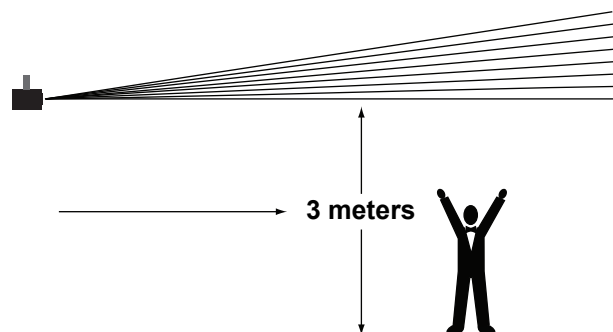
Mounting Diagram



Proper Usage

This product is for overhead mounting only. For safety purposes, Chauvet recommends mounting lighting effect products on steady elevated platforms or sturdy overhead supports using suitable hanging clamps. In all cases, use safety cables. Obtain appropriate mounting hardware from your lighting vendor.

International laser safety regulations require that laser products must be operated in the fashion illustrated below, with a minimum of 3 meters (9.8 ft) of vertical separation between the floor and the lowest laser light. Additionally, 3 meters of horizontal separation is required between laser light and audience or other public spaces.



CAUTION! Use of controls, adjustments, or procedures other than THOSE specified IN THIS USER MANUAL may result in hazardous radiation exposure.

4. Operation

This product is not designed for continual use. Make sure there are regular breaks during operation to maximize the life of the lasers. Always disconnect the Scorpion Dual RGB from power when not in use.

Control Panel Operation

To access the control panel functions, use the four buttons located underneath the display. Please refer to the [Product Overview](#) to see the button locations on the control panel.

Button	Function
<MENU>	Exits from the current menu or function
<UP>	Navigates upwards through the menu list or increases a selected numeric value
<DOWN>	Navigates downwards through the menu list or decreases a selected numeric value
<ENTER>	Enables the currently displayed menu or sets a selected value into the selected function

Menu Map

Mode	Programming Levels	Description
DMX Mode	001–503	Selects DMX starting address
Slave Mode	SLA	Slave mode
Remote Control	rEN	Wireless remote control
Test Mode	tSt	Test pattern
Auto Mode/Sound Mode	Aut	Automatic programs
	Au1–6	
	Sou	Sound-active programs
	So1–6	
Sensitivity	S 0–9	Sound sensitivity

Configuration (DMX)

The Scorpion Dual RGB works with a DMX controller. Information about DMX is in the CHAUVET DMX Primer, which is available from the Chauvet website http://www.chauvetlighting.com/downloads/DMX_Primer_rev05_WO.pdf.

Starting Address

When selecting a starting DMX address, always consider the number of DMX channels the selected DMX mode uses. If the starting address is set too high, access to some of the product's channels could be restricted.

The Scorpion Dual RGB uses 10 DMX channels, which defines the highest configurable address to **503**.

For information about the DMX protocol, download the DMX Primer from www.chauvetdj.com.

To select the starting address, do the following:

1. Press <MENU> repeatedly until **001–503** shows on the display.
2. Use <UP> or <DOWN> to increase or decrease the starting address.
3. Press <ENTER>.

DMX Channel Assignments and Values

10-Channel

Channel	Function	Value	Percent/Setting
1	Control mode	000 ⇔ 017	Manual control mode
		018 ⇔ 034	Automatic mode (multi-color)
		035 ⇔ 051	Automatic mode (red)
		052 ⇔ 068	Automatic mode (green)
		069 ⇔ 085	Automatic mode (blue)
		086 ⇔ 102	Automatic mode (yellow)
		103 ⇔ 119	Automatic mode (magenta)
		120 ⇔ 136	Automatic mode (cyan)
		137 ⇔ 153	Sound-active mode (multi-color)
		154 ⇔ 170	Sound-active mode (red)
		171 ⇔ 187	Sound-active mode (green)
		188 ⇔ 204	Sound-active mode (blue)
		205 ⇔ 221	Sound-active mode (yellow)
		222 ⇔ 238	Sound-active mode (magenta)
239 ⇔ 255	Sound-active mode (cyan)		
2	Pattern (when Ch. 3 is active)	000 ⇔ 255	See Patterns
3	Color	000 ⇔ 014	No function
		015 ⇔ 030	Multi-color
		031 ⇔ 046	Red
		047 ⇔ 062	Green
		063 ⇔ 078	Blue
		079 ⇔ 094	Yellow
		095 ⇔ 110	Magenta
		111 ⇔ 126	Cyan
		127 ⇔ 149	Red and green program
		150 ⇔ 174	Green and blue program
		175 ⇔ 199	Red and blue program
		200 ⇔ 224	All colors program
		225 ⇔ 255	Multi-color program
4	Strobe (when Ch. 3 is 015 ⇔ 126)	000 ⇔ 004	No function
		005 ⇔ 255	Strobe, slow to fast
	Color Program Speed (when Ch. 3 is 127 ⇔ 255)	000 ⇔ 255	Color program speed, slow to fast
5	Zoom	000 ⇔ 127	Manual zoom, 100–5%
		128 ⇔ 169	Auto zoom, 100–5%, slow to fast
		170 ⇔ 209	Auto zoom, 5–100%, slow to fast
		210 ⇔ 255	Auto zoom, 100–5–100%, slow to fast
6	Pan	000 ⇔ 127	Manual pan (128 horizontal points)
		128 ⇔ 191	Auto pan, slow to fast
		192 ⇔ 255	Reverse auto pan, fast to slow
7	Tilt	000 ⇔ 127	Manual tilt (128 vertical points)
		128 ⇔ 191	Auto tilt, slow to fast
		192 ⇔ 255	Reverse auto tilt, fast to slow
8	X-Axis Rolling	000 ⇔ 127	Manual x-axis rolling (0–359°)
		128 ⇔ 191	Auto rolling, slow to fast
		192 ⇔ 255	Reverse auto rolling, fast to slow

Channel	Function	Value	Percent/Setting
9	Y-Axis Rolling	000 ⇔ 127	Manual y-axis rolling (0–359°)
		128 ⇔ 191	Auto rolling, slow to fast
		192 ⇔ 255	Reverse auto rolling, fast to slow
10	Z-Axis Rolling	000 ⇔ 127	Manual z-axis rolling (0–359°)
		128 ⇔ 191	Auto rolling, slow to fast
		192 ⇔ 255	Reverse auto rolling, fast to slow



- For manual operation of lasers using DMX control, set Channel 1 to manual control mode (000 ⇔ 017).
- For automatic operation of lasers using DMX control, set Channel 1 to automatic mode (018 ⇔ 136).
- For sound-active operation of laser using DMX control, set Channel 1 to sound-active mode (137 ⇔ 153)
- Channel 3 must be set from 015 ⇔ 255 for Channels 2 and 4–10 to be operational.

Patterns

DMX	Pattern	DMX	Pattern	DMX	Pattern	DMX	Pattern
000 ⇔ 007		064 ⇔ 071		128 ⇔ 135		192 ⇔ 199	
008 ⇔ 015		072 ⇔ 079		136 ⇔ 143		200 ⇔ 207	
016 ⇔ 023		080 ⇔ 087		144 ⇔ 151		208 ⇔ 215	
024 ⇔ 031		088 ⇔ 095		152 ⇔ 159		216 ⇔ 223	
032 ⇔ 039		096 ⇔ 103		160 ⇔ 167		224 ⇔ 231	
040 ⇔ 047		104 ⇔ 111		168 ⇔ 175		232 ⇔ 239	
048 ⇔ 055		112 ⇔ 119		176 ⇔ 183		240 ⇔ 247	
056 ⇔ 063		120 ⇔ 127		184 ⇔ 191		248 ⇔ 255	

Configuration (Standalone)

Set the product in one of the standalone modes to control without a DMX controller.



Never connect a product that is operating in any standalone mode to a DMX string connected to a DMX controller. Products in standalone mode may transmit DMX signals that could interfere with the DMX signals from the controller.

Automatic Mode

To run the Scorpion Dual RGB in automatic mode, follow the instructions below.

1. Press **<MENU>** repeatedly until **Sou** or **Aut** shows on the display.
2. Use **<UP>** or **<DOWN>** to select from **Aut** and **Au1-6**.
3. Press **<ENTER>**.

Sound-Active Mode

To run the Scorpion Dual RGB in sound-active mode, do the following:

1. Press **<MENU>** repeatedly until **Sou** or **Aut** shows on the display.
2. Use **<UP>** or **<DOWN>** to select from **Sou** and **So1-6**.
3. Press **<ENTER>**.

Sound Sensitivity

To set the sound sensitivity on the Scorpion Dual RGB, follow the instructions below.

1. Press **<MENU>** repeatedly until **S 0-9** shows on the display.
2. Use **<UP>** or **<DOWN>** to increase or decrease the sound sensitivity.
3. Press **<ENTER>**.



- **The product will only respond to low frequencies of music (bass and drums).**
- **The laser will black out when in Sound-Active mode after 3 seconds of silence or noise below the sensitivity setting.**

Test Mode

To activate the laser test pattern, do the following:

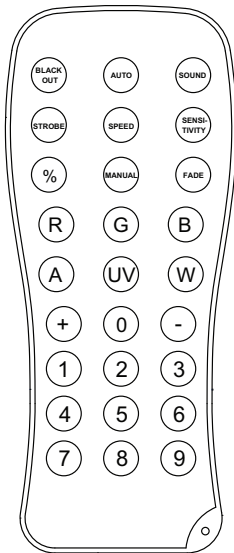
1. Press **<MENU>** repeatedly until **tSt** shows on the display.
2. Press **<ENTER>**.

IRC-6 Infrared Remote Control

The Scorpion Dual RGB can be operated with the CHAUVET IRC-6. To enable IR wireless control, follow the instructions below.

1. Press **<MENU>** repeatedly until **rEN** shows on the display.
2. Press **<ENTER>**.

IRC-6 Operation



Automatic Mode

To turn on Automatic mode with the IRC-6:

1. Press **<AUTO>** on the IRC-6.

Sound-Active Mode

To turn on Sound-Active mode with the IRC-6:

1. Press **<SOUND>** on the IRC-6.

To adjust the sound sensitivity:

1. Press **<SENSITIVITY>** on the IRC-6.
2. Press **<+>** or **<->** to increase or decrease the sensitivity.

Manual Control

To manually select the laser color with the IRC-6:

1. Press the desired color, from **<R>** (red), **<G>** (green), **** (blue), **<A>** (yellow), **<UV/P>** (magenta), or **<W>** (multi-color).

To manually select the laser pattern with the IRC-6:

1. Select a manual color.
2. Press **<+>** or **<->** to cycle through the patterns.

Black Out

To black out the lasers with the IRC-6:

1. Press **<BLACK OUT>** on the IRC-6.

This will turn off all the lasers until the button is pressed again.

NOTE: The IRC-6 will not respond to any inputs when Black Out is activated. If the product does not respond when a button is pressed, try pressing **<BLACK OUT>**. Black Out may have been activated.



- **Any setting on the IRC-6 will be saved until the system is rebooted. The system will revert to Auto Mode after reboot.**
- **The buttons on the IRC-6 not listed above are reserved for future use.**

Master/Slave Mode

The Master/Slave mode allows a single Scorpion Dual RGB product (the “master”) to control the actions of one or more Scorpion Dual RGB products (the “slaves”) without the need of a DMX controller. The master product will be set to operate in either standalone mode or with the IR remote, while the slave products will be set to operate in slave mode. Once set and connected, the slave products will operate in unison with the master product.

Configure the products as indicated below.

Slave products:

1. Press **<MENU>** repeatedly until **SLA** shows on the display.
2. Press **<ENTER>**.
3. Connect the DMX input of the first slave product to the DMX output of the master product.
4. Connect the DMX input of the subsequent slave products to the DMX output of the previous slave product.
5. Finish setting and connecting all the slave products.

Master product:

1. Set the master product to operate in standalone mode or with the IR remote.
2. Make the master product the first product in the DMX daisy chain.



- **Configure all the slave products before connecting the master to the daisy chain.**
- **Never connect a DMX controller to a DMX string configured for Master/Slave operation because the controller may interfere with the signals from the master.**
- **Do not connect more than 31 slaves to the master.**

5. Maintenance

Product Maintenance

Dust build-up reduces light output performance and can cause overheating. This can lead to reduction of the light source's life and/or mechanical wear. To maintain optimum performance and minimize wear, clean your lighting products at least twice a month. However, be aware that usage and environmental conditions could be contributing factors to increase the cleaning frequency.

To clean the product, follow the instructions below:

1. Unplug the product from power.
2. Wait until the product is at room temperature.
3. Use a vacuum (or dry compressed air) and a soft brush to remove dust collected on the external surface/vents.
4. Clean all transparent surfaces with a mild soap solution, ammonia-free glass cleaner, or isopropyl alcohol.
5. Apply the solution directly to a soft, lint free cotton cloth or a lens cleaning tissue.
6. Softly drag any dirt or grime to the outside of the transparent surface.
7. Gently polish the transparent surfaces until they are free of haze and lint.



Always dry the transparent surfaces carefully after cleaning them.

6. Technical Specifications

Dimensions and Weight

Length	Width	Height	Weight
8.5 in (216 mm)	6.3 in (161 mm)	7 in (179.5 mm)	3.8 lb (1.7 kg)

Note: Dimensions in inches are rounded.

Power

Power Supply Type	Range	Voltage Selection
Switching (internal)	100 to 240 VAC, 50/60 Hz	Auto-ranging

Parameter	120 V, 60 Hz	230 V, 50 Hz
Consumption	20 W	19 W
Operating Current	0.3 A	0.2 A
Power linking current (products)	8 A (27 products)	8 A (48 products)
Fuse	T 3.15 A, 250 V	T 3.15 A, 250 V

Power I/O	U.S./Worldwide	UK/Europe
Power input connector	IEC	IEC
Power output connector	Edison	IEC
Power Cord plug	Edison (U.S.)	Local Plug

Light Source

Type	Power	Wavelength
Laser (red)	30 mW	638 nm
Laser (green)	20 mW	520 nm
Laser (blue)	50 mW	450 nm

Photo Optics

Pan and Tilt	Strobe Rate	Coverage Angle	Zoom Angle
30°/30° (variable)	0 to 27 Hz	36°	1° to 29°

Thermal

Laser Minimum External Temp.	Laser Maximum External Temp.	Cooling System
59 °F (15 °C)	95 °F (35 °C)	Fan-assisted convection

DMX

I/O Connector	Channel Range
3-pin XLR	10

Ordering

Product Name	Item Code	UPC Number
Scorpion Dual RGB	10061542	781462218904



Returns

In case you need to get support or return a product:

- If you are located in the U.S., contact Chauvet World Headquarters.
- If you are located in the UK or Ireland, contact Chauvet Europe Ltd.
- If you are located in Benelux, contact Chauvet Europe BVBA.
- If you are located in France, contact Chauvet France.
- If you are located in Germany, contact Chauvet Germany.
- If you are located in Mexico, contact Chauvet Mexico.
- If you are located in any other country, DO NOT contact Chauvet. Instead, contact your local distributor. See www.chauvetdj.com for distributors outside the U.S., UK, Ireland, Benelux, France, Germany, or Mexico.



If you are located outside the U.S., UK, Ireland, Benelux, France, Germany, or Mexico, contact your distributor of record and follow their instructions on how to return Chauvet products to them. Visit our website www.chauvetdj.com for contact details.

Call the corresponding Chauvet Technical Support office and request a Return Merchandise Authorization (RMA) number before shipping the product. Be prepared to provide the model number, serial number, and a brief description of the cause for the return.

To submit a service request online, go to www.chauvetdj.com/service-request.

Send the merchandise prepaid, in its original box, and with its original packing and accessories. Chauvet will not issue call tags.

Clearly label the package with the RMA number. Chauvet will refuse any product returned without an RMA number.



Write the RMA number on a properly affixed label. DO NOT write the RMA number directly on the box.

Before sending the product, clearly write the following information on a piece of paper and place it inside the box:

- Your name
- Your address
- Your phone number
- RMA number
- A brief description of the problem

Be sure to pack the product properly. Any shipping damage resulting from inadequate packaging will be your responsibility. FedEx packing or double-boxing are recommended.



Chauvet reserves the right to use its own discretion to repair or replace returned product(s).

Contact Us

General Information	Technical Support
Chauvet World Headquarters	
Address: 5200 NW 108th Ave. Sunrise, FL 33351 Voice: (954) 577-4455 Fax: (954) 929-5560 Toll Free: (800) 762-1084	Voice: (844) 393-7575 Fax: (954) 756-8015 Email: chauvetcs@chauvetlighting.com Website: www.chauvetdj.com
Chauvet Europe Ltd	
Address: Unit 1C Brookhill Road Industrial Estate Pinxton, Nottingham, UK NG16 6NT Voice: +44 (0) 1773 511115 Fax: +44 (0) 1773 511110	Email: UKtech@chauvetlighting.eu Website: www.chauvetdj.eu
Chauvet Europe BVBA	
Address: Stokstraat 18 9770 Kruishoutem Belgium Voice: +32 9 388 93 97	Email: BNLtech@chauvetlighting.eu Website: www.chauvetdj.eu
Chauvet France	
Address: 3, Rue Ampère 91380 Chilly-Mazarin France Voice: +33 1 78 85 33 59	Email: FRtech@chauvetlighting.fr Website: www.chauvetdj.eu
Chauvet Germany	
Address: Bruno-Bürgel-Str. 11 28759 Bremen Germany Voice: +49 421 62 60 20	Email: DEtech@chauvetlighting.de Website: www.chauvetdj.eu
Chauvet Mexico	
Address: Av. de las Partidas 34 - 3B (Entrance by Calle 2) Zona Industrial Lerma Lerma, Edo. de México, CP 52000 Voice: +52 (728) 690-2010	Email: servicio@chauvet.com.mx Website: www.chauvetdj.mx

Outside the U.S., U.K., Ireland, Benelux, France, Germany, or Mexico, contact the dealer of record. Follow the instructions to request support or to return a product. Visit our website for contact details.

1. Antes de Empezar

Qué va Incluido

- Scorpion Dual RGB
- Cable de alimentación
- Manual de usuario

Instrucciones de Desembalaje

Desembale el producto con cuidado inmediatamente y compruebe la caja para asegurarse de que todas las partes están en el paquete y en buen estado.

Reclamaciones

Si la caja o el contenido (el producto y los accesorios incluidos) parecen dañados a cause del transporte o muestran signos de manipulación inadecuada, notifíquesele inmediatamente al transportista, y no a Chauvet. Si no lo hace oportunamente, puede quedar invalidada su reclamación al transportista.





Además, guarde la caja y todo el material de embalaje para su inspección.

Para otras incidencias, como componentes o partes que falten, daños no relacionados con el transporte o daños no evidentes, presente una reclamación a Chauvet en el plazo de 7 días de la entrega.

Convenciones del Manual

Convención	Significado
1-512	Un rango de valores
50/60	Un conjunto de valores de los cuales solo se puede escoger uno
Settings	Una opción de menú que no se puede modificar
<ENTER>	Una tecla que se tiene que pulsar en el panel de control del producto
ON	Un valor que se tiene que introducir o seleccionar

Símbolos

Símbolo	Significado
	Instalación, configuración o información sobre funcionamiento crítica. Hacer caso omiso de esta información puede hacer que el producto no funcione, que se averíe, o causar daños al usuario.
	Instalación o información de configuración importante. El producto puede no funcionar correctamente si esta información no se usa.
	Información útil.
	Notas de seguridad sobre láser.

Exención de responsabilidad

Chauvet cree que la información contenida en este manual es exacta en todos los aspectos. Sin embargo, Chauvet no asume responsabilidad alguna, y queda exenta específicamente de todas y cada una de las responsabilidades y obligaciones, de la clase que sean y para con cualquier parte, por pérdida, perjuicio o trastorno causados por cualquier error u omisión en este documento, tanto si tales errores y omisiones se deben a negligencia o accidente como a cualquier otra causa. Chauvet se reserva el derecho a revisar el contenido de este documento sin ninguna obligación de notificar dicha revisión a ninguna persona o empresa; sin embargo, Chauvet no está en absoluto obligado a hacerlo así, ni se compromete a realizar revisión alguna. Descargue la última versión de www.chauvetdj.com.

Propiedad intelectual

Las obras de autoría contenidas en este manual, incluyendo, pero sin limitarse a ellas, todos los dibujos, textos e imágenes, son propiedad de Chauvet.

© Copyright 2019 Chauvet & Sons, LLC. Todos los derechos reservados.

Publicado en formato electrónico por Chauvet en los Estados Unidos de América.

CHAUVET, el logotipo de Chauvet y Scorpion Dual RGB son marcas comerciales o marcas registradas de Chauvet & Sons Inc. (con nombres comerciales Chauvet y Chauvet Lighting) en los Estados Unidos y otros países. Otras empresas, nombres de productos y logotipos a los que se haga referencia aquí pueden ser marcas comerciales de sus respectivas empresas.

Notas de Seguridad

Las Notas de seguridad incluyen información importante sobre seguridad del sistema láser. Lea y comprenda todas las instrucciones antes de encender el láser por primera vez. Conocer las instrucciones de seguridad es crucial para evitar lesiones oculares y para no infringir la ley. Mantenga este manual de usuario en un lugar seguro para futuras consultas.



DETÉNGASE Y LEA TODOS LOS DATOS DE SEGURIDAD



- Los láseres pueden ser peligrosos y tienen consideraciones de seguridad particulares. Puede producirse lesión ocular permanente y ceguera si los láseres se usan incorrectamente. Ponga máxima atención a todos los COMENTARIOS y ADVERTENCIAS de seguridad de este manual de usuario. Lea atentamente todas las instrucciones ANTES de poner en funcionamiento este dispositivo.
- Conecte siempre el producto a un circuito con toma de tierra para evitar el riesgo de electrocución.
- Desconecte siempre el producto de la alimentación antes de limpiarlo o sustituir el fusible.
- Evite la exposición directa de los ojos a la fuente de luz mientras el producto esté encendido.
- Asegúrese de que el cable de alimentación no está retorcido ni estropeado.
- Nunca desconecte este producto de la alimentación agarrando o tirando del cable.
- Si monta el producto en alto, asegure siempre a un dispositivo de seguridad usando cable de seguridad.
- Asegúrese de que no hay materiales inflamables cerca del producto cuando esté en funcionamiento.
- No toque la carcasa del producto cuando esté en funcionamiento, porque podría estar muy caliente.
- Este producto no está concebido para una instalación permanente.
- Asegúrese siempre de que la tensión del enchufe al que conecte el producto está en el rango establecido en el grabado o en el panel posterior del producto.
- ¡El producto es para uso en interiores solamente! (IP20) Para evitar riesgos de incendio o descarga, no exponga el producto a la lluvia o la humedad.
- Instale siempre el producto en una ubicación con ventilación adecuada, al menos a 20" (50 cm) de superficies adyacentes.
- Asegúrese de que ninguna ranura de ventilación en la carcasa del producto queda bloqueada.
- Nunca conecte el producto a un atenuador.
- Asegúrese de reemplazar el fusible por otro del mismo tipo y categoría.
- Use siempre el soporte de montaje para trasladar el producto.
- No Apague/Encienda el producto a intervalos cortos. Esto acortará la vida del diodo láser.
- NO sacuda este producto. Evite usar la fuerza bruta cuando monte o maneje el producto.
- Use SIEMPRE un cable de seguridad cuando monte este producto en lo alto.
- La temperatura ambiente operativa para el láser es de 59 °F a 95 °F (15 °C a 35 °C). No haga funcionar este producto fuera de este rango.
- En caso de un problema grave de funcionamiento, deje de usar el producto inmediatamente.
- Nunca intente reparar el producto. Las reparaciones llevadas a cabo por personal no cualificado pueden provocar averías o funcionamiento defectuoso. Póngase en contacto con el centro de asistencia técnica autorizado más cercano.



¡CUIDADO! El uso de controles, ajustes o procedimientos distintos a ESTOS que se especifican EN ESTE MANUAL DE USUARIO pueden causar exposición peligrosa a la radiación.

- Evite el contacto directo de los ojos con la luz del láser. Nunca exponga intencionalmente sus ojos o los de otras personas a la luz directa del láser.
- Este producto láser puede causar lesiones oculares al instante, o ceguera, si la luz del láser incide directamente en los ojos.
- Es ilegal y peligroso alumbrar con este láser zonas de espectadores en las que el público u otro personal pueda recibir rayos láser o reflejos de su brillo directamente en los ojos.
- En los EEUU es un delito federal dirigir cualquier láser hacia un avión.
- Para evitar un desgaste innecesario y alargar su vida útil, desconecte completamente el producto mediante el interruptor o desenchufándolo durante periodos en que no se use.
- NO intente ninguna reparación. Las reparaciones y la asistencia deben ser llevadas a cabo por un técnico autorizado. ¡Las modificaciones no autorizadas están prohibidas por motivos de seguridad!



Guarde este manual de usuario para futuras consultas. Si este producto pasa a ser propiedad de otro usuario, asegúrese de que este documento acompaña al láser.

Advertencia sobre Carcasa no Cerrada



- Esta unidad contiene internamente dispositivos láser de alta potencia.
- No abra la carcasa del láser, debido a la potencial exposición a niveles no seguros de radiación láser.
- Los niveles de láser a los que se tiene acceso si se abre la unidad pueden causar ceguera instantánea, quemaduras en la piel e incendios.

Notas de Seguridad sobre Láser



DETÉNGASE Y LEA TODAS LAS NOTAS DE SEGURIDAD SOBRE EL LÁSER SIGUIENTES



La luz láser es diferente de cualquier otra fuente de luz. La luz de este producto puede causar lesión ocular si el producto no se instala y usa adecuadamente. La luz láser es miles de veces más concentrada que la luz de cualquier otro tipo de fuente. Esta concentración de luz puede causar lesiones instantáneas en el ojo, fundamentalmente por quemadura de la retina (la zona sensible a la luz en la parte posterior del ojo). Aunque usted no pueda sentir el “calor” de un haz de láser, este puede aún potencialmente lesionar o cegar a usted o al público. Incluso cantidades de luz láser muy pequeñas son potencialmente peligrosas, incluso a largas distancias. Las lesiones oculares por láser pueden ocurrir más rápido de lo que se tarda en parpadear.

NO dé por supuesto que porque estos productos recreativos de láser dividan el láser en cientos de haces, y porque el haz de láser se lance a alta velocidad, es segura la exposición del ojo a un haz individual de láser. Este producto de láser utiliza docenas de milivatios de potencia láser (niveles clase 3B internamente) antes de dividirlo en múltiples haces (niveles clase 3R). Muchos de los haces individuales son potencialmente peligrosos para los ojos.

NO asuma que porque la luz láser está en movimiento, es segura. La luz láser no está nunca libre de riesgo, ni aunque el haz se mueva siempre. Puesto que las lesiones oculares pueden producirse instantáneamente, es crítico prevenir la posibilidad de CUALQUIER exposición directa al ojo. Según las disposiciones de seguridad láser, no es legal apuntar con láseres Clase 3a hacia áreas en las que las personas puedan quedar expuestas. Esto se aplica incluso si se apunta con el láser por debajo de las caras de la gente, por ejemplo hacia la pista de baile.

- No ponga en funcionamiento el láser sin primero leer y comprender todos los datos técnicos y de seguridad de este manual.
- Ubique e instale todos los efectos láser SIEMPRE de forma que toda la luz láser está al menos a 3 m (9,8 pies) sobre el nivel del suelo en el que se encuentra la gente. Vea la sección [Uso Adecuado](#) de este manual.
- que funciona adecuadamente. No lo use si detecta cualquier defecto.
- NO apunte con láser a personas o animales.
- Nunca mire a la apertura del láser o a los haces de láser.
- NO apunte con el láser hacia áreas en las que las personas pudieran quedar expuestas.
- NO apunte con láseres a superficies muy reflectantes como ventanas, espejos y metal pulido. Incluso los reflejos del láser pueden ser peligrosos.
- Nunca apunte con el láser a un avión, pues constituye delito según las leyes de EE.UU.
- Nunca apunte hacia el cielo con haces láser sueltos.
- No exponga la óptica de salida (apertura) a productos de limpieza químicos.
- No use el láser si la carcasa está averiada o abierta, o si la óptica parece dañada de cualquier modo.
- Nunca abra la carcasa del láser. Los altos niveles de potencia láser dentro de la carcasa protectora pueden originar incendios o quemaduras en la piel y causar lesiones oculares al instante.
- Nunca deje este producto en funcionamiento sin vigilancia.
- El funcionamiento de un láser de espectáculo de Clase 3R solo se permite si el espectáculo es controlado por un operador experimentado y bien formado, familiarizado con los datos contenidos en este manual.
- Los requisitos legales para usar productos de láser recreativo varían de un país a otro. El usuario es responsable de los requisitos legales del lugar/país en que lo utilice.



¡CUIDADO! NO ponga en funcionamiento este dispositivo en formas no especificadas en este manual de usuario. No seguir las instrucciones invalidará la garantía, podría dañar el producto o lesionar al usuario o al público.

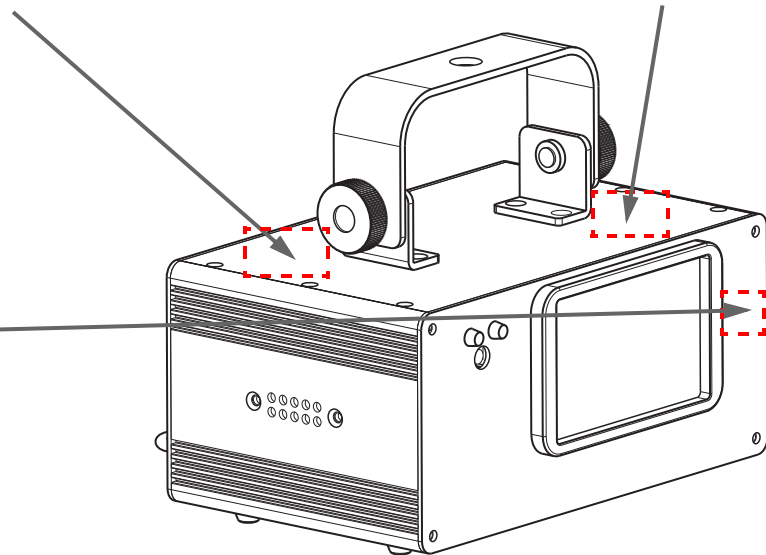
¡CUIDADO! Este producto no se puede tirar con la basura doméstica. Póngase en contacto con el servicio de recogida para la eliminación de aparatos electrónicos de su zona.

Reproducción de la Etiqueta de Seguridad del Láser

	LASER RADIATION AVOID DIRECTIVE EXPOSURE CLASS III LASER PRODUCT <small>IEC 60825-1:2007 Wavelength: 638nm Laser radiation Class III</small>	Manufacturer : CHAUVET LIGHTING Address: 5200 NW 108th Ave, Sunrise, FL 33351 This device complies with 21 CFR 1040.10 and 1040.11 except for deviations pursuant to Laser Notice No. 50, dated June 24, 2007 Batch No: Sept 2018
	WARNING Cancer and Reproductive Harm - www.P65Warnings.ca.gov	THIS APPLIANCE MUST BE GROUNDED CETTE UNIT DOIT RE RELI LA TERRE THIS FIXTURE HAS NO REPLACEABLE FUSE CET APPAREIL N'A PAS FUSIBLE REMPLAABLE NOT FOR HOUSEHOLD USE IMPROPRE A L'SAGE DOMESTIQUE DRY LOCATIONS EMPLACEMENTS SECS DISCONNECT POWER BEFORE SERVICING DRANCHER AVANT TOUT ENTRETIEN FOR INDOOR USE ONLY USAGE INTIEUR UNIQUEMENT
	MODEL: SCORPION DUAL RGB LIGHT SOURCE: RGB Laser ITEM CODE: 10061542 INPUT VOLTAGE: 100-240VAC 50/60Hz ORIGIN: MADE IN P.R.C.	

CAUTION
CLASS 3B LASER LIGHT WHEN OPEN
AVOID EXPOSURE TO THE BEAM

LASER APERTURE



Advertencia sobre Exposición al Láser



LUZ LÁSER EVITE LA EXPOSICIÓN DIRECTA AL OJO

Se pueden encontrar más directrices y programas de seguridad para el uso seguro de láseres en la Normativa ANSI Z136.1 "Para uso seguro de Láseres", disponible en el Laser Institute of America: www.lia.org. Muchos gobiernos locales, corporaciones, agencias, ejército y otros requieren que todos los láseres se usen bajo las directrices de ANSI Z136.1. La guía Laser Display puede obtenerse de la International Laser Display Association: www.ilda.com.

Datos de Emisión Láser

Según medida bajo condiciones de medición IEC para clasificación.

Clasificación láser	Clase 3R
Láser Rojo Medio	LD/638 nm/30 mW
Láser Verde Medio	LD/520 nm/20 mW
Láser Azul Medio	LD/450 nm/50 mW
Diámetro del haz	<5 mm en la apertura
Datos de pulso	Todos los pulsos < 4 Hz (>0,25 s)
Divergencia (cada haz)	<2 mrad
Divergencia (luz total)	<160 grados
Potencia láser de cada haz en la apertura*	<5 mW

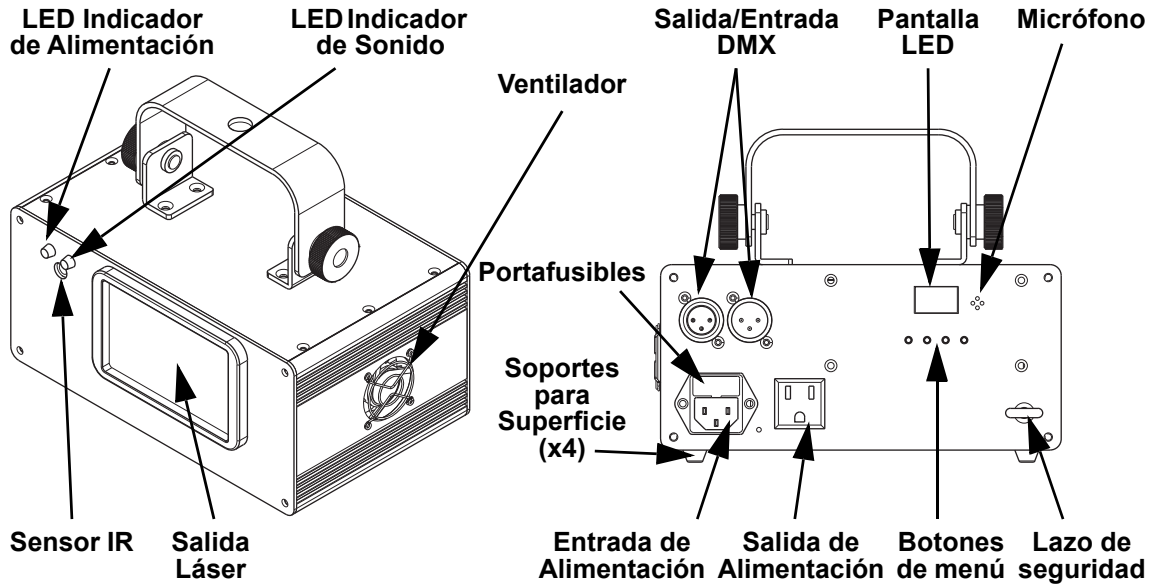
*Según medida bajo condiciones de medición IEC para clasificación.

Declaración de Conformidad Láser

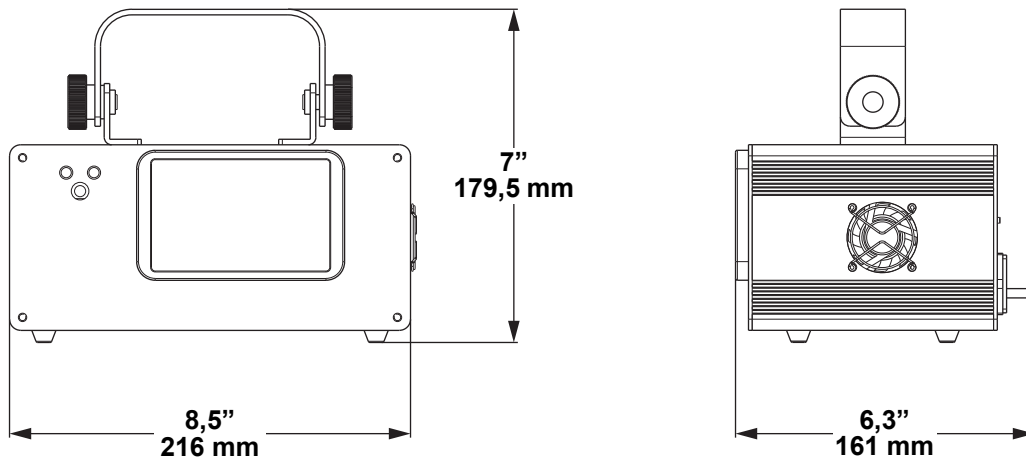
Cumple con los estándares de desempeño de la FDA para productos láser, excepto por las desviaciones según el Laser Notice No. 50, del 24 de junio de 2007. No es necesario ningún mantenimiento para que este producto siga cumpliendo los estándares de rendimiento láser.

2. Introducción

Vista general del producto



Dimensiones del producto



3. Instalación

Corriente alterna

El Scorpion Dual RGB tiene una fuente de alimentación con detección automática que puede funcionar con un rango de tensión de entrada de 100 a 240 VCA, 50/60 Hz.

Para determinar los requerimientos de alimentación (disyuntor, toma de alimentación y cableado), use el valor de tensión que aparece en la etiqueta fijada en el panel trasero del producto o consulte la tabla de especificaciones del producto. La especificación de corriente listada indica el consumo de corriente promedio en condiciones normales.



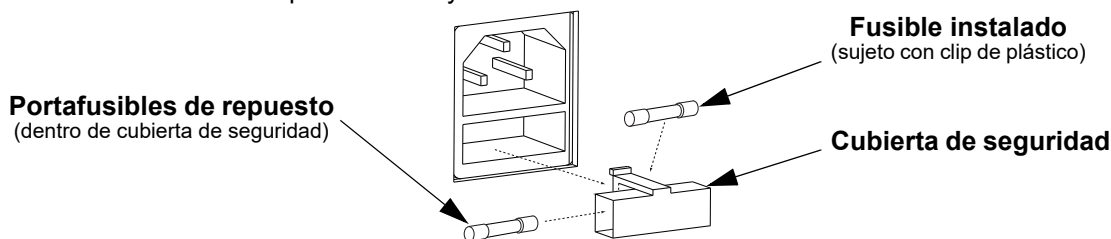
- **Conecte siempre el producto a un circuito protegido (disyuntor o fusible). Asegúrese de que el producto tiene una toma de tierra adecuada para evitar el riesgo de electrocución o incendio.**
- **Para evitar un desgaste innecesario y alargar su vida útil, desconecte complemente el producto de la alimentación, mediante el interruptor o desenchufándolo, durante los periodos en los que no se use.**



Nunca conecte el producto a un reostato (resistor variable) o circuito de atenuación, incluso si el canal del reostato o atenuador sirve solo como conmutador 0 a 100%.

Sustitución del fusible

1. Desconecte el producto de la alimentación.
2. Haga cuña con la punta de un destornillador plano en la ranura del portafusibles.
3. Saque la tapa de seguridad de la carcasa.
4. Quite el fusible fundido de la sujeción en la parte frontal de la tapa de seguridad y sustituya el fusible con otro del mismo tipo y categoría.
5. Vuelva a insertar el portafusibles y conecte de nuevo la alimentación.



Desconecte el producto de la alimentación antes de sustituir el fusible.

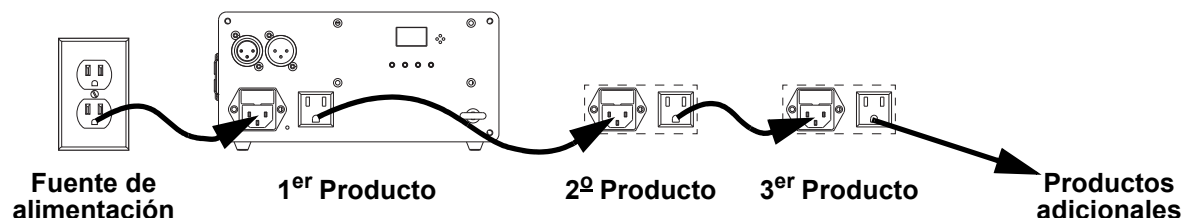


Sustituya siempre el fusible fundido con uno del mismo tipo y categoría.

Alimentación en cadena

El producto proporciona la alimentación en cadena vía la salida de Edison situada en la parte posterior del producto. Consulte el diagrama a continuación para obtener más información.

Diagrama de alimentación en cadena



Se pueden alimentar en cadena hasta 27 productos Scorpion Dual RGB a 120 VAC, y hasta 48 productos Scorpion Dual RGB se pueden alimentar en cadena a 230 VAC.



¡El diagrama de alimentación de cadena de arriba muestra solamente la versión del producto de América del Norte! Los requisitos y conectores de alimentación en cadena difieren de un país a otro y de una región a otra. Si usa este producto en un lugar distinto de América del Norte, consulte con el distribuidor local de Chauvet.

Instalación

Montaje

Antes de montar el producto, lea y siga las recomendaciones de seguridad indicadas en las [Notas de Seguridad](#).

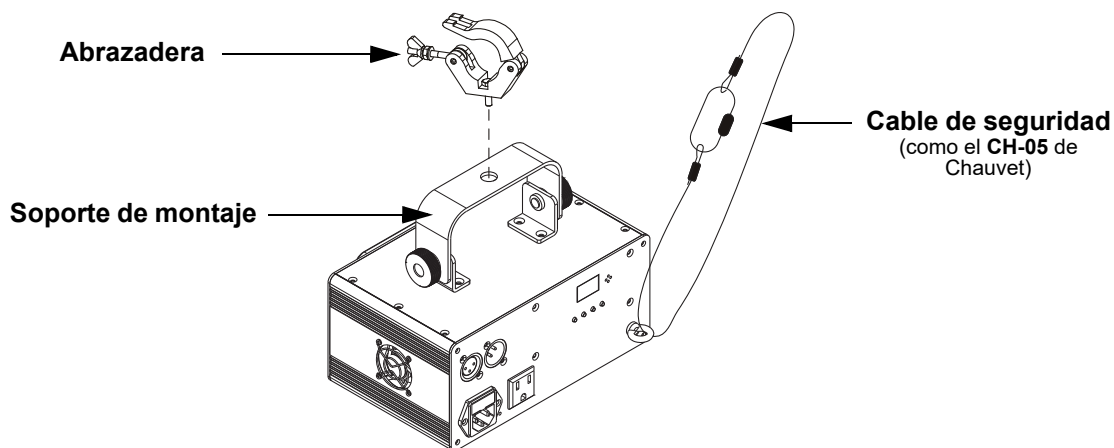
Orientación

El Scorpion Dual RGB se debe montar en un posición preparada para uso seguro de láser. Además, asegúrese de proporcionar una ventilación adecuada alrededor del producto.

Colocación

- Antes de decidir una ubicación para el producto, asegúrese siempre de que hay fácil acceso al producto para su mantenimiento y programación.
- Asegúrese de que la estructura o superficie sobre la que está montando el producto puede soportar su peso (vea las [Especificaciones Técnicas](#))
- Cuando monte este producto en alto, use siempre un cable de seguridad. Monte el producto con seguridad a un punto de anclaje, como una plataforma elevada o un truss.
- Cuando cuelgue el producto de un truss, debe usar una abrazadera de montaje con la resistencia al peso adecuada.
- Los mandos de ajuste del soporte permiten el ajuste direccional para dirigir el producto hacia el ángulo deseado. Apriete y afloje los mandos de soporte únicamente con la mano. Usar herramientas podría estropear los mandos.

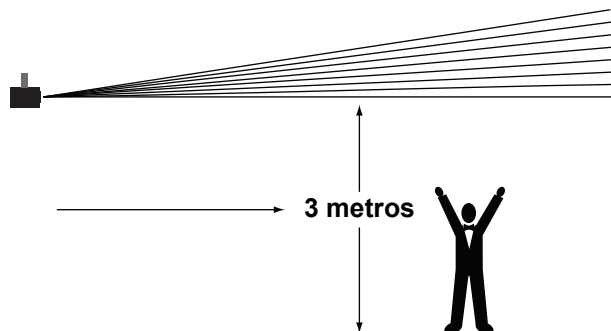
Diagrama de montaje



Uso Adecuado

Este producto es para montaje en alto solamente. Por seguridad, Chauvet recomienda montar los productos de efectos de iluminación sobre plataformas estables y elevadas, o en soportes en alto sólidos utilizando abrazaderas apropiadas para colgar. En todos los casos, utilice cables de seguridad. Obtenga el material de fijación apropiado de su proveedor de iluminación.

Las disposiciones internacionales de seguridad láser precisan que los productos de láser se manejen de la forma mostrada a continuación, con una separación vertical mínima de 3 metros (9,8 pies) entre el suelo y la luz láser más baja. Además, se requiere una separación horizontal de 3 metros entre la luz láser y los espectadores u otros espacios públicos.



¡CUIDADO! El uso de controles, ajustes o procedimientos distintos a LOS que se especifican EN ESTE MANUAL DE USUARIO pueden causar exposición peligrosa a la radiación.

4. Funcionamiento

Este producto no está diseñado para un uso continuo. Asegúrese de que hace descansos regulares durante su funcionamiento para maximizar la vida de su láser. Desconecte siempre el Scorpion Dual RGB de la alimentación cuando no lo use.

Funcionamiento del panel de control

Para acceder a las funciones del panel de control, use los cuatro botones ubicados bajo la pantalla. Consulte la [Vista general del producto](#) para ver la posición de los botones en el panel de control.

Botón	Función
<MENU>	Sale del menú o función actual
<UP>	Navega hacia arriba por la lista de menú o aumenta un valor numérico seleccionado
<DOWN>	Navega hacia abajo por la lista de menú o disminuye un valor numérico seleccionado
<ENTER>	Habilita el menú actualmente en pantalla o configura el valor seleccionado actualmente dentro de la función seleccionada

Mapa de menú

Modo	Niveles de programación	Descripción
Modo DMX	001–503	Selecciona la dirección de inicio DMX
Modo esclavo	SLA	Modo esclavo
Control remoto	rEN	Mando a distancia inalámbrico
Modo prueba	tSt	Patrón de prueba
Modo automático/ Modo sonido	Aut	Programas automáticos
	Au1–6	
	Sou	Programas activado por sonido
	So1–6	
Sensibilidad	S 0–9	Sensibilidad al sonido

Configuración (DMX)

El Scorpion Dual RGB funciona con un controlador DMX. La información sobre DMX se encuentra en el Manual DMX de CHAUVET, disponible desde el sitio web de Chauvet: http://www.chauvetlighting.com/downloads/DMX_Primer_rev05_WO.pdf.

Dirección de inicio

Cuando seleccione una dirección DMX de inicio, tenga en cuenta siempre el número de canales DMX que usa el modo seleccionado. Si escoge una dirección de inicio que es demasiado alta, podría estar restringiendo el acceso a alguno de los canales del producto.

El Scorpion Dual RGB usa hasta 10 canales DMX, lo cual determina que la dirección más alta que se puede configurar es **503**.

Si no está familiarizado con el protocolo DMX, descargue el Manual DMX de www.chauvetdj.com.

Para seleccionar la dirección de inicio, haga lo siguiente:

1. Pulse <MENU> repetidamente hasta que aparezca en la pantalla **001–503**.
2. Use <UP> o <DOWN> para aumentar o disminuir la dirección de inicio.
3. Pulse <ENTER>.

Valores y asignaciones de canal DMX

10 canales

Canal	Función	Valor	Porcentaje/Configuración
1	Modo control	000 ⇔ 017	Modo de control manual
		018 ⇔ 034	Modo automático (multicolor)
		035 ⇔ 051	Modo automático (rojo)
		052 ⇔ 068	Modo automático (verde)
		069 ⇔ 085	Modo automático (azul)
		086 ⇔ 102	Modo automático (amarillo)
		103 ⇔ 119	Modo automático (magenta)
		120 ⇔ 136	Modo automático (cian)
		137 ⇔ 153	Modo sonido (multicolor)
		154 ⇔ 170	Modo sonido (rojo)
		171 ⇔ 187	Modo sonido (verde)
		188 ⇔ 204	Modo sonido (azul)
		205 ⇔ 221	Modo sonido (amarillo)
		222 ⇔ 238	Modo sonido (magenta)
239 ⇔ 255	Modo sonido (cian)		
2	Patrón (cuando el can. 3 está activo)	000 ⇔ 255	Vea Patrones
3	Color	000 ⇔ 014	Sin función
		015 ⇔ 030	Multicolor
		031 ⇔ 046	Rojo
		047 ⇔ 062	Verde
		063 ⇔ 078	Azul
		079 ⇔ 094	Amarillo
		095 ⇔ 110	Magenta
		111 ⇔ 126	Cian
		127 ⇔ 149	Programa rojo y verde
		150 ⇔ 174	Programa verde y azul
		175 ⇔ 199	Programa rojo y azul
		200 ⇔ 224	Programa de todos los colores
		225 ⇔ 255	Programa multicolor
4	Estroboscopio (cuando can. 3 está 015 ⇔ 126)	000 ⇔ 004	Sin función
		005 ⇔ 255	Estroboscopio, lento a rápido
	Velocidad (cuando can. 3 está 127 ⇔ 255)	000 ⇔ 255	Velocidad del programa de color, lento a rápido
5	Zoom	000 ⇔ 127	Zoom manual, 100–5%
		128 ⇔ 169	Zoom automático, 100–5%, lento a rápido
		170 ⇔ 209	Zoom automático, 5–100%, lento a rápido
		210 ⇔ 255	Zoom automático, 100–5–100%, lento a rápido
6	Pan	000 ⇔ 127	Pan manual (128 puntos horizontales)
		128 ⇔ 191	Pan automática, lento a rápido
		192 ⇔ 255	Pan automática inversa, rápido a lento
7	Inclinación	000 ⇔ 127	Inclinación manual (128 puntos verticales)
		128 ⇔ 191	Inclinación automática, lento a rápido
		192 ⇔ 255	Inclinación automática inversa, rápido a lento
8	Rotación eje x	000 ⇔ 127	Rotación manual del eje x (0–359°)
		128 ⇔ 191	Rotación automática, lento a rápido
		192 ⇔ 255	Rotación automática inversa, rápido a lento

Canal	Función	Valor	Porcentaje/Configuración
9	Rotación eje y	000 ⇔ 127	Rotación manual del eje y (0–359°)
		128 ⇔ 191	Rotación automática, lento a rápido
		192 ⇔ 255	Rotación automática inversa, rápido a lento
10	Rotación eje z	000 ⇔ 127	Rotación manual del eje z (0–359°)
		128 ⇔ 191	Rotación automática, lento a rápido
		192 ⇔ 255	Rotación automática inversa, rápido a lento



- Para manejo manual de láseres usando el control DMX, asegúrese de que el canal 1 está configurado en modo de control manual (000 ⇔ 017).
- Para manejo automático de láseres usando el control DMX, asegúrese de que el canal 1 está configurado en modo automático (018 ⇔ 136).
- Para manejo activado por sonido de los láseres usando el control DMX, asegúrese de que el canal 1 está configurado en modo sonido (137 ⇔ 153).
- El canal 3 debe configurarse en 015 ⇔ 255 para que los canales 2 y 4–10 funcionen.

Patrones

DMX	Patrón	DMX	Patrón	DMX	Patrón	DMX	Patrón
000 ⇔ 007		064 ⇔ 071		128 ⇔ 135		192 ⇔ 199	
008 ⇔ 015		072 ⇔ 079		136 ⇔ 143		200 ⇔ 207	
016 ⇔ 023		080 ⇔ 087		144 ⇔ 151		208 ⇔ 215	
024 ⇔ 031		088 ⇔ 095		152 ⇔ 159		216 ⇔ 223	
032 ⇔ 039		096 ⇔ 103		160 ⇔ 167		224 ⇔ 231	
040 ⇔ 047		104 ⇔ 111		168 ⇔ 175		232 ⇔ 239	
048 ⇔ 055		112 ⇔ 119		176 ⇔ 183		240 ⇔ 247	
056 ⇔ 063		120 ⇔ 127		184 ⇔ 191		248 ⇔ 255	

Configuración (Independiente)

Configure el producto en uno de los modos independientes para controlarlo sin controlador DMX.



Nunca conecte un producto que está funcionando en cualquier modo independiente a una línea DMX conectada a un controlador DMX. Los productos en modo independiente pueden transmitir señales DMX que podrían interferir con las señales DMX del controlador.

Modo automático

Para hacer funcionar el Scorpion Dual RGB en modo automático, siga las instrucciones siguientes.

1. Pulse **<MENU>** repetidamente hasta que aparezca **Sou** o **Aut** en la pantalla.
2. Utilice **<UP>** o **<DOWN>** para seleccionar entre **Aut** y **Au1-6**.
3. Pulse **<ENTER>**.

Modo sonido

Para hacer funcionar el Scorpion Dual RGB en modo sonido, haga lo siguiente:

1. Pulse **<MENU>** repetidamente hasta que aparezca **Sou** o **Aut** en la pantalla.
2. Utilice **<UP>** o **<DOWN>** para seleccionar entre **Sou** y **So1-6**.
3. Pulse **<ENTER>**.

Sensibilidad al sonido

Para configurar la sensibilidad al sonido en el Scorpion Dual RGB, siga las instrucciones siguientes.

1. Pulse **<MENU>** repetidamente hasta que aparezca **S 0-9** en la pantalla.
2. Utilice **<UP>** o **<DOWN>** para aumentar o disminuir la sensibilidad al sonido.
3. Pulse **<ENTER>**.



- **El producto solo responderá a bajas frecuencias en la música (graves y percusión).**
- **En modo Activo por Sonido, el láser se quedará en oscuro tras 3 segundos de silencio o con el sonido por debajo del nivel de sensibilidad configurado.**

Modo prueba

Para activar el patrón de prueba láser, haga lo siguiente:

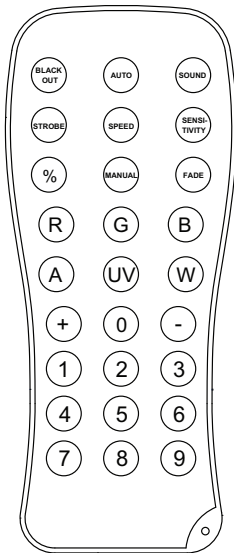
1. Pulse **<MENU>** repetidamente hasta que aparezca **tSt** en la pantalla.
2. Pulse **<ENTER>**.

IRC-6 control remoto por infrarrojos

El Scorpion Dual RGB es totalmente compatible con el control remoto por infrarrojos (IRC-6) de CHAUVET. Para habilitar el control inalámbrico por IRC-6, siga las instrucciones siguientes.

1. Pulse **<MENU>** repetidamente hasta que aparezca **rEN** en la pantalla.
2. Pulse **<ENTER>**.

Funcionamiento de IRC-6



Modo Automático

Para activar el modo automático con el IRC-6:

1. Pulse **<AUTO>** en el IRC-6.

Modo sonido

Para activar el modo sonido con el IRC-6:

1. Pulse **<SOUND>** en el IRC-6.

Para ajustar la sensibilidad al sonido:

1. Pulse **<SENSITIVITY>** en el IRC-6.
2. Pulse **<+>** o **<->** para aumentar o disminuir la sensibilidad.

Control manual

Para seleccionar manualmente el color del láser con el IRC-6:

1. Pulse el color deseado, de **<R>** (rojo), **<G>** (verde), **** (azul), **<A>** (amarillo), **<UV/P>** (magenta), o **<W>** (multicolor).

Para seleccionar manualmente el patrón del láser con el IRC-6:

1. Seleccione un color manual.
2. Pulse **<+>** o **<->** para desplazarse por los patrones.

Oscuro

Para oscurecer los láseres con el IRC-6:

1. Pulse **<BLACK OUT>** en el IRC-6.

Esto apagará todas las luces hasta que se pulsase nuevamente el botón.

NOTA: El IRC-6 no responderá a ninguna entrada cuando se active Oscuro. Si el producto no responde cuando se pulsa un botón, intente pulsar **<BLACK OUT>**. Oscuro puede haber sido activado.



- **Cualquier control o configuración en el mando a distancia por IR se guardará hasta que se reinicie el sistema. El sistema regresará al Modo Automático después del reinicio.**
- **Los botones del mando a distancia por IR que no figuran arriba están reservados para usos futuros.**

Modo Maestro/Esclavo

El modo Maestro/Esclavo permite que un solo producto Scorpion Dual RGB (el maestro), controle las acciones de uno o más productos Scorpion Dual RGB (los esclavos) sin necesidad de un controlador DMX. El producto maestro se configurará para funcionar en modo Independiente o con el remoto IR, mientras que los productos esclavo se configurarán para funcionar en modo Esclavo. Una vez configurados y conectados, los productos esclavo funcionarán al unísono con el producto maestro. Configure los productos como se indica a continuación.

Productos esclavo:

1. Pulse **<MENU>** repetidamente hasta que aparezca **SLA** en la pantalla.
2. Pulse **<ENTER>**.
3. Conecte la entrada DMX del primer producto esclavo a la salida DMX del producto maestro.
4. Conecte la entrada DMX de los siguientes productos esclavo a la salida DMX del producto esclavo precedente.
5. Termine de configurar y conectar todos los productos esclavo.

Producto maestro:

1. Configure el producto maestro para que funcione en modo Independiente o con el remoto IR.
2. Ponga el producto maestro como el primer producto de la cadena DMX.

- **Configure todos los productos esclavo antes de conectar la unidad maestro a la cadena.**



- **Nunca conecte un controlador DMX a una línea DMX configurada para funcionamiento Maestro/Esclavo, porque el controlador puede interferir con las señales del maestro.**
- **No conecte más de 31 esclavos al maestro.**

5. Mantenimiento

Mantenimiento del producto

El polvo acumulado reduce el rendimiento de la salida de luz y puede provocar sobrecalentamiento. Esto puede conducir a una reducción de la vida de la fuente de luz e incrementar el desgaste mecánico. Para mantener un rendimiento óptimo y minimizar el desgaste, debe limpiar este producto con frecuencia. Como norma general, limpie este producto al menos dos veces al mes. Sin embargo, el uso y las condiciones ambientales influyen para un aumento de la frecuencia de limpieza.

Para limpiar el producto, siga las instrucciones siguientes:

1. Desenchufe el producto de la alimentación.
2. Espere a que el producto esté a temperatura ambiente.
3. Use un aspirador (o aire seco comprimido) y un cepillo suave para quitar el polvo depositado en orificios de aireación externos.
4. Limpie todas las superficies exteriores con una solución suave de limpiador de cristales sin amoníaco o alcohol isopropílico.
5. Aplique la solución directamente sobre un paño suave que no deje pelusa o un paño de limpiar lentes.
6. Quite todo el polvo o suciedad de los bordes externos de la superficie de la lente.
7. Con cuidado, frote las superficies de la lente hasta que no quede turbiedad ni pelusas.



Seque siempre meticulosamente y con cuidado las superficies exteriores después de limpiarlas.

6. Especificaciones Técnicas

Dimensiones y Peso

Longitud	Anchura	Altura	Peso
216 mm (8,5")	161 mm (6,3")	179,5 mm (7")	1,7 kg (3,8 lb)

Nota: Las dimensiones en pulgadas están redondeadas.

Alimentación

Tipo de fuente de alimentación	Rango	Selección de tensión
Conmutación (interna)	100 a 240 VCA, 50/60 Hz	Detección automática (autorango)
Parámetro	120 V, 60 Hz	230 V, 50 Hz
Consumo	20 W	19 W
Corriente de funcionamiento	0,3 A	0,2 A
Intensidad de alimentación en cadena (productos)	8 A (27 productos)	8 A (48 productos)
Fusible	T 3,15 A, 250 V	T 3,15 A, 250 V
E/S alimentación	EE.UU./Mundial	UK/Europa
Conector de entrada de alimentación	IEC	IEC
Conector de salida de alimentación	Edison	IEC
Enchufe del cable de alimentación	Edison (EE.UU.)	Enchufe local

Fuente de luz

Tipo	Alimentación	Longitud de onda
Láser (rojo)	30 mW	638 nm
Láser (verde)	20 mW	520 nm
Láser (azul)	50 mW	450 nm

Óptica fotográfica

Pan y inclinación	Frecuencia de estroboscopio	Ángulo de cobertura	Ángulo de Zoom
30°/30° (variable)	0 a 27 Hz	36°	1° a 29°

Térmicas

Temp. externa mínima del láser	Temp. externa máxima del láser	Sistema de refrigeración
15 °C (59 °F)	35 °C (95 °F)	Convección asistida por ventilador

DMX

Conectores E/S	Rango de canal
XLR 3 pines	10

Pedidos

Nombre de producto	Código de artículo	Código UPC
Scorpion Dual RGB	10061542	781462218904



Devoluciones

En caso de que necesite asistencia o devolver un producto:

- Si se encuentra en EE. UU., póngase en contacto con la Oficina Central de Chauvet.
- Si se encuentra en el Reino Unido o Irlanda, póngase en contacto con Chauvet Europe Ltd.
- Si se encuentra en Benelux, póngase en contacto con Chauvet Europe BVBA.
- Si se encuentra en Francia, póngase en contacto con Chauvet France.
- Si se encuentra en Alemania, póngase en contacto con Chauvet Germany.
- Si se encuentra en México, póngase en contacto con Chauvet Mexico.
- Si se encuentra en cualquier otro país, NO contacte con Chauvet. Contacte con su distribuidor local. Vea www.chauvetdj.com para distribuidores fuera de EE.UU., Reino Unido, Irlanda, Benelux, Francia, Alemania o México.



Si se encuentra fuera de los EE.UU., Reino Unido, Irlanda, Benelux, Francia, Alemania o México, póngase en contacto con su distribuidor de registro y siga sus instrucciones sobre cómo devolverle a ellos los productos Chauvet. Visite www.chauvetdj.com para detalles de contacto.

Llame a la oficina de Asistencia Técnica Chauvet correspondiente y pida un número de Autorización de Devolución de la mercancía (RMA) antes de enviar el producto. Esté preparado para proporcionar el número de modelo, número de serie y una breve descripción de la causa de la devolución.

Para enviar una solicitud de servicio en línea, vea www.chauvetdj.com/service-request.

Envíe la mercancía a portes pagados, en su caja original y con su embalaje y accesorios originales. Chauvet no expedirá etiquetas de devolución.

Etiquete el paquete claramente con el número de RMA. Chauvet rechazará cualquier producto devuelto sin un número de RMA.



Escriba el número de RMA en una etiqueta convenientemente adherida. NO escriba el número de RMA directamente sobre la caja.

Antes de enviar el producto, escriba claramente la siguiente información en una hoja de papel y colóquela dentro de la caja:

- Su nombre
- Su dirección
- Su número de teléfono
- Número de RMA
- Una breve descripción del problema

Asegúrese de que empaqueta el producto adecuadamente. Cualquier daño en el transporte que resulte de un empaquetado inadecuado será responsabilidad suya. Se recomienda empaquetado FedEx o de doble caja.



Chauvet se reserva el derecho de usar su propio criterio para reparar o reemplazar productos devueltos.

Contacto

Información general	Servicio Técnico
Oficina Central de Chauvet	
Dirección: 5200 NW 108th Ave. Sunrise, FL 33351 Voz: (954) 577-4455 Fax: (954) 929-5560 Número gratuito: (800) 762-1084	Voz: (844) 393-7575 Fax: (954) 756-8015 Email: chauvetcs@chauvetlighting.com Sitio web: www.chauvetdj.com
Chauvet Europe Ltd	
Dirección: Unit 1C Brookhill Road Industrial Estate Pinxton, Nottingham, UK NG16 6NT Voz: +44 (0) 1773 511115 Fax: +44 (0) 1773 511110	Email: UKtech@chauvetlighting.eu Sitio web: www.chauvetdj.eu
Chauvet Europe BVBA	
Dirección: Stokstraat 18 9770 Kruishoutem Belgium Voz: +32 9 388 93 97	Email: BNLtech@chauvetlighting.eu Sitio web: www.chauvetdj.eu
Chauvet France	
Dirección: 3, Rue Ampère 91380 Chilly-Mazarin France Voz: +33 1 78 85 33 59	Email: FRtech@chauvetlighting.fr Sitio web: www.chauvetdj.eu
Chauvet Germany	
Dirección: Bruno-Bürgel-Str. 11 28759 Bremen Germany Voz: +49 421 62 60 20	Email: DEtech@chauvetlighting.de Sitio web: www.chauvetdj.eu
Chauvet Mexico	
Dirección: Av. de las Partidas 34 - 3B (Entrada por Calle 2) Zona Industrial Lerma Lerma, Edo. de México, CP 52000 Voz: +52 (728) 690-2010	Email: servicio@chauvet.com.mx Sitio web: www.chauvetdj.mx

Fuera de EE.UU., Reino Unido, Irlanda, Benelux, Francia, Alemania o México, póngase en contacto con su proveedor. Siga sus instrucciones para pedir soporte o para devolver un producto. Visita nuestro sitio web para detalles de contacto.

1. Avant de Commencer

Ce Qui Est Compris

- Scorpion Dual RGB
- Cordon d'alimentation
- Manuel d'Utilisation

Instructions Relatives au Déballage

Déballer l'appareil avec précaution et vérifiez le contenu afin de vous assurer que rien ne vous manque et que tout est en bon état.





Réclamations

Si l'emballage ou le contenu (l'appareil et ses accessoires compris) semble avoir été endommagé pendant le transport, ou s'il présente des signes de manipulation sans précaution, veuillez dès réception en notifier immédiatement le transporteur et non Chauvet. Ne pas enregistrer votre réclamation auprès du transporteur en temps et en heure peut entraîner une non validation de celle-ci. De plus, gardez l'emballage et tous les matériaux d'emballage pour inspection. Pour tout autre problème comme la non-livraison de pièces ou composants, des dommages non en rapport avec la livraison ou des vices cachés, veuillez déposer votre réclamation auprès de Chauvet dans les 7 jours suivant la livraison.

Conventions manuelles

Convention	Signification
1-512	Une plage de valeurs
50/60	Un ensemble de valeurs parmi lequel on ne peut en choisir qu'une
Settings	Une option de menu ne pouvant être modifiée
<ENTER>	Un bouton sur lequel appuyer sur le panneau de commande de l'appareil
ON	Une valeur à saisir ou à sélectionner

Symboles

Symbole	Signification
	Consignes importantes en matière d'installation, de configuration et de fonctionnement. Le non-respect de ces consignes peut entraîner le non-fonctionnement de l'appareil ou lui causer des dommages. De même, l'utilisateur peut s'en trouver affecté.
	Consignes importantes en matière d'installation ou de configuration. Le produit peut ne pas fonctionner correctement si ces instructions ne sont pas suivies.
	Informations utiles.
	Informations sur la sécurité des lasers.

Clause de Non-Responsabilité

Chauvet estime que les informations contenues dans ce manuel sont exactes à tous les égards. Cependant, Chauvet n'assume aucune responsabilité et décline expressément toute responsabilité envers toute partie de toute perte, dommage ou dérangement causés par des erreurs ou des omissions dans ce document, que ces erreurs ou omissions résultent d'une négligence, d'un accident ou de toute autre cause. Chauvet se réserve le droit de réviser le contenu de ce document sans aucune obligation de notifier quelque personne ou société que ce soit de cette révision. Cependant, Chauvet n'a aucune obligation de réaliser de telles révisions, sans non plus s'engager à les réaliser. Téléchargez la dernière version de ce manuel sur www.chauvetdj.com.

Propriété intellectuelle

Les œuvres d'auteur contenues dans ce manuel, y compris, mais sans s'y limiter, l'ensemble des conceptions, des textes et des images sont la propriété de Chauvet.

© Copyright 2019 Chauvet & Sons, LLC. Tous droits réservés.

Publié électroniquement par Chauvet aux États-Unis.

CHAUVET, le logo Chauvet et Scorpion Dual RGB sont des marques déposées ou des marques de Chauvet & Sons LLC. (d/b/a Chauvet et Chauvet Lighting) aux États-Unis et dans d'autres pays. Les autres noms de produits et logos mentionnés dans le présent manuel peuvent être des marques commerciales de leurs sociétés respectives.

Consignes de Sécurité

Les consignes de sécurité comprennent des informations importantes sur la sécurité des systèmes laser. Veuillez lire et bien comprendre toutes les instructions avant d'allumer le laser pour la première fois. La connaissance de ces consignes de sécurité est cruciale pour éviter toute blessure aux yeux par un laser et pour ne pas enfreindre la loi. Veuillez conserver ce manuel d'utilisation dans un lieu sûr pour vous y référer ultérieurement.



ARRÊTEZ ET LISEZ TOUTES LES DONNÉES DE SÉCURITÉ DES LASERS



- Les lasers peuvent s'avérer dangereux et font l'objet de consignes de sécurité spécifiques. Une mauvaise utilisation des lasers pourrait entraîner une cécité totale ou causer des lésions oculaires. Portez une attention particulière aux libellés portant la mention AVERTISSEMENT ou REMARQUE dans ce manuel d'utilisation. Lisez et assimilez toutes les consignes AVANT de mettre cet appareil en marche pour la première fois.
- Connectez toujours l'appareil à un circuit relié à la terre afin d'éviter tout risque d'électrocution.
- Déconnectez toujours de l'alimentation principale avant de procéder à tout entretien ou remplacement du fusible.
- Évitez tout contact visuel direct avec la source lumineuse quand cet appareil est en marche.
- Assurez-vous que le cordon d'alimentation n'est ni tordu ni endommagé.
- Ne débranchez jamais cet appareil en tirant sur le cordon.
- Si vous installez l'appareil en hauteur, utilisez impérativement une élingue de sécurité pour le sécuriser au dispositif de fixation.
- Ne laissez aucun produit inflammable dans un rayon de 50 cm de l'appareil lorsque celui-ci fonctionne.
- Ne touchez pas cet appareil lors de son fonctionnement car il pourrait s'avérer brûlant.
- Cet appareil n'est pas conçu pour être utilisé dans une installation permanente.
- Veillez toujours à ce que la tension de la prise à laquelle vous branchez l'appareil soit comprise dans la plage indiquée sur l'étiquette ou à l'arrière de l'appareil.
- Cet appareil doit être utilisé en intérieur uniquement ! (IP20). Afin d'éviter tout risque d'incendie ou décharge électrique, veillez à n'exposer cet appareil ni à la pluie ni à l'humidité.
- Installez toujours cet appareil dans un endroit bien ventilé, à au moins 20 pouces (50 cm) des surfaces adjacentes.
- Assurez-vous qu'aucune fente de ventilation sur le boîtier de l'appareil ne soit obstruée.
- Ne connectez jamais cet appareil à un gradateur.
- Assurez-vous de remplacer le fusible par un autre du même type.
- Transportez ce produit uniquement au moyen de la poignée dont il est doté.
- Mettre l'appareil hors/sous tension à de brefs intervalles est fortement déconseillé. La durée de vie de la diode laser s'en trouverait fortement réduite.
- Ne secouez pas l'appareil. Évitez tout geste brusque lors de l'installation ou de l'utilisation de l'appareil.
- Utilisez TOUJOURS un câble de sécurité lorsque vous montez cet appareil en hauteur.
- La plage de température ambiante de fonctionnement pour le laser est de 15 °C à 35 °C (59 °F à 95 °F). Ne faites pas fonctionner cet appareil à des températures en dehors de cette plage.
- En cas de sérieux problèmes de fonctionnement, arrêtez le système immédiatement.
- N'essayez jamais de réparer cet appareil. Toute réparation effectuée par une personne non qualifiée peut entraîner des dommages ou un fonctionnement erratique de l'appareil. Mettez-vous en relation avec le centre d'assistance technique autorisé le plus près de chez vous.



ATTENTION ! L'utilisation de commandes, réglages ou procédures autres que CEUX spécifiés DANS CE MANUEL DE L'UTILISATEUR peut entraîner une exposition à des rayonnements dangereux.



- Lumière laser : évitez tout contact direct avec les yeux ! N'exposez jamais intentionnellement directement vos yeux ou ceux d'autres personnes à la lumière du laser.
- Cet appareil laser peut entraîner une cécité totale ou causer des lésions oculaires instantanées si le laser entre en contact direct avec les yeux.
- Il est illégal et dangereux de diriger ce laser vers les zones destinées au public, zones où les yeux des membres du public ou du personnel pourraient être en contact direct avec les rayons laser ou des réflexions lumineuses.
- Ne pointez pas de laser sur les avions, ceci est répréhensible par la loi.
- Durant les périodes de non-utilisation, pour éviter toute usure inutile et pour prolonger la durée de vie, déconnectez-entièrement l'appareil en le débranchant de l'alimentation électrique ou en coupant le disjoncteur.
- N'essayez JAMAIS de réparer l'appareil vous-même. Les réparations et entretiens doivent être effectués par un technicien agréé.





Conservez ce manuel d'utilisation pour référence future. Si vous étiez amené à vendre cet appareil à un autre utilisateur, veillez à lui remettre ce manuel également.

Avertissement : Boîtier non Verrouillable



- Cet appareil renferme un laser très puissant.
- N'ouvrez jamais le boîtier du laser, vous pourriez être exposé à des niveaux dangereux de radiation laser.
- L'intensité du laser à l'ouverture du boîtier peut entraîner instantanément une cécité, des brûlures cutanées ou des incendies.

Consignes de Sécurité Relatives au Laser



ARRÊTEZ ET LISEZ TOUTES LES CONSIGNES DE SÉCURITÉ DES LASERS CI-DESSOUS



La lumière laser est différente de toutes les autres lumières. La lumière laser peut causer des blessures aux yeux s'il n'est pas installé et utilisé correctement. La lumière laser est plusieurs milliers de fois plus concentrée que tout autre type de lumière. Cette concentration peut provoquer des lésions oculaires instantanées, principalement par la combustion de la rétine (la partie sensible à la lumière à l'arrière de l'œil). La chaleur d'une lumière laser ne peut pas être ressentie mais elle peut néanmoins blesser ou rendre aveugle les utilisateurs de l'appareil et le public. Même de très petites quantités de lumière laser sur de longues distances sont potentiellement dangereuses.

NE PAS penser que l'exposition à un faisceau laser est sans danger, même si ce n'est qu'une petite déviation d'un faisceau plus large. Cet appareil à laser utilise des dizaines de milliwatts de puissance laser (niveaux internes classe 3B) avant de les séparer en plusieurs faisceaux (niveaux classe 3R). Chacun des faisceaux laser de classe 3R est potentiellement dangereux pour les yeux.

NE SUPPOSEZ PAS qu'une lumière laser en mouvement est sans danger. Une lumière laser n'est jamais sans risque. Les lésions oculaires peuvent survenir en un instant, il est donc vital de faire tout le nécessaire pour éviter toute exposition directe de l'œil. Conformément à la réglementation en matière de sécurité laser, il est illégal de diriger des lasers de classe 3R dans des zones où des personnes peuvent être exposées, même si le laser est dirigé en-dessous du visage des personnes, par exemple une piste de danse.



- Ne pas faire fonctionner le laser sans avoir lu et bien compris toutes les données techniques et de sécurité de ce manuel.
- TOUJOURS configurer et installer tous les effets de laser afin que toute lumière laser soit à au moins 3 mètres (9,8 pieds) au-dessus du sol sur lequel les gens peuvent se tenir debout. Voir la section [Utilisation Adéquate](#) de ce manuel.
- Après l'installation, et avant l'usage en public, testez les lasers pour vous assurer de leur bon fonctionnement. Ne par utiliser l'appareil si un défaut est détecté.
- NE PAS pointer des lasers sur des personnes ou des animaux.
- NE PAS regarder dans l'ouverture laser ou dans les faisceaux laser.
- NE PAS diriger des lasers vers des zones où des personnes pourraient y être exposées.
- NE PAS pointer des lasers vers des surfaces très réfléchissantes telles que des fenêtres, des miroirs et le métal brillant. Les réflexions de laser peuvent également être dangereuses.
- Ne jamais pointer un laser sur un avion, cela étant considéré comme une infraction fédérale.
- Ne jamais pointer un faisceau laser non terminé vers le ciel.
- Ne pas exposer l'optique de sortie (ouverture) à des produits chimiques de nettoyage agressifs.
- Ne pas utiliser le laser si le boîtier est endommagé, ouvert, ou si les optiques apparaissent endommagées de quelque manière que ce soit.
- Ne jamais ouvrir le boîtier du laser. Les niveaux élevés de puissance de laser à l'intérieur du boîtier de protection peuvent provoquer des incendies ou brûler la peau, et peuvent provoquer des blessures instantanées aux yeux.
- Ne laissez jamais ce produit fonctionner sans surveillance.
- Le fonctionnement d'un show laser de classe 3R n'est autorisé que si les lasers sont contrôlés par un professionnel qualifié, convenablement formé et ayant pris connaissance des données présentes dans ce manuel.
- Les exigences légales pour l'utilisation d'appareils de divertissement à laser varient d'un pays à l'autre. L'utilisateur est responsable des exigences légales dans l'emplacement / le pays d'utilisation.



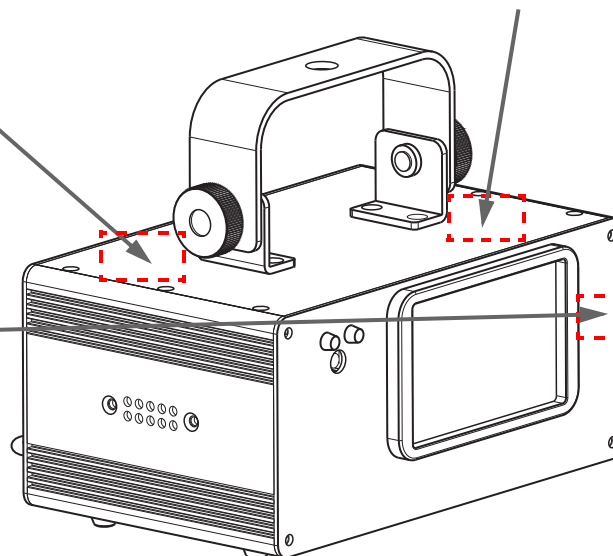
ATTENTION ! NE PAS utiliser cet appareil de manière contraire à ce qui est spécifié dans ce manuel de l'utilisateur. Le non-respect de ces instructions annule la garantie, peut endommager le produit ou blesser l'utilisateur ou le public.

ATTENTION ! Ce produit ne peut pas être jeté avec les ordures ménagères. Veuillez contacter votre service de gestion des déchets pour la réglementation locale concernant l'élimination des produits électroniques dans votre région.

Reproduction de l'Étiquette de Sécurité Laser

<p>LASER RADIATION AVOID DIRECTIVE EXPOSURE CLASS 3B LASER PRODUCT EN 60825-1:2007 Wavelength: 638nm Laser radiation class 3B only</p>	<p>Manufacturer : CHAUVET LIGHTING Address: 5200 NW 108th Ave, Sunrise, FL 33351 This device complies with 21 CFR 1040.10 and 1040.11 except for deviations pursuant to Laser Notice No. 50, dated June 24, 2007 Batch No: Sept 2018</p>
	<p>WARNING Cancer and Reproductive Harm - www.P65Warnings.ca.gov</p> <p>THIS APPLIANCE MUST BE GROUNDED CETTE UNIT DOIT RE RELI LA TERRE THIS FIXTURE HAS NO REPLACEMENT FUSE CET APPAREIL N'A PAS FUSIBLE REMPLAÇABLE NOT FOR HOUSEHOLD USE IMPROPRE A L'USAGE DOMESTIQUE DRY LOCATIONS EMPLACEMENTS SECS DISCONNECT POWER BEFORE SERVICING DRANCHER AVANT TOUT ENTRETIEN FOR INDOOR USE ONLY USAGE INTÉRIEUR UNIQUEMENT</p>
<p>CHAUVET 3 MODEL: SCORPION DUAL RGB LIGHT SOURCE: RGB Laser ITEM CODE: 10061542 INPUT VOLTAGE: 100-240VAC 50/60Hz ORIGIN: MADE IN P.R.C.</p>	<p>RoHS</p> <p>CE</p>

CAUTION
CLASS 3B LASER LIGHT WHEN OPEN
AVOID EXPOSURE TO THE BEAM



Avertissement d'Exposition au Laser



LUMIERE LASER ÉVITER L'EXPOSITION DIRECTE DES YEUX

D'autres lignes directrices et programmes de sécurité pour une utilisation sans risque des lasers peuvent être trouvés dans la norme ANSI Z136.1 "Pour l'utilisation sans risque des lasers", disponible auprès du Laser Institute of America : www.lia.org. De nombreux gouvernements locaux, entreprises, institutions, militaires et autres, exigent que tous les lasers soient utilisés dans le respect des directives de la norme ANSI Z136.1. Une aide pour l'affichage des laser peut être obtenue par l'intermédiaire de l'ILDA (International Laser Display Association) : www.ilda.com.

Données d'émission laser

Tel que mesuré dans les conditions de mesure de la CEI pour la classification.

Classification laser	Classe 3R
Milieu laser rouge	LD/638 nm/30 mW
Milieu laser vert	LD/520 nm/20 mW
Milieu laser bleu	LD/450 nm/50 mW
Diamètre du faisceau	<5 mm à l'ouverture
Données de pulsation	Toutes les pulsations < 4 Hz (>0.25 sec)
Divergence (chaque faisceau)	<2 mrad
Divergence (lumière totale)	<160 degrés
Puissance laser de chaque faisceau au l'ouverture*	<5 mW

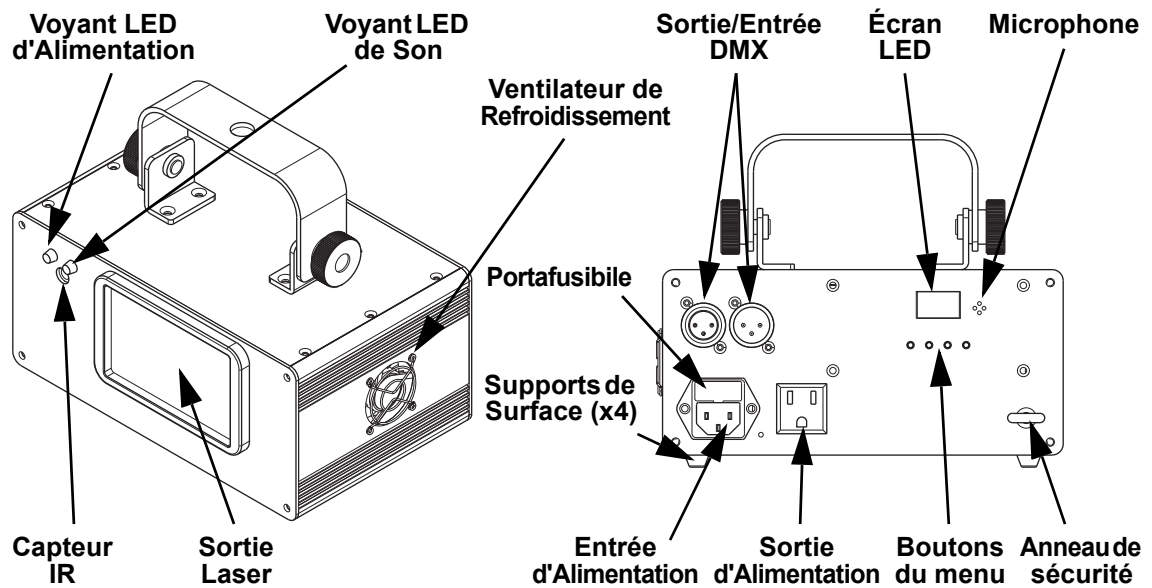
* Comme mesuré selon les conditions de mesure CEI pour la classification.

Déclaration de Conformité Laser

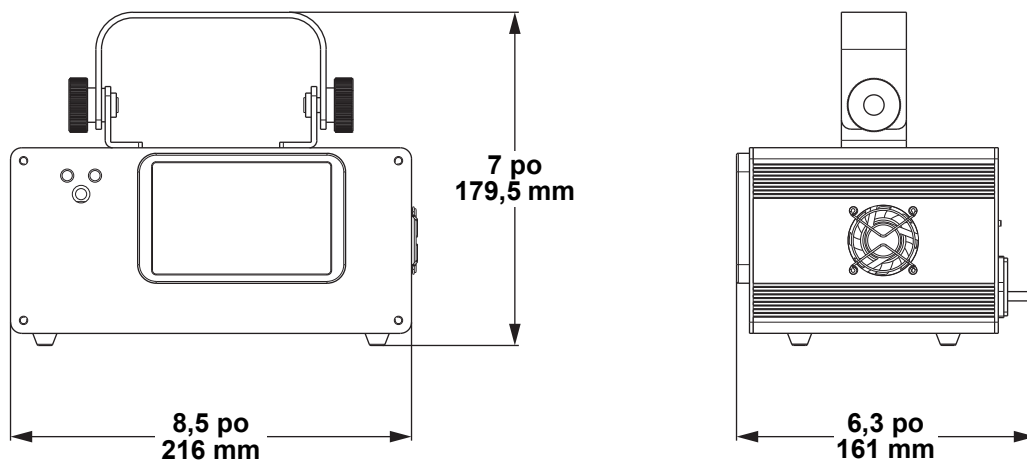
Conforme aux normes de performance de la FDA pour les produits laser, sauf pour les dérogations conformément à la norme Laser Notice No. 50 du 24 juin 2007. Aucun entretien n'est nécessaire pour maintenir la conformité de ce produit aux normes de performances laser.

2. Introduction

Vue d'ensemble du produit



Dimensions du produit



3. Configuration

Alimentation CA

Le Scorpion Dual RGB est doté d'une alimentation universelle interne et il peut fonctionner avec des tensions d'entrée comprises entre 100 et 240 V CA, 50/60 Hz. Pour déterminer les besoins en énergie de l'appareil (disjoncteur, prise de courant et câblage), utilisez la valeur de courant figurant sur l'étiquette apposée sur le panneau arrière de l'appareil, ou consultez la section [Spécificités Techniques](#) de ce manuel. La capacité nominale affichée indique la consommation courante dans des conditions normales d'utilisation.

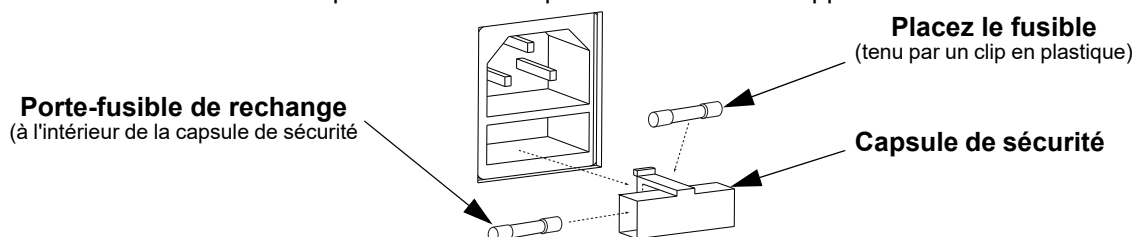
- **Toujours connecter l'appareil à un circuit protégé (disjoncteur ou fusible). Assurez-vous que l'appareil soit correctement mis à la terre pour éviter tout risque d'électrocution ou d'incendie.**
- **Durant les périodes de non-utilisation, pour éviter toute usure inutile et pour prolonger la durée de vie, déconnectez-entièrement l'appareil en le débranchant de l'alimentation électrique ou en coupant le disjoncteur.**



Ne connectez jamais l'appareil à un rhéostat (résistance variable) ou un circuit gradateur, même si vous n'avez l'intention de vous servir du rhéostat ou du canal d'assombrissement que comme interrupteur 0 à 100%.

Remplacement des fusibles

1. Débranchez l'appareil de l'alimentation.
2. Insérez et calez la pointe d'un tournevis à tête plate dans la fente du porte-fusible.
3. En faisant levier, faites-le sortir de son emplacement.
4. Retirez le fusible obsolète du porte-fusible et remplacez avec un de même type et même ampérage.
5. Insérez à nouveau le porte-fusible à sa place et rebranchez l'appareil.



Débranchez l'appareil avant de procéder au remplacement du fusible.

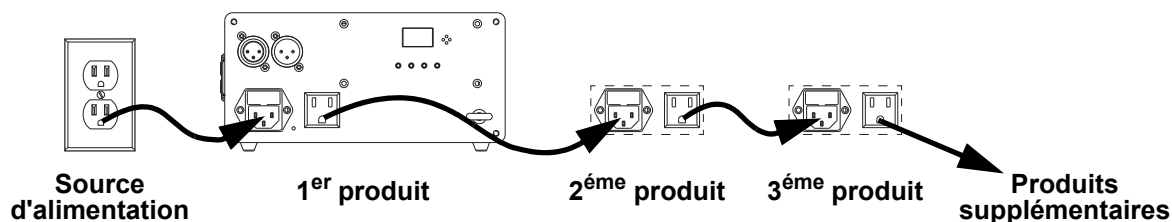


Remplacez toujours un fusible obsolète avec un de même type et même ampérage.

Connexion électrique

Le produit fournit la chaîne alimentaire via l'Edison de sortie à l'arrière du produit. Voir le schéma ci-dessous pour plus d'informations.

Diagramme de raccordement d'alimentation



Jusqu'à 27 produits Scorpion Dual RGB peuvent être alimentés sur du 120 V et jusqu'à 48 produits Scorpion Dual RGB sur du 230 V.



Le schéma de raccordement d'alimentation ci-dessus correspond UNIQUEMENT à la version américaine de cet appareil ! Les connecteurs et exigences en matière de raccordement en chaîne varient de pays en pays et de région en région. Si vous utilisez cette unité en dehors de l'Amérique du nord, veuillez consulter votre distributeur Chauvet.

Installation

Avant d'installer ce produit, lisez, assimilez et suivez les recommandations en matière de sécurité reprises dans la section [Consignes de Sécurité](#).

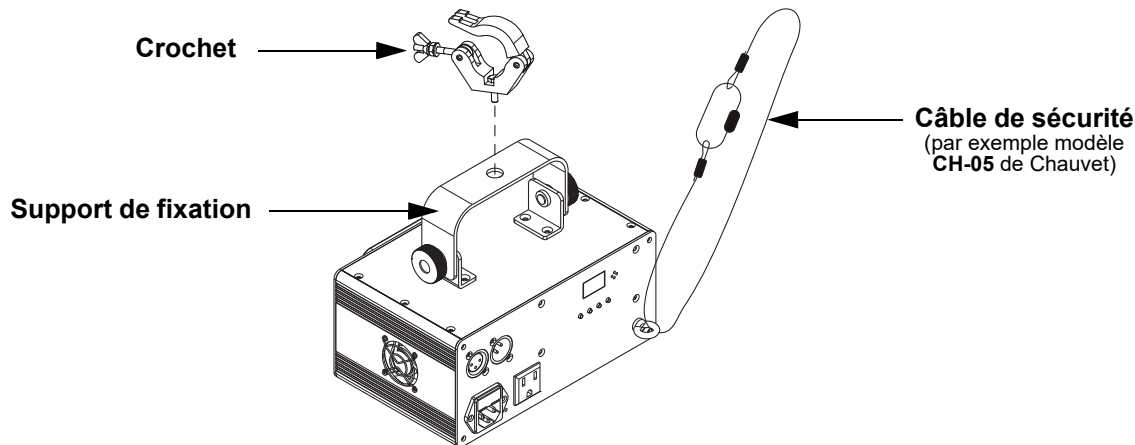
Orientation

Le Scorpion Dual RGB doit être monté de manière à garantir l'usage en toute sécurité du laser. Assurez-vous que la ventilation de cet appareil puisse s'effectuer de manière adéquate.

Suspension

- Avant de choisir un emplacement pour l'appareil, assurez-vous qu'il soit facile d'y accéder pour toute opération de maintenance et de programmation.
- Assurez-vous que la structure ou la surface sur laquelle vous installez l'appareil peut en supporter le poids (voir les [Spécificités Techniques](#))
- Utilisez toujours un câble de sécurité lorsque vous montez cet appareil en hauteur. Garantissez un montage en toute sécurité de l'appareil en le reliant à un point de fixation, comme une plateforme en hauteur ou une structure.
- Lors de la suspension de l'appareil à une structure, vous devriez utiliser un clip de fixation en mesure de supporter la charge nécessaire.
- Les molettes de réglage de la fixation permettent d'ajuster la position de l'appareil lors de son positionnement à l'angle désiré. N'utilisez aucun outil pour relâcher ou resserrer les molettes de la fixation. En utiliser pourrait endommager les molettes.

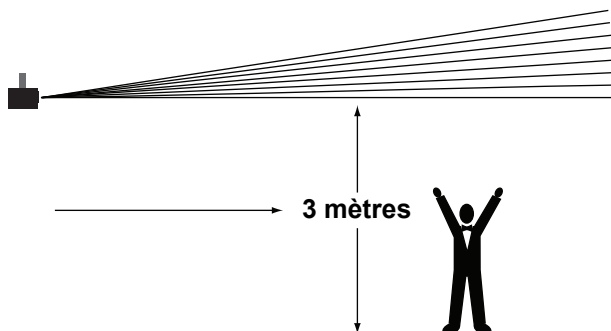
Schéma de installation



Utilisation Adéquate

Cet appareil doit être monté en hauteur uniquement. Pour des raisons de sécurité, Chauvet recommande de monter vos éclairages sur une plateforme élevée stable ou des supports en hauteur renforcés au moyen de systèmes de suspension adéquats. Vous devez, dans tous les cas, utiliser des élingues de sécurité. Le matériel de montage approprié peut être acquis auprès de votre revendeur d'éclairage.

Les réglementations internationales en matière de sécurité des appareils laser exigent que ceux-ci soient installés de manière à ce qu'un minimum de 3 mètres de séparation à la verticale existe entre le sol et la lumière laser la plus basse projetée. De plus, une séparation de 3 mètres à l'horizontal doit être respectée entre toute lumière laser émise et les membres du public ou autres espaces publics.



ATTENTION : L'utilisation des commandes, réglages ou procédures autres que celles spécifiées DANS CE MANUEL D'UTILISATION peut entraîner de dangereuses expositions à des radiations.

4. Fonctionnement

Cet appareil ne doit pas fonctionner de manière continue. Afin de maximiser la durée de vie de votre laser, veillez à le mettre en pause régulièrement. Débranchez toujours le Scorpion Dual RGB quand il n'est pas utilisé.

Fonctionnement du Panneau de Commande

Pour accéder aux fonctions du panneau de commande, utilisez les quatre boutons situés en dessous de l'affichage. Veuillez vous référer à la [Vue d'ensemble du produit](#) pour voir les emplacements des boutons sur le panneau de commande.

Bouton	Fonction
<MENU>	Appuyez pour sortir de l'option ou fonction de menu courante
<UP>	Appuyez pour vous déplacer vers le haut dans une liste d'options ou pour sélectionner une valeur plus haute
<DOWN>	Appuyez pour vous déplacer vers le bas dans une liste d'options ou pour sélectionner une valeur plus basse
<ENTER>	Appuyez pour activer une option de menu ou une valeur sélectionnée

Plan du menu

Mode	Niveaux de programmation	Description
Mode DMX	001–503	Sélectionne l'adresse DMX de départ
Mode Esclave	SLA	Mode esclave
Télécommande	rEN	Télécommande sans fil
Mode Test	tSt	Motif de test
Mode automatique/ Mode son-actif	Aut	Programmes automatiques
	Au1–6	
	Sou	Programmes son-actif
Sensibilité sonore	S 0–9	Sensibilité sonore

Configuration (DMX)

Le Scorpion Dual RGB fonctionne avec un contrôleur DMX. Pour plus d'informations sur le DMX, téléchargez l'introduction au DMX de CHAUVET sur le site internet de Chauvet à l'adresse : http://www.chauvetlighting.com/downloads/DMX_Primer_rev05_WO.pdf.

Adresse de départ

Lors de la sélection d'une adresse DMX de départ, veillez à toujours prendre en compte le nombre de canaux DMX utilisés par le mode DMX sélectionné. Si vous choisissez une adresse de départ trop élevée vous pouvez restreindre l'accès à certains des canaux de l'appareil.

Le Scorpion Dual RGB utilise jusqu'à 16 canaux DMX, ce qui détermine la plus haute adresse configurable à **503**.

S'il vous manque des informations sur le protocole DMX ou si vous souhaitez approfondir vos connaissances, vous pouvez télécharger l'introduction au DMX à l'adresse www.chauvetdj.com.

Pour définir l'adresse DMX de départ, effectuez les actions suivantes :

1. Appuyez sur la touche <MENU> de manière répétée jusqu'à ce que l'affichage indique **001–503**.
2. Utilisez les touches <UP> ou <DOWN> pour augmenter ou diminuer l'adresse de départ.
3. Appuyez sur la touche <ENTER>.

Affectation de canaux DMX et valeurs
10 canaux

Canal	Fonction	Valeur	Pourcentage/Paramétrage
1	Mode de contrôle	000 ⇔ 017	Mode de contrôle manuel
		018 ⇔ 034	Mode automatique (multicolore)
		035 ⇔ 051	Mode automatique (rouge)
		052 ⇔ 068	Mode automatique (vert)
		069 ⇔ 085	Mode automatique (bleu)
		086 ⇔ 102	Mode automatique (jaune)
		103 ⇔ 119	Mode automatique (magenta)
		120 ⇔ 136	Mode automatique (cyan)
		137 ⇔ 153	Mode son-actif (multicolore)
		154 ⇔ 170	Mode son-actif (rouge)
		171 ⇔ 187	Mode son-actif (vert)
		188 ⇔ 204	Mode son-actif (bleu)
		205 ⇔ 221	Mode son-actif (jaune)
		222 ⇔ 238	Mode son-actif (magenta)
239 ⇔ 255	Mode son-actif (cyan)		
2	Motif (quand le can. 3 est actif)	000 ⇔ 255	Voir la section Motifs
3	Couleur	000 ⇔ 014	Pas de fonction
		015 ⇔ 030	Multicolore 1
		031 ⇔ 046	Rouge
		047 ⇔ 062	Vert
		063 ⇔ 078	Bleu
		079 ⇔ 094	Jaune
		095 ⇔ 110	Magenta
		111 ⇔ 126	Cyan
		127 ⇔ 149	Programme rouge et vert
		150 ⇔ 174	Programme vert et bleu
		175 ⇔ 199	Programme rouge et bleu
		200 ⇔ 224	Programme toutes les couleurs
225 ⇔ 255	Programme multi-couleur		
4	Stroboscope (quand le can. 3 est 015 ⇔ 126)	000 ⇔ 004	Pas de fonction
		005 ⇔ 255	Stroboscope, lent à rapide
	Vitesse (quand le can. 3 est 127 ⇔ 255)	000 ⇔ 255	Vitesse du programme de couleur, lent à rapide
5	Zoom	000 ⇔ 127	Zoom manuel, 100–5%
		128 ⇔ 169	Zoom automatique, 100–5%, lent à rapide
		170 ⇔ 209	Zoom automatique, 5–100%, lent à rapide
		210 ⇔ 255	Zoom automatique, 100–5–100%, lent à rapide
6	Pan	000 ⇔ 127	Pan manuel (128 points horizontaux)
		128 ⇔ 191	Pan automatique, lent à rapide
		192 ⇔ 255	Pan automatique inversé, rapide à lent
7	Tilt	000 ⇔ 127	Tilt manuel (128 points verticaux)
		128 ⇔ 191	Tilt automatique, lent à rapide
		192 ⇔ 255	Tilt automatique inversé, rapide à lent
8	Rotation axe x	000 ⇔ 127	Rotation axe x manuel (0–359°)
		128 ⇔ 191	Rotation automatique, lent à rapide
		192 ⇔ 255	Rotation automatique inversé, rapide à lent

Canal	Fonction	Valeur	Pourcentage/Paramétrage
9	Rotation axe y	000 ⇔ 127	Rotation axe y manuel (0–359°)
		128 ⇔ 191	Rotation automatique, lent à rapide
		192 ⇔ 255	Rotation automatique inversé, rapide à lent
10	Rotation axe z	000 ⇔ 127	Rotation axe z manuel (0–359°)
		128 ⇔ 191	Rotation automatique, lent à rapide
		192 ⇔ 255	Rotation automatique inversé, rapide à lent



- Pour l'utilisation manuelle de lasers avec commande DMX, s'assurer que le canal 1 est réglé en mode de contrôle manuel (000 ⇔ 017).
- Pour l'utilisation automatique de lasers avec commande DMX, s'assurer que le canal 1 est réglé en mode automatique (018 ⇔ 136).
- Pour l'utilisation son-actif de lasers avec commande DMX, s'assurer que le canal 1 est réglé en mode son-actif (137 ⇔ 153)
- Le canal 3 doit être réglé à 015 ⇔ 255 pour que les canaux 2 et 4–10 soit opérationnel.

Motifs

DMX	Motif	DMX	Motif	DMX	Motif	DMX	Motif
000 ⇔ 007		064 ⇔ 071		128 ⇔ 135		192 ⇔ 199	
008 ⇔ 015		072 ⇔ 079		136 ⇔ 143		200 ⇔ 207	
016 ⇔ 023		080 ⇔ 087		144 ⇔ 151		208 ⇔ 215	
024 ⇔ 031		088 ⇔ 095		152 ⇔ 159		216 ⇔ 223	
032 ⇔ 039		096 ⇔ 103		160 ⇔ 167		224 ⇔ 231	
040 ⇔ 047		104 ⇔ 111		168 ⇔ 175		232 ⇔ 239	
048 ⇔ 055		112 ⇔ 119		176 ⇔ 183		240 ⇔ 247	
056 ⇔ 063		120 ⇔ 127		184 ⇔ 191		248 ⇔ 255	

Configuration (Autonome)

Permet de paramétrer l'appareil dans l'un des modes autonomes pour permettre l'utilisation sans contrôleur DMX.



Ne jamais connecter un appareil qui fonctionne en mode individuel à une chaîne DMX connectée à un contrôleur DMX. Les appareils en mode autonome peuvent émettre des signaux DMX qui interfèrent avec les signaux DMX du contrôleur.

Mode Automatique

Pour faire fonctionner le Scorpion Dual RGB en mode automatique, suivre les instructions ci-dessous.

1. Appuyez sur la touche **<MENU>** de manière répétée jusqu'à ce que l'affichage indique **Sou** ou **Aut**.
2. Utilisez les touches **<UP>** ou **<DOWN>** pour sélectionner de **Aut** et **Au1-6**.
3. Appuyez sur la touche **<ENTER>**.

Mode d'activation par le son

Pour faire fonctionner le Scorpion Dual RGB en mode d'activation par le son, procédez comme suit :

1. Appuyez sur la touche **<MENU>** de manière répétée jusqu'à ce que l'affichage indique **Sou** ou **Aut**.
2. Utilisez les touches **<UP>** ou **<DOWN>** pour sélectionner de **Sou** et **So1-6**.
3. Appuyez sur la touche **<ENTER>**.

Sensibilité sonore

Pour régler la sensibilité sonore sur le Scorpion Dual RGB, suivre les instructions ci-dessous.

1. Appuyez sur la touche **<MENU>** de manière répétée jusqu'à ce que l'affichage indique **S 0-9**.
2. Utilisez les touches **<UP>** ou **<DOWN>** pour augmenter ou diminuer la sensibilité sonore.
3. Appuyez sur la touche **<ENTER>**.



- **Le produit ne répond qu'aux basses fréquences de la musique (basses et batteries).**
- **Le laser s'éteint en mode son après 3 secondes de silence ou de bruit sous le réglage de sensibilité.**

Mode test

Activer le motif de test de laser, procédez comme suit :

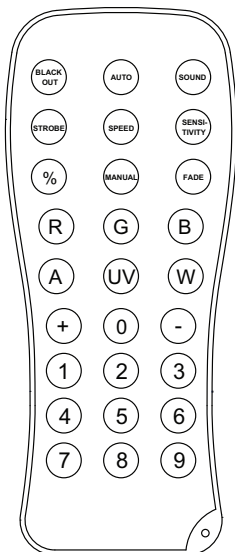
1. Appuyez sur la touche **<MENU>** de manière répétée jusqu'à ce que l'affichage indique **tSt**.
2. Appuyez sur la touche **<ENTER>**.

IRC-6 télécommande par infrarouge

Le Scorpion Dual RGB est compatible avec la télécommande infra-rouge (IRC-6) de CHAUVET. Pour activer la commande IRC-6, suivre les instructions ci-dessous.

1. Appuyez sur la touche **<MENU>** de manière répétée jusqu'à ce que l'affichage indique **rEN**.
2. Appuyez sur la touche **<ENTER>**.

Fonctionnement de la IRC-6



Mode automatique

Pour activer le mode automatique avec l'IRC-6 :

1. Appuyez sur la touche **<AUTO>** du IRC-6.

Mode son-actif

Pour activer le mode son-actif avec l'IRC-6 :

1. Appuyez sur la touche **<SOUND>** du IRC-6.

Pour régler la sensibilité sonore :

1. Appuyez sur la touche **<SENSITIVITY>** du IRC-6.
2. Appuyez sur la touche **<+>** ou **<->** pour augmenter ou diminuer la sensibilité sonore.

Contrôle manuel

Pour sélectionner manuellement la couleur laser avec l'IRC-6 :

1. Appuyez sur la couleur désirée, parmi **<R>** (rouge), **<G>** (vert), **** (bleu), **<A>** (jaune), **<UV/P>** (magenta) or **<W>** (multicolore).

Pour sélectionner manuellement le motif laser avec l'IRC-6 :

1. Sélectionnez une couleur manuelle.
2. Appuyez sur la touche **<+>** ou **<->** pour faire défiler les motifs.

Faire le noir

Pour éteindre les lasers avec l'IRC-6 :

1. Appuyez sur la touche **<BLACK OUT>** du IRC-6.

Cela éteindra tous les lasers jusqu'à ce que le bouton soit pressé à nouveau.

REMARQUE : l'IRC-6 ne répondra à aucune entrée lorsque faire le noir est activé.

Si le produit ne répond pas lorsque vous appuyez sur un bouton, essayez d'appuyer sur **<BLACK OUT>**. Faire le noir peut avoir été activé.



- **Toute commande ou réglage de la télécommande IR est enregistré jusqu'au redémarrage du système. Le système revient en mode automatique après redémarrage.**
- **Les boutons de la télécommande IR non mentionnés ci-dessus sont réservés pour usage ultérieur.**

Mode maître/esclave

Le mode maître/esclave permet à un seul appareil Scorpion Dual RGB (le maître) de contrôler les actions d'un ou plusieurs autres appareils Scorpion Dual RGB (les esclaves) sans contrôleur DMX. L'appareil maître doit être réglé pour fonctionner en mode autonome ou avec la télécommande IR, tandis que les appareils esclaves doivent être paramétrés pour fonctionner en mode esclave. Une fois paramétrés et connectés, les appareils esclaves fonctionnent à l'unisson avec l'appareil maître.

Configurez les appareils comme indiqué ci-dessous :

Appareils esclaves :

1. Appuyez sur la touche **<MENU>** de manière répétée jusqu'à ce que l'affichage indique **SLA**.
2. Appuyez sur la touche **<ENTER>**.
3. Connectez l'entrée DMX du premier appareil esclave à la sortie DMX de l'appareil maître.
4. Connectez l'entrée DMX de chaque appareil esclave subséquent à la sortie DMX de l'appareil esclave précédent.
5. Continuez jusqu'à ce que tous les appareils esclaves soient paramétrés et connectés.

Appareil maître :

1. Paramétrez l'appareil maître pour un fonctionnement en mode autonome ou avec la télécommande IR.
2. Assurez-vous que l'appareil maître soit le premier appareil dans la chaîne DMX.
 - **Configurez tous les appareils esclaves avant de connecter le maître à la chaîne DMX.**
 - **Ne jamais connecter un contrôleur DMX à une chaîne DMX configurée pour le fonctionnement en maître/esclave car le contrôleur peut rentrer en conflit avec les signaux du maître.**
 - **Ne pas connecter plus de 31 esclaves au maître.**



5. Entretien

Entretien de l'appareil

L'accumulation de poussière réduit la production de lumière et peut entraîner une surchauffe de l'appareil. Cela peut entraîner une diminution de la durée de vie de la source de lumière et/ou une usure mécanique. Pour conserver des performances optimales et réduire l'usure, nettoyez vos appareils d'éclairage au moins deux fois par mois. Veuillez cependant bien garder à l'esprit que l'utilisation et les conditions environnementales peuvent contribuer à augmenter la fréquence de nettoyage.

Pour nettoyer l'appareil, suivez les instructions ci-dessous :

1. Débranchez l'appareil.
2. Attendez que l'appareil soit à la température ambiante.
3. Utilisez un aspirateur (ou un compresseur d'air) et une brosse douce pour enlever la poussière accumulée sur les surfaces/événements externes.
4. Nettoyez toutes les surfaces transparentes avec une solution douce de nettoyage pour vitres sans ammoniac ou de l'alcool isopropylique.
5. Appliquez la solution directement sur un chiffon de coton doux et non pelucheux ou un tissu de nettoyage d'objectif.
6. Essuyez soigneusement toute trace de saleté ou d'encrassement sur la surface transparente.
7. Nettoyez en douceur les surfaces transparentes jusqu'à ce que toute peluche ou trace ait disparue.



Assurez-vous de bien sécher toutes les surfaces transparentes après les avoir nettoyé.

6. Spécificités Techniques

Dimensions et poids

Longueur	Largeur	Hauteur	Poids
216 mm (8,5 po)	161 mm (6,3 po)	179,5 mm (7 po)	1,7 kg (3,8 lb)

Remarque : Les dimensions en pouce sont arrondies.

Alimentation

Type d'alimentation	Plage	Sélection de tension
Commutation (interne)	Entre 100 et 240 VCA, 50/60 Hz	Universelle

Paramètre	120 V, 60 Hz	230 V, 50 Hz
Consommation	20 W	19 W
Courant de fonctionnement	0.3 A	0.2 A
Courant de chaînage électrique (produits)	8 A (27 produits)	8 A (48 produits)
Fusible	T 3,15 A, 250 V	T 3,15 A, 250 V

E/S alimentation	US/Monde	UK/Europe
Connecteur d'entrée d'alimentation	IEC	IEC
Connecteur de sortie d'alimentation	Edison	IEC
Prise du cordon d'alimentation	Edison (US)	Prise locale

Source lumineuse

Type	Alimentation	Longueur d'onde
Laser (rouge)	30 mW	638 nm
Laser (vert)	20 mW	520 nm
Laser (bleu)	50 mW	450 nm

Données photométrique

Pan et Tilt	Fréquence de stroboscope	Angle de couverture	Angle de zoom
30°/30° (variable)	0 à 27 Hz	36°	1° à 29°

Thermique

Temp. externe minimum du laser	Temp. externe maximum du laser	Système de refroidissement
15 °C (59 °F)	35 °C (95 °F)	Convection assistée par ventilateur

DMX

Connecteurs E/S	Plage de canaux
Prise XLR à trois broches	10

Commande

No du produit	Code de l'article	Code UPC
Scorpion Dual RGB	10061542	781462218904



Renvois

Dans le cas où vous avez besoin d'aide ou pour retourner un produit :

- Si vous résidez aux États-Unis, contactez le siège mondial de Chauvet.
- Si vous vivez au Royaume-Uni ou en Irlande, contactez Chauvet Europe Ltd.
- Si vous vivez au Benelux, contactez Chauvet Europe BVBA.
- Si vous vivez au France, contactez Chauvet France.
- Si vous vivez à l'Allemagne, contactez Chauvet Germany.
- Si vous vivez au Mexique, contactez Chauvet Mexico.
- Si vous résidez n'importe où ailleurs, NE contactez pas Chauvet. Contactez votre revendeur. Rendez-vous sur www.chauvetdj.com pour découvrir la liste des revendeurs en dehors des États-Unis, du Royaume-Uni, de l'Irlande, du Benelux, de la France, de l'Allemagne ou du Mexique.



Si vous résidez en dehors des États-Unis, du Royaume-Uni, de l'Irlande, du Benelux, de la France, de l'Allemagne ou du Mexique contactez votre revendeur et suivez leurs instructions quant à la procédure à suivre pour renvoyer votre appareil. Consultez notre site Web www.chauvetdj.com pour trouver leurs coordonnées.

Téléphonez au centre d'assistance technique de Chauvet correspondant et demandez un numéro d'autorisation de retour (NAR) avant de nous réexpédier l'appareil. Pour l'obtenir, il vous sera demandé de fournir le numéro du modèle, le numéro de série ainsi qu'une brève description de l'objet du retour.

Pour soumettre une demande de service en ligne, rendez-vous sur www.chauvetdj.com/service-request.

Vous devez nous retourner la marchandise en port prépayé, dans ses boîte et emballage d'origine et avec tous ses accessoires. Chauvet ne délivrera pas d'étiquettes de renvoi.

Indiquez lisiblement le NAR sur une étiquette apposée sur le colis. Chauvet refusera la réception de tout appareil pour lequel aucun NAR n'a été demandé.



Inscrivez le NAR sur une étiquette convenablement collée. N'écrivez PAS le NAR directement sur le colis.

Avant de nous retourner le colis, inscrivez les informations suivantes, de manière lisible, sur une feuille de papier, que vous placerez à l'intérieur du colis :

- Votre nom
- Votre adresse
- Votre numéro de téléphone
- Le numéro de NAR
- Une courte description du problème

Veillez à emballer l'appareil de manière adéquate. Vous serez tenu responsable de tout dommage survenant lors de l'expédition de retour dû à un emballage inadéquat. Nous vous recommandons d'utiliser un emballage double ou celui de FedEx.



Chauvet se réserve le droit, à sa convenance, de réparer ou remplacer tout appareil qui lui est retourné.

Nous Contacter

Informations Générales	Support Technique
Siège mondial de Chauvet	
Adresse : 5200 NW 108th Ave. Sunrise, FL 33351 Téléphone : (954) 577-4455 Télécopie : (954) 929-5560 N° vert : (800) 762-1084	Téléphone : (844) 393-7575 Télécopie : (954) 756-8015 E-mail : chauvetcs@chauvetlighting.com Site web : www.chauvetdj.com
Chauvet Europe Ltd	
Adresse : Unit 1C Brookhill Road Industrial Estate Pinxton, Nottingham, UK NG16 6NT Téléphone : +44 (0) 1773 511115 Fax : +44 (0) 1773 511110	E-mail : UKtech@chauvetlighting.eu Site web : www.chauvetdj.eu
Chauvet Europe BVBA	
Adresse : Stokstraat 18 9770 Kruishoutem Belgium Téléphone : +32 9 388 93 97	E-mail : BNLtech@chauvetlighting.eu Site web : www.chauvetdj.eu
Chauvet France	
Adresse : 3, Rue Ampère 91380 Chilly-Mazarin France Téléphone : +33 1 78 85 33 59	E-mail : FRtech@chauvetlighting.fr Site web : www.chauvetdj.eu
Chauvet Germany	
Adresse : Bruno-Bürgel-Str. 11 28759 Bremen Germany Téléphone : +49 421 62 60 20	E-mail : DEtech@chauvetlighting.de Site web : www.chauvetdj.eu
Chauvet Mexico	
Adresse : Av. de las Partidas 34 - 3B (Entrance by Calle 2) Zona Industrial Lerma Lerma, Edo. de México, CP 52000 Téléphone : +52 (728) 690-2010	E-mail : servicio@chauvet.com.mx Site web : www.chauvetdj.mx

En dehors des États-Unis, du Royaume-Uni, de l'Irlande, du Benelux, de la France, de l'Allemagne ou du Mexique, contactez votre revendeur. Suivez leurs instructions pour accéder à l'assistance ou pour renvoyer un produit. Consultez notre site web pour les coordonnées.