



SUNDIAL

Solar Bollard Light
3W

Installation Manual

SOLTECH Designs and Manufactures
Advanced, Solar-Powered
LED Technology.



SOLTECH
Smart Solar Lighting

01 Introduction

Thank you for purchasing SUNDIAL Solar Bollard Light.

Important

Please read these instructions before installation to ensure optimum results and longevity of your lights. The solar panel should be charged in full sunlight for 8 to 9 hours before initial first use to provide optimum results.

Features

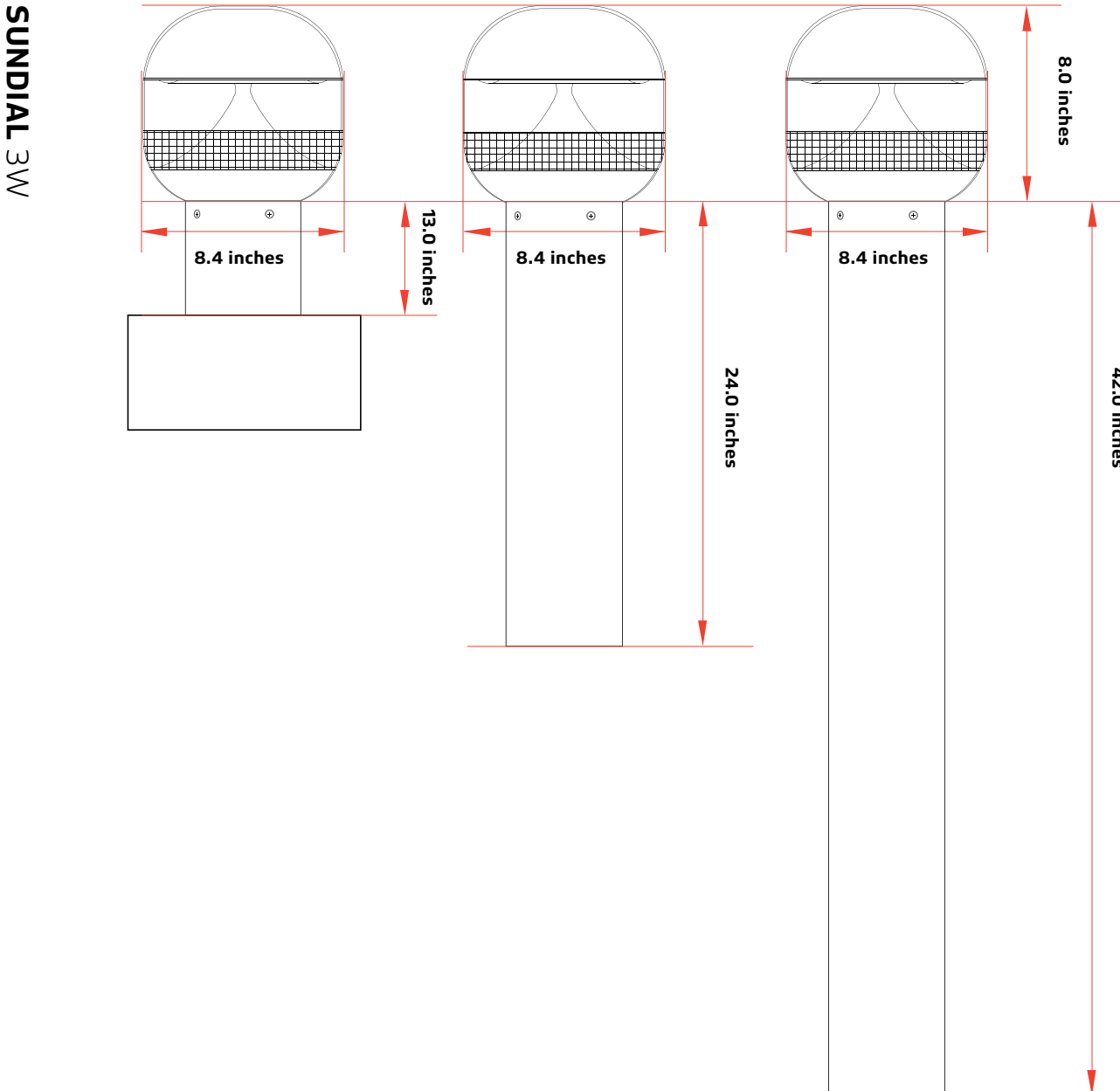
- Full 360 degree design to track full solar trajectory
- Three heights to meet various site planning needs
- No trenching, wiring, nor electricity costs
- IK10 impact rating on PC cover

Notice & Warning

1. The SUNDIAL will provide optimum performance where there is enough sunshine.
2. Please note that the duration of illumination depends on sunshine exposure and weather.
3. The lamp will automatically turn on at dusk.
4. Disassembling the fixture head voids the product warranty.
5. The battery contains hazardous chemicals. Please dispose of used batteries properly.

Please Note

Continuous rain or cloudy days will not fully charge the battery, so the light's output length will decrease.



02 Specification

Specifications	SUNDIAL 3W 13"	SUNDIAL 3W 24"	SUNDIAL 3W 42"
LED Nominal Power	3W		
Solar Panel	Mono-Crystalline 4.3V 3W		
Lithium Ion Battery	3.7V 10AH		
CCT	3,000K		
Lumen Output@3000K	300		
CRI	70		
Light Head	8.4 X 8.0 Inches		
Ground Mount	13 Inches	24 Inches	42 Inches
Beam Angle	217°		
IP Rating	IP65		
Casting	PC & Aluminum		
Efficiency@3000K	100 lm/W		
* Charging Time	14hrs (1000W/m ²)		
Run Time (@Full Power)	48 Hrs		
Operation Mode	1 Mode		
* Operating Temperature	-4 °F to 130 °F		
* Charging Temperature	5 °F to 140 °F		

* The temperature can impact the battery's charging and normal operation.

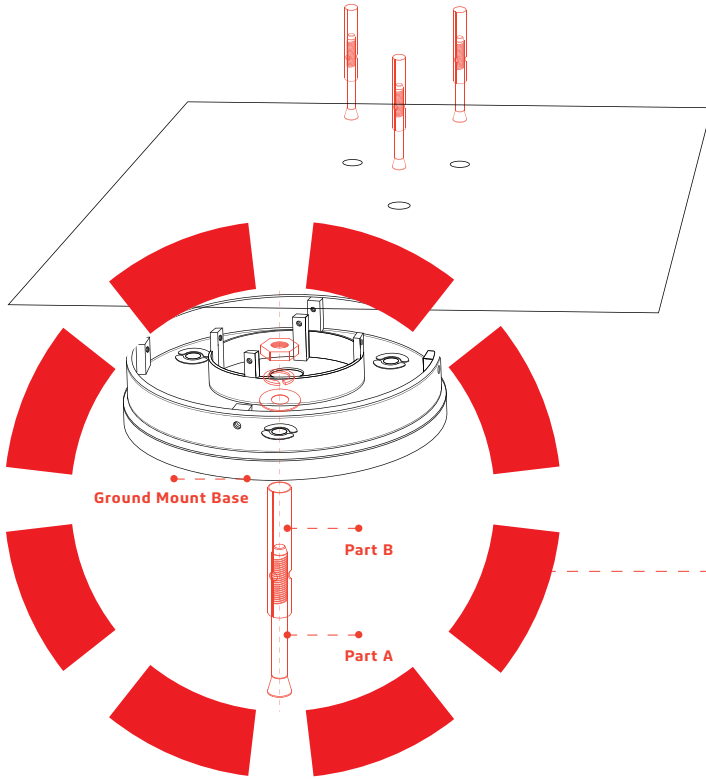
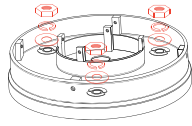
* The solar charge time data is base on 77 degree F ambient temperature with the panel pointed directly at the solar radiation. The standard radiation value is 1000W/m².

03 Installation

GROUND MOUNT

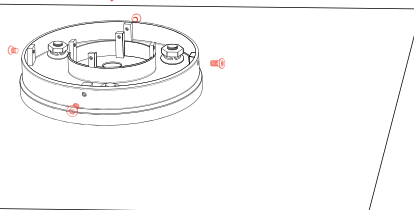
01

Drill three holes in the base material, then use the screw kit to secure the ground mount base.



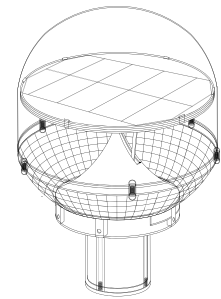
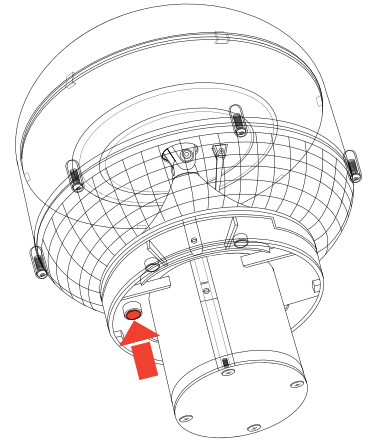
02

Use the screw kit to fix the pole onto the ground mount base.



03

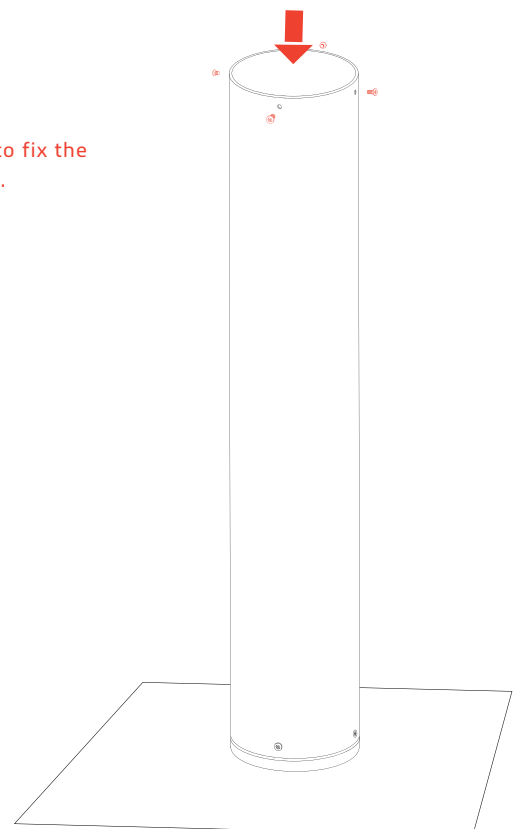
Press the red button on the bottom of the fixture to turn it on.



When installing the ground mount base, please put Part A and Part B into the ground holes first then install the ground mount base on top.

04

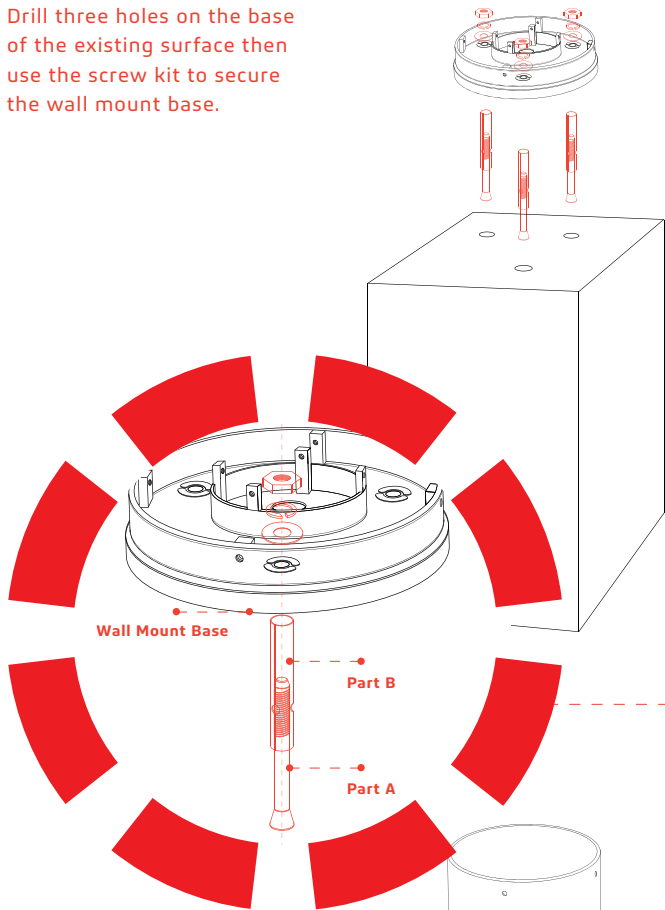
Use the screw kit to fix the light onto the pole.



WALL MOUNT

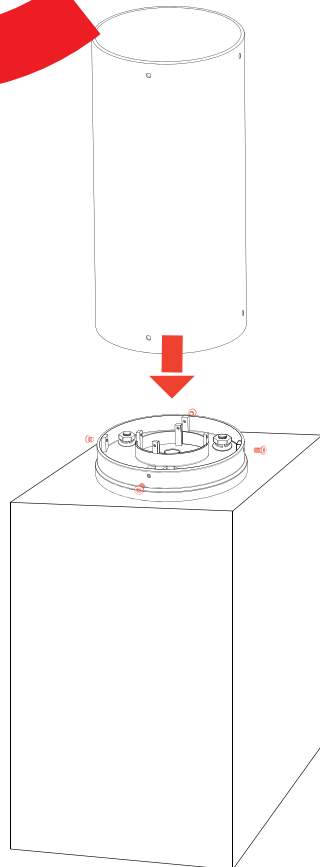
01

Drill three holes on the base of the existing surface then use the screw kit to secure the wall mount base.



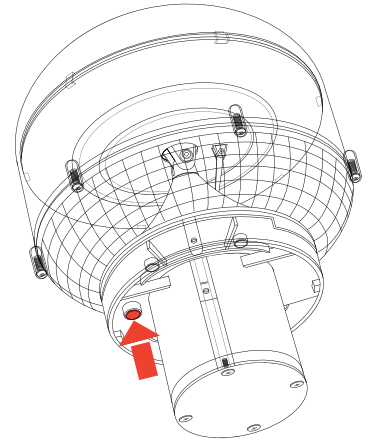
02

Use the screw kit to fix the pole onto the wall mount base.



03

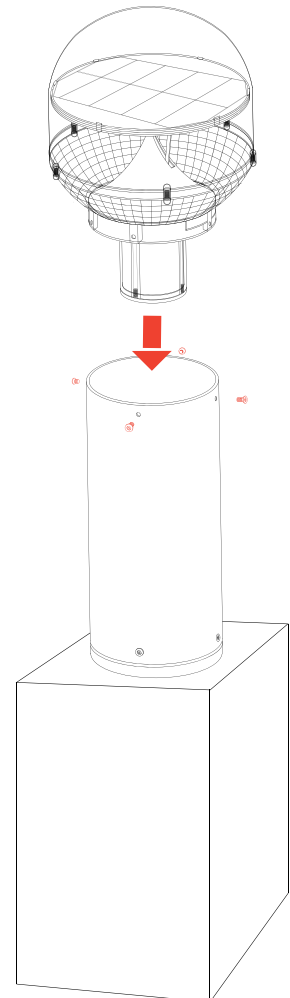
Press the red button on the bottom of the fixture to turn it on.



When installing the wall mount base, please put Part A and Part B into the surface holes first then install the wall mount base on top.

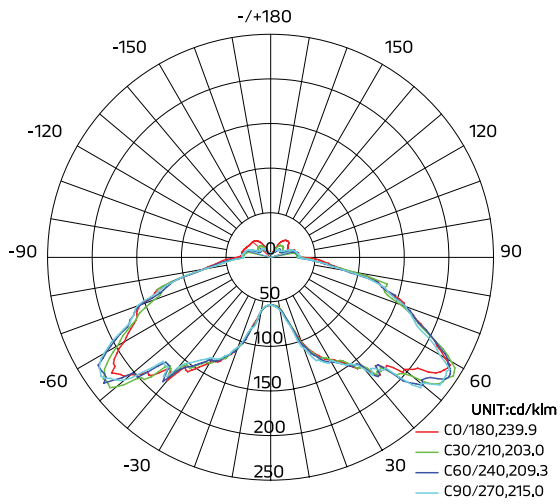
04

Use the screw kit to fix the light onto the pole.

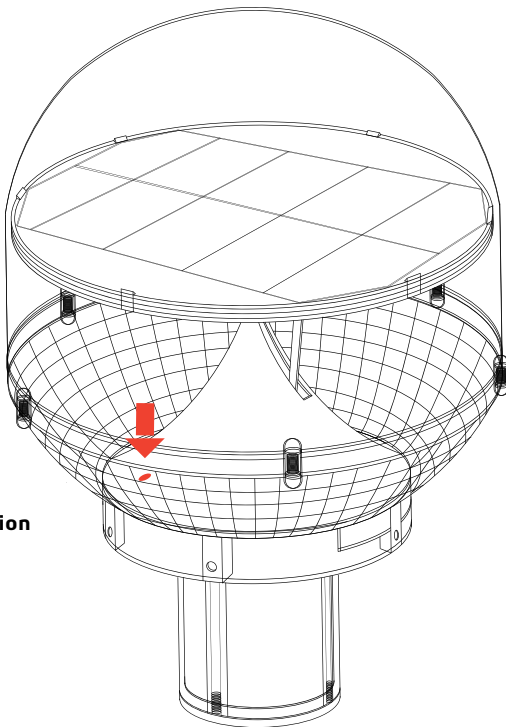


04 Light Distribution

SUNDIAL 3W



INDICATOR INTRODUCTION



Indicator location

Lighting Mode Indication

Press the button to switch between M1 (red) /M2(green) / M3 (Yellow); after 5 seconds, the indication mode turn to Capacity Indication.

M1: Red Light

300LM 5hrs + 100LM Till dawn

M2: Green Light

200LM Till dawn

M3 Yellow Light

100LM Till dawn

Capacity Indication

Green: $\geq 70\%$

Yellow: 30%~70%

Red: 30%

05 Warranty

SUNDIAL is covered by a 3 year limited warranty. SOLTECH urban light warrants to the original purchaser that this product is free from defects in materials and workmanship for the period of 3 years from date of purchase. To obtain warranty service please contact your local distributor or sales rep for further instruction.

**SOLTECH Designs
and Manufactures
Advanced,
Solar-Powered
LED Technology.**



SOLTECH
Smart Solar Lighting

1460 Park Avenue.
Emeryville, CA 94608 USA
www.soltechlighting.com

SOLTECH LLC reserves the right to update all product data sheets at any time. Consult SOLTECH marketing specialists for publication updates at hello@soltechlighting.com

*Copyright©2022-2023 SOLTECH LLC,
All Rights Reserved.*