



SUNDIAL 3W

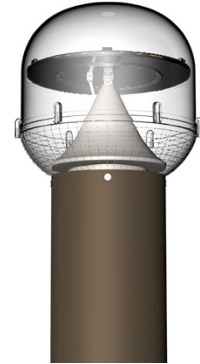
APPLICATIONS

SUNDIAL solar bollard lights are ideal for residential and commercial pathway applications. This bright 3W solar-powered bollard features an integrated solar panel that can track the sunlight and harvest more solar energy. With full brightness all night, bollards provide safety and security to pathways.

DESCRIPTION

SUNDIAL was designed with a smart solar tracking system with a full 360 degree design, which enables the solar panel to adjust the tilt angle automatically, and maximize the intake of solar energy. Compared with conventional solar bollard lights, SUNDIAL increases charging efficiency by at least 50%. The SUNDIAL solar bollard light is a great option for outdoor lighting in multiple applications, including: pedestrian lighting, residential and commercial pathway lighting.

CERTIFICATION DATA



ORDERING INFORMATION

SERIES	WATTAGE	COLOR TEMPERATURE	MOUNTING OPTIONS	SIZE
STL-SDL =SUNDIAL	03=3W 300 Lumens	3=3000K	GR=Ground Mount WM=Wall Mount	13=13 inches 24=24 inches 42=42 inches

- - - -

Example: STL-SDL033GR24

This example product number is for SUNDIAL 3 watt, 3000K CCT, ground mount installation, and 24 inches pole height.

FEATURES & BENEFITS



Smart Solar Tracking System

- Full 360 design to track full solar trajectory
- Smart learning system: predicts and adjusts to ensure optimal lighting performance



Cost Saving

- No trenching, wiring, nor electricity costs
- Simplify landscaping electrical design



Multifunctional & Flexible

- Provides both ground mount and wall mount options, flexible for all environmental conditions
- Three heights to meet various site planning needs
- Ideal for both residential and commercial use. Sustainable for any application

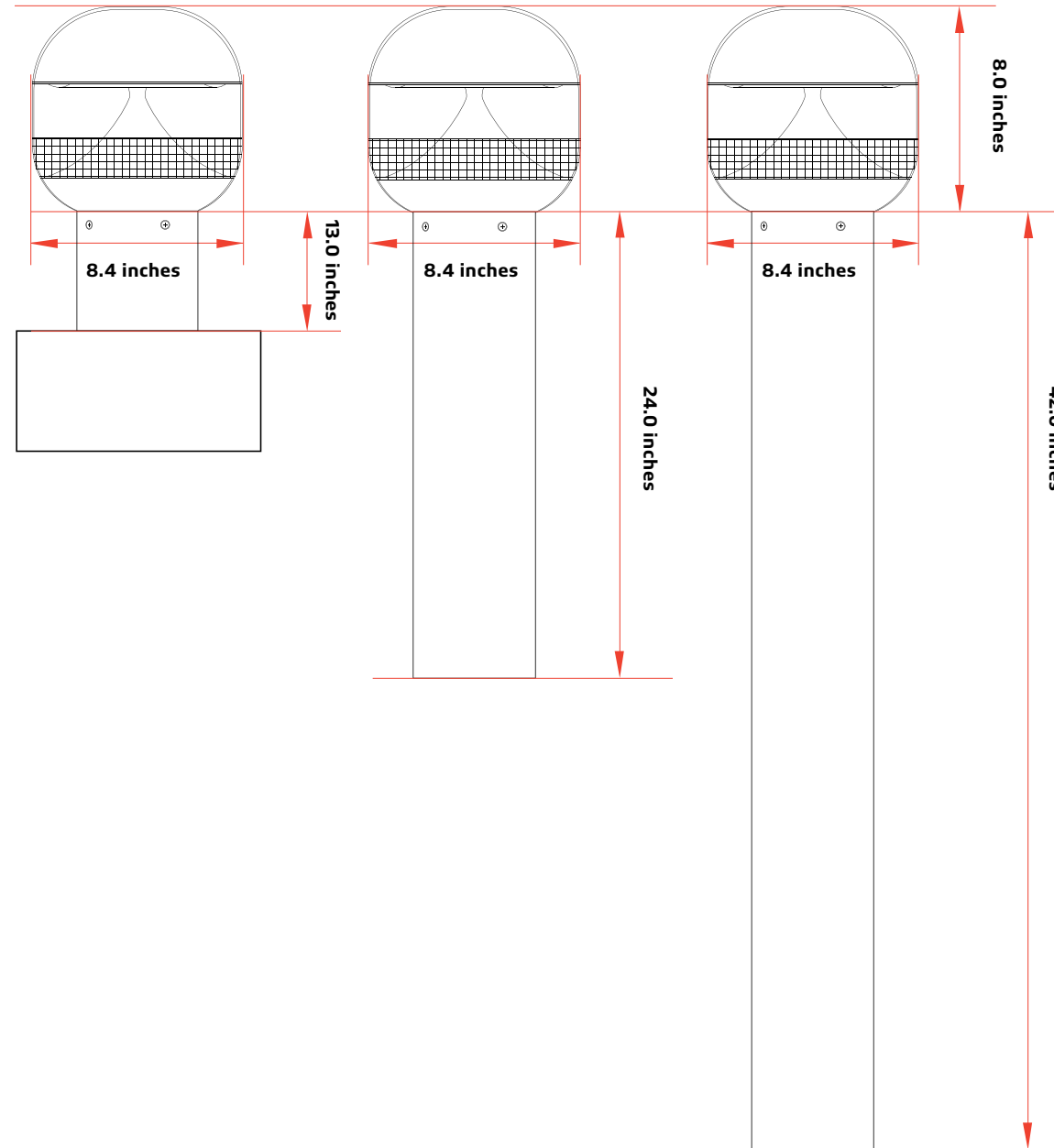


Durable & Dirt Resistant

- Polycarbonate PC protective light cover
- Round shape design minimizes the accumulation of dust and grime on solar panel
- IK10 impact rating on PC cover

CATALOG		COMMENTS
PROJECT		
PREPARED BY		
DATE		

PRODUCT SIZE



CATALOG		COMMENTS
PROJECT		
PREPARED BY		
DATE		

SPECIFICATIONS

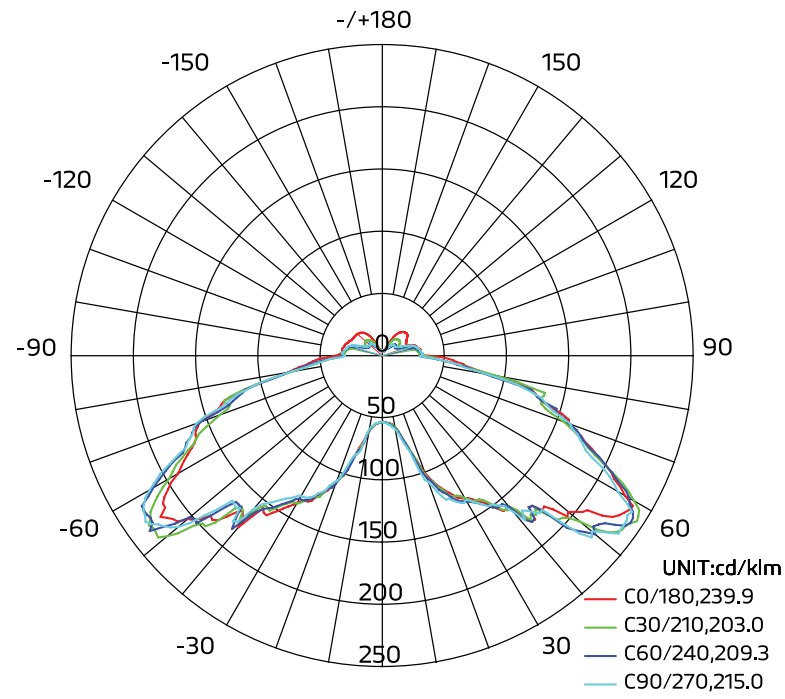
Specifications	SUNDIAL 3W 13"	SUNDIAL 3W 24"	SUNDIAL 3W 42"
LED Nominal Power	3W		
Solar Panel	Mono-Crystalline 4.3V 3W		
Lithium Ion Battery	3.7V 10AH		
CCT	3,000K		
Lumen Output@3000K	300		
CRI	70		
Light Head	8.4 X 8.0 Inches		
Ground Mount	13 Inches	24 Inches	42 Inches
Beam Angle	217°		
IP Rating	IP65		
Casting	PC & Aluminum		
Efficiency@3000K	100 lm/W		
* Charging Time	14hrs (1000W/m ²)		
Run Time (@Full Power)	48 Hrs		
Operation Mode	1 Mode		
* Operating Temperature	-20°C/-4°F to 130°F		
* Charging Temperature	-15°C/5°F to 140°F		

* The temperature can impact the battery's charging and normal operation.

* The solar charge time data is base on 77 degree F ambient temperature with the panel pointed directly at the solar radiation. The standard radiation value is 1000W/m².

CATALOG	PROJECT	COMMENTS
PREPARED BY		
DATE		

Light Distribution

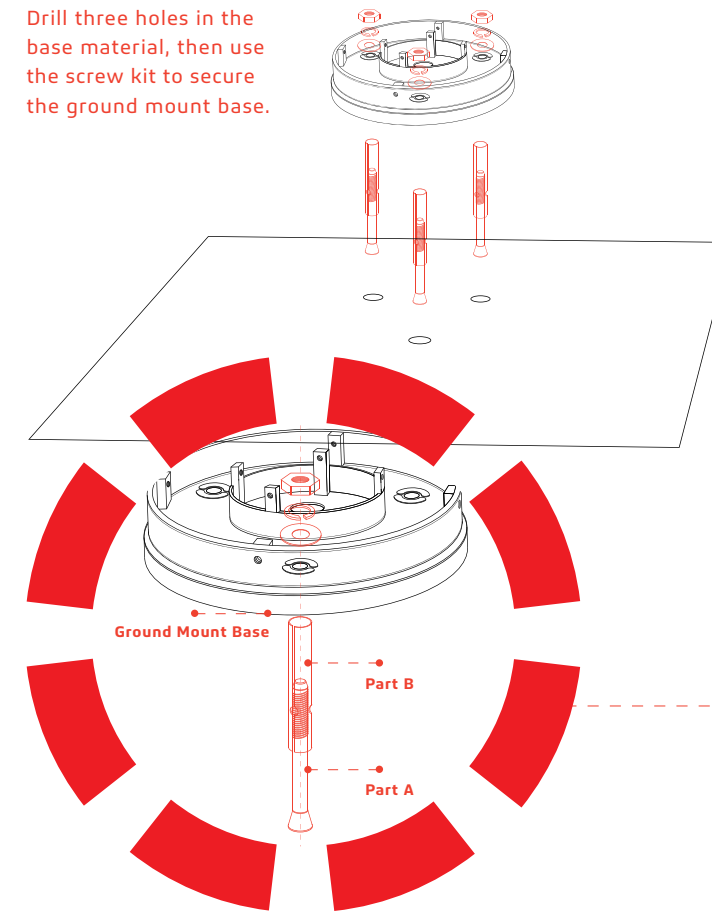


CATALOG	PROJECT	COMMENTS
PREPARED BY		
DATE		

INSTALLATION—GROUND MOUNT

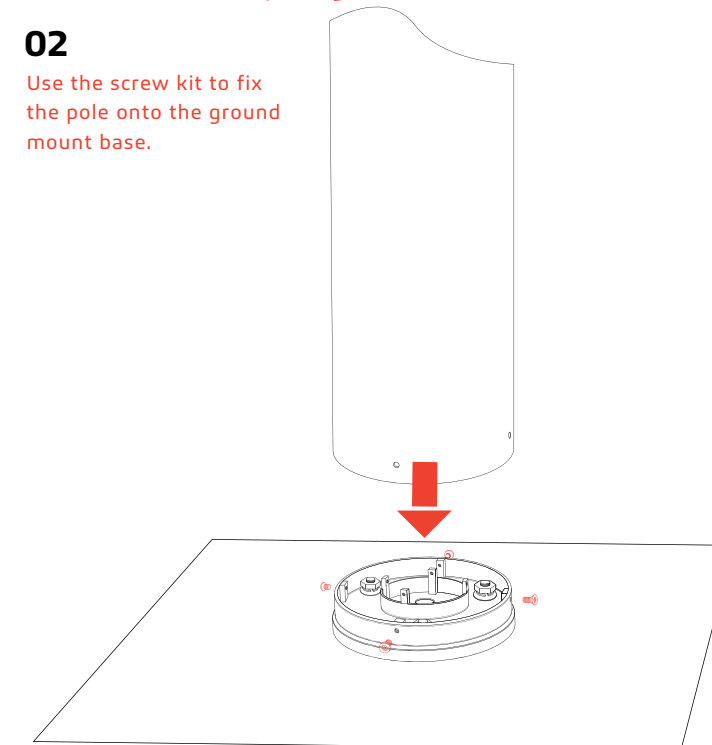
01

Drill three holes in the base material, then use the screw kit to secure the ground mount base.



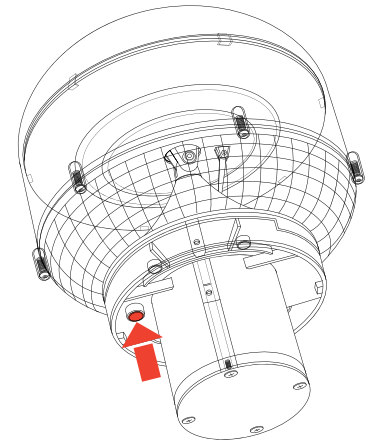
02

Use the screw kit to fix the pole onto the ground mount base.



03

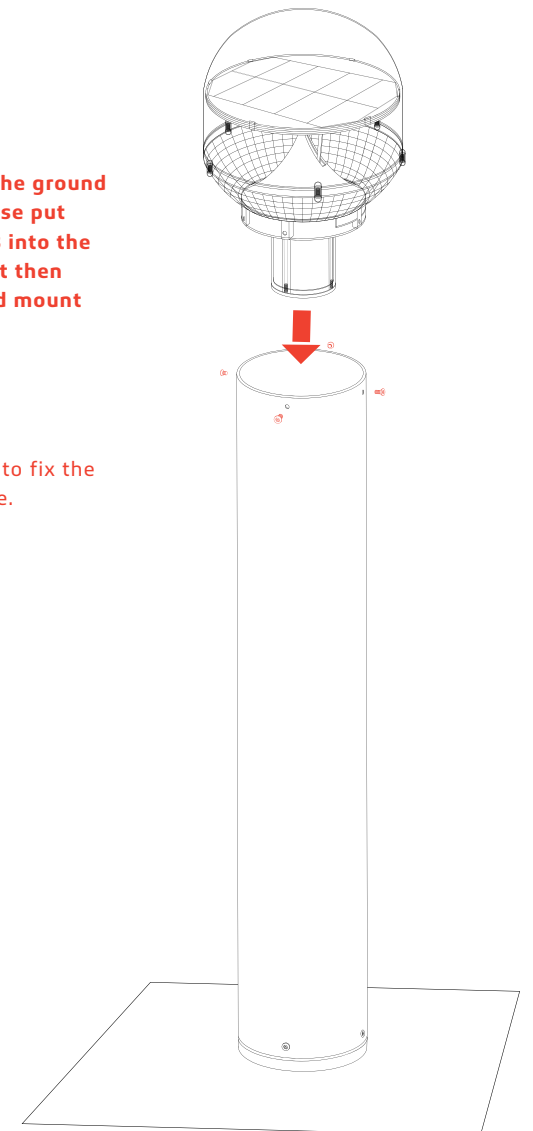
Press the red button on the bottom of the fixture to turn it on.



When installing the ground mount base, please put Part A and Part B into the ground holes first then install the ground mount base on top.

04

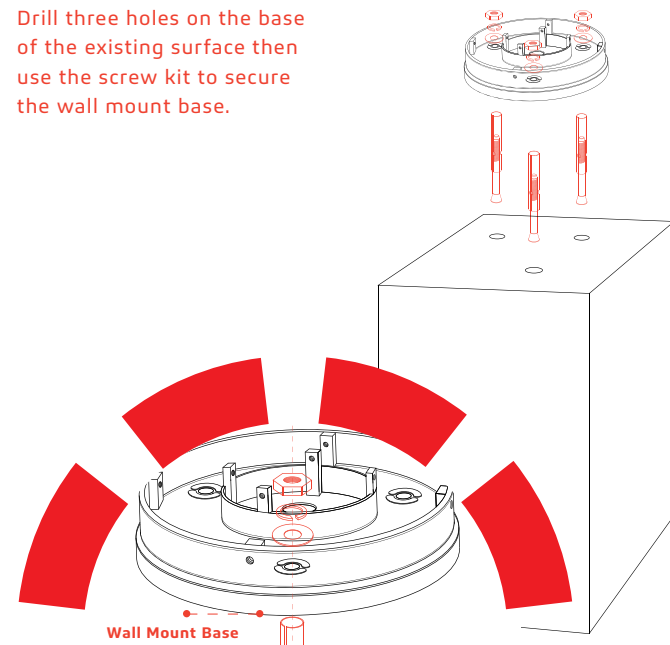
Use the screw kit to fix the light onto the pole.



INSTALLATION—WALL MOUNT

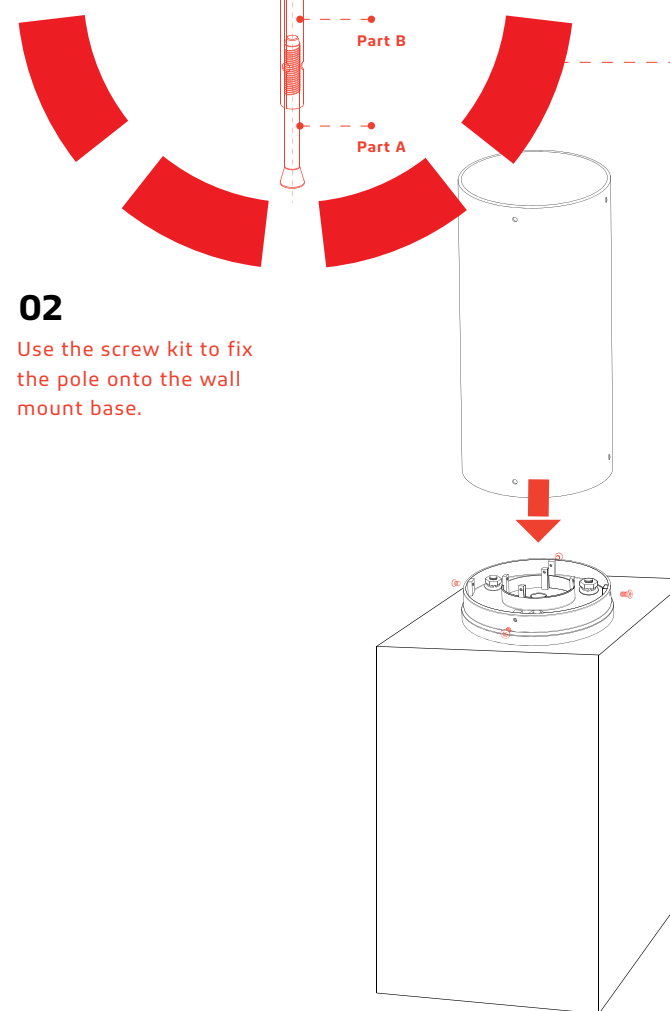
01

Drill three holes on the base of the existing surface then use the screw kit to secure the wall mount base.



02

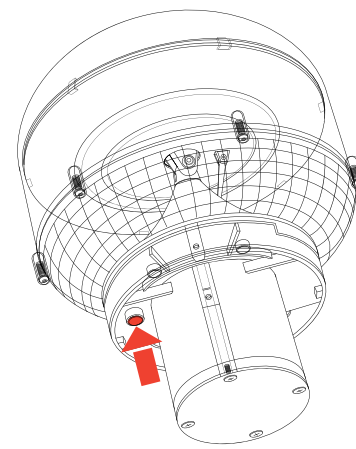
Use the screw kit to fix the pole onto the wall mount base.



CATALOG	PROJECT	COMMENTS

03

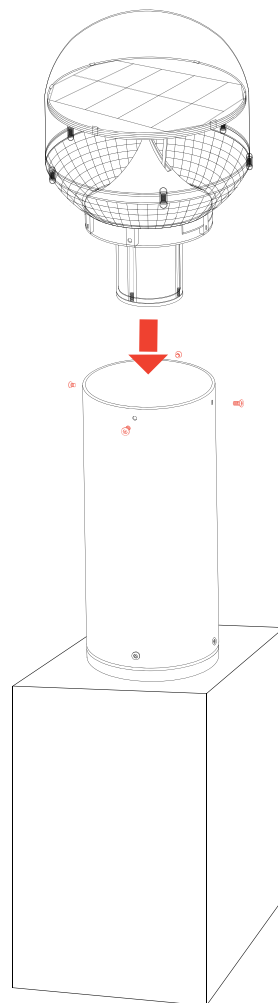
Press the red button on the bottom of the fixture to turn it on.



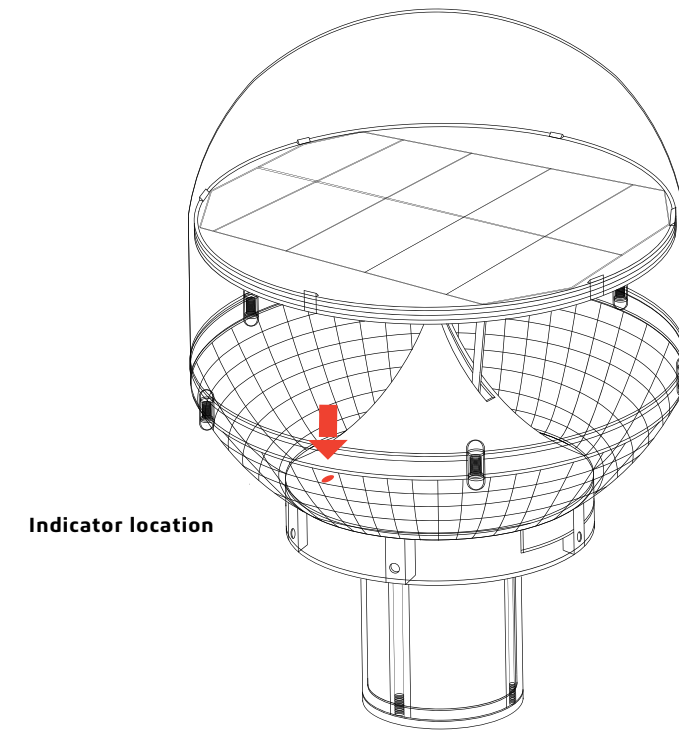
When installing the wall mount base, please put Part A and Part B into the surface holes first then install the wall mount base on top.

04

Use the screw kit to fix the light onto the pole.



INDICATOR INTRODUCTION



CATALOG	PROJECT	COMMENTS

Lighting Mode Indication

Press the button to switch between M1 (red) /M2(green) / M3 (Yellow); after 5 seconds, the indication mode turn to Capacity Indication.

- M1: Red Light**
300LM 5hrs + 100LM Till dawn
- M2: Green Light**
200LM Till dawn
- M3 Yellow Light**
100LM Till dawn

Capacity Indication

- Green: ≥70%**
- Yellow: 30%-70%**
- Red: 30%**



SUNDIAL 3W

SUNDIAL is covered by a 3 year limited warranty. SOLTECH urban light warrants to the original purchaser that this product is free from defects in materials and workmanship for the period of 3 years from date of purchase. To obtain warranty service please contact your local distributor or sales rep for further instruction.

CATALOG		COMMENTS
PROJECT		
PREPARED BY		
DATE		



1460 Park Avenue.
Emeryville, CA 94608 USA

www.soltechlighting.com

SOLTECH LLC reserves the right to update all product data sheets at any time. Consult SOLTECH marketing specialists for publication updates at hello@soltechlighting.com

*Copyright©2022-2023 SOLTECH LLC,
All Rights Reserved.*