



P/N: AST-CLW07E-045WXYA1-abck

Note:

AST= Company name

CLW07E = Product series, LED Corn Light

045W = Rating Power

X = LED manufacturer, B=Lumileds, E=SAMSUNG

Y = Cover type, X=C, for Clear cover;

X=F, for Frosted cover

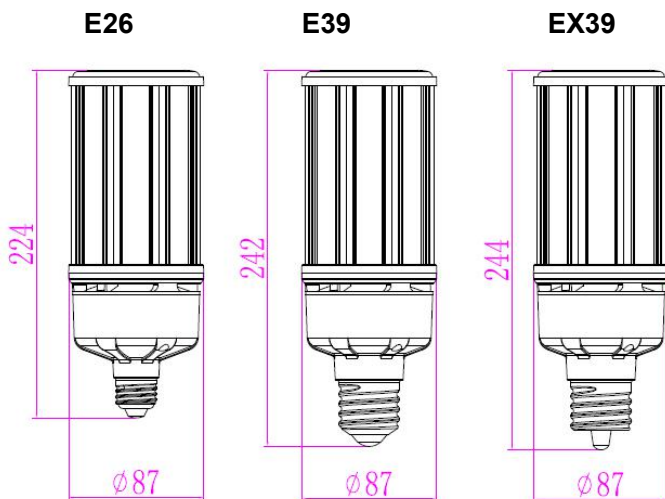
A1 = Version number

a=represent the lamp base type, can be "E" for E39, "EX" for EX39, BLANK for E26,

b=represent the Top cover material, can be "P" or "M", "P" for plastic, "M" for metal.

c=represents CCT, can be two digital.

DIMENSIONS



NOTICE FOR USER

- Please turn off power before install or change assembly parts.
- The input voltage and lamps should be matched, after connecting the power line, Please make sure the wiring section is insulated.
- Make sure to remove or bypass the ballast in the fixtures before install the lamps.
- Suitable for damp locations. Do not use with dimmers.
- Suitable for use in enclosed luminaires, min. lamp compartment dimensions: 400*200*200MM.
- No-professionals, must not install and disassemble the lamps.

ADVANTAGE

- UL cUL certificate.
- E26 E39 EX39 lamp base.
- 360 degree lighting.
- Can be with clear or frosted cover.
- IP65 Waterproof Rating.
- Big heat sink, NO fan.
- Internal driver, input voltage AC100-277V.
- Meet 6KV surge immunity level.
- Sealant pouring for whole driver and lamp plastic housing.
- Long lifespan and good heat dissipation.
- Direct replacement for Metal Halide, easy installation.
- Fits many different fixtures to replace traditional lamps.

APPLICATION

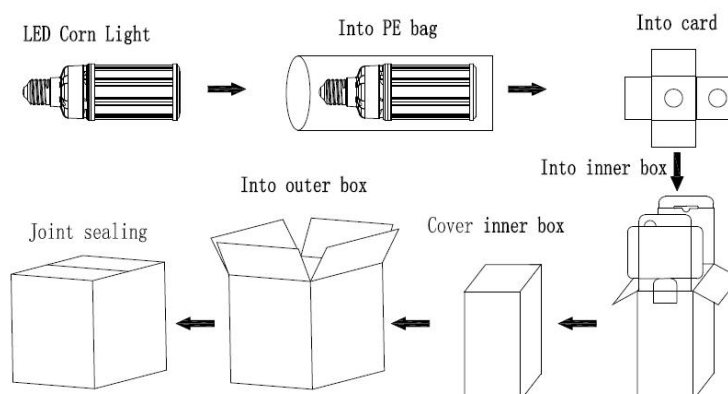
- Widely used in supermarket, warehouse, garage, home, office, hotel, hospital, school, street, garden etc.

SPECIFICATIONS

OPTICAL	Input Power	45W
	Lumen	6075-6525LM (Clear) / 5400-5850LM (Frosted)
	Lumen Efficacy	135-145 LM/W (Clear) / 120-130 LM/W (Frosted)
	Color Temperature	2700-6500K
	CRI	>80
	Viewing Angle	360 Degree
ELECTRICAL	Input Voltage	100-277VAC 50/60Hz
	PF	≥0.9
	THD	≤20%
	Equivalent	100W CFL, 150W MHL/HPS/HID
MATERIALS	LED Brand	Lumileds /SAMSUNG
	LED Type	SMD2835
	LED QTY	135 PCS
	Housing	PC + Aluminum
	Housing Color	Any colour
	Cover	Clear / Frosted
	Waterproof Rating	IP65
OTHERS	Operating Temperature	-40°C TO 45°C
	Operating Humidity	20%-70% RH
	Storage Temperature	-40°C TO 80°C
	Storage Humidity	10%-75% RH
	Warranty Time	5 Years

PACKAGE

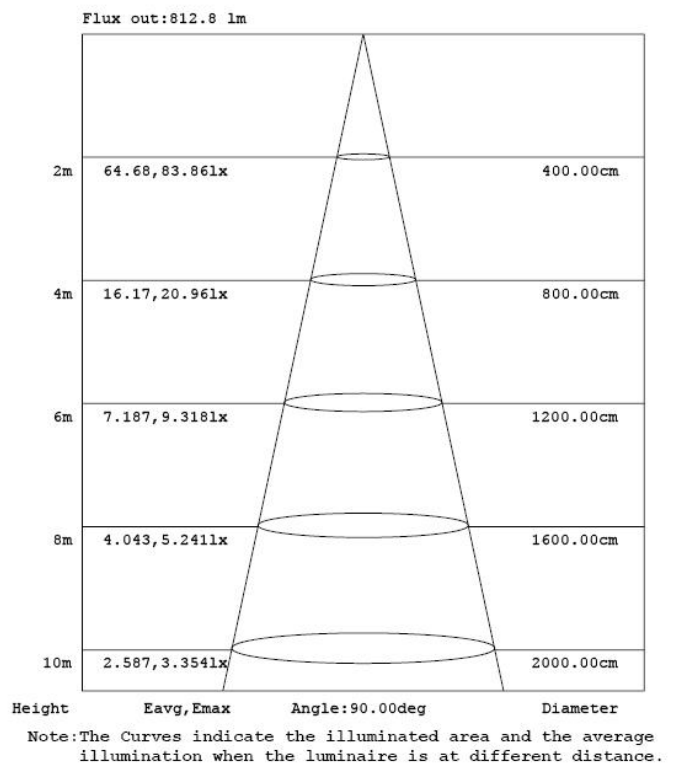
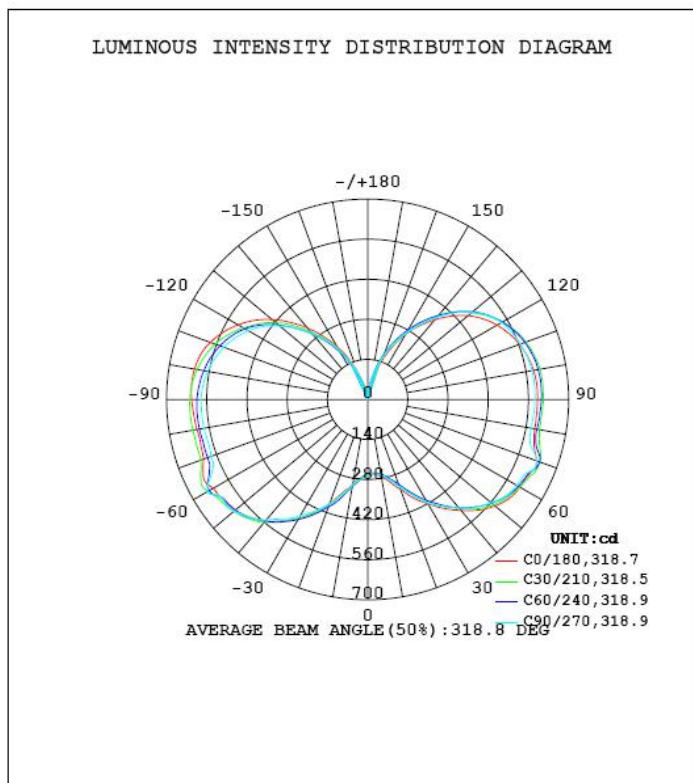
	Size	Qty / Carton	Net Weight / Carton	Gross Weight / Carton
Inner box	270*95*95 MM	1 PC	0.66 KG	0.81 KG
Outer box	400*305*290 MM	12 PCS	8.0 KG	10.7 KG



LIGHT DISTRIBUTION TESTING PARAMETERS

Remark: The testing data comes directly from the product test.

DATA OF LAMP		PHOTOMETRIC DATA Eff: 141.92 lm/W			
MODEL		I _{max} (cd)	665.5	S/MH(C0/180)	2.66
NOMINAL POWER (W)	45	LOR (%)	100.0	S/MH(C90/270)	2.66
RATED VOLTAGE (V)	120	TOTAL FLUX (lm)	6327.6	η UP, DN(C0-180)	23.1, 27.3
NOMINAL FLUX (lm)	6327.56	CIE CLASS	DIFFUSE	η UP, DN(C180-360)	21.7, 27.9
LAMPS INSIDE	1	η up (%)	44.8	CIBSE SHR NOM	2.00
TEST VOLTAGE (V)	120	η down (%)	55.2	CIBSE SHR MAX	0.00



TROUBLE SHOOTINGS

Troubles	Check points
Flickering of the light	Turn off the power and turn on again in 3 minutes. If same phenomena occur, then call agencies.
Out of working	Please check the connection.