



P/N:

AST-CLW08E-080WBCZA1-adPcK

Note:

CLW08E= Product series, LED Corn Light

080W = Rating Power

B= LUMILEDS ,LED manufacturer,

C= Cover type, for Clear cover,

Z=Sensor type. "N"for none sensor, "M"for motion sensor, "P"for PIR sensor.

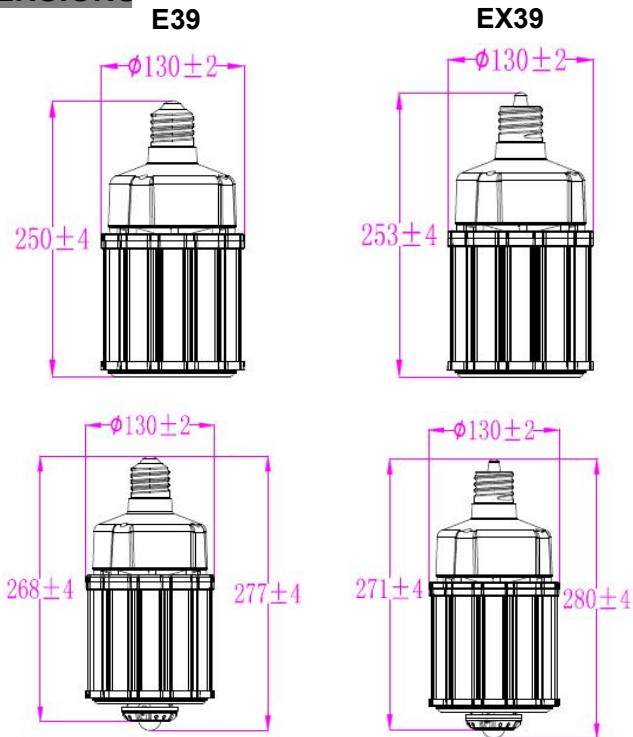
a= represent the lamp base type, can be "E" for E39, "EX" for EX39.

d= dimming type: "L" for Continuous dimming and "S" for Segmented dimmer

P=represent the Top cover material, "P" for plastic material,

cK= represents CCT, can be two digital. 30K=3000K, 35K=3500K,45K=4500K, 50K=5000K, 57K=5700K, 65K=6500K

## DIMENSIONS



## NOTICE FOR USER

- ◆ Please turn off power before install or change assembly parts.
- ◆ The input voltage and lamps should be matched, after connecting the power line, Please make sure the wiring section is insulated.
- ◆ Make sure to remove or bypass the ballast in the fixtures before install the lamps.
- ◆ Suitable for damp locations. Do not use with dimmers.
- ◆ Suitable for use in enclosed luminaires, min. lamp compartment dimensions: 420\*230\*230MM.
- ◆ No-professionals, must not install and disassemble the lamps.

## ADVANTAGE

- UL cUL DLC-V5.1(Standard)certificate
- Continuous resistance with dimming function..
- Big heat sink, NO fan.
- Internal driver, input voltage AC100-277V.
- Meet 6KV surge immunity level
- Two dimming options are available, continuous dimming or segmented dimmer
- Both microwave and PIR sensors are available.
- Continuous resistance with dimming (lamp body) function and 0-10v dimming (sensor) function.

## APPLICATION

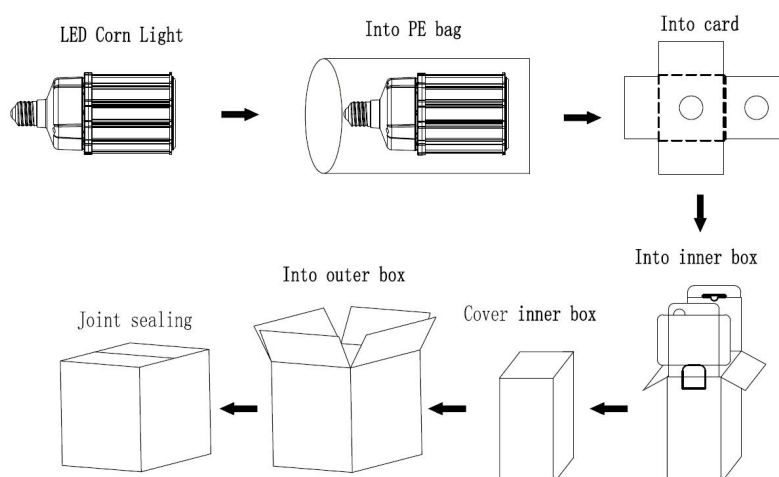
- Replacement Lamps for High Bay Luminaires (Type B)

## SPECIFICATIONS

<b>OPTICAL</b>	Input Power (Tolerance : ±10%)	80W (Wattage adjustable W=80W/63W/54W)						
	Color Temperature	3000K	3500K	4000K	4500K	5000K	5700K	6500K
	Lumen (Tolerance : -10%)-In Luminaires	9389LM	9542LM	9695LM	9826LM	9956LM	10087LM	10458LM
	Efficacy (Tolerance : -3%)-In Luminaires	122LM/W	123LM/W	125LM/W	126LM/W	128LM/W	130LM/W	134LM/W
	CRI	>80						
	Color Consistency	6 Steps (or <6 SDCM)						
	Diffuser Type	Clear / Frosted						
	Beam Angle (50%) (Tolerance : ±25%)	141 Degree						
<b>ELECTRICAL</b>	Input Voltage and Frequency	100-277VAC 50/60Hz						
	PF (Tolerance : -3%)	≥0.9						
	THD (Tolerance : +5%)	≤20%						
	Flicker Percent	<5%						
	Driver Surge protection	L-N:6kV						
	Dimmable	YES						
	Equivalent	150W CFL, 250W MHL/HPS/HID						
<b>MATERIALS</b>	LED Brand	Lumileds						
	LED Type	SMD2835						
	LED QTY	350 PCS						
	Housing	PC + Aluminum						
	Housing Color	Any colour						
	Waterproof Rating	IP64						
<b>OTHERS</b>	Operating Temperature	-40℃ TO 50℃						
	Storage Temperature	-40℃ TO 80℃						
	Operating Humidity	20%-70% RH						
	Storage Humidity	10%-75% RH						
	Warranty	5 years.						

## PACKAGE

	Size	Qty / Carton	Net Weight / Carton	Gross Weight / Carton
Inner box	135*135*285MM	1 PC	1.48 KG	1.6 KG
Outer box	420*285*305MM	6 PCS	8.9 KG	10.6 KG



## LIGHT DISTRIBUTION TESTING PARAMETERS

Remark: The testing data comes from the product in luminaires.

### Luminaire Property

Luminaire Manufacturer:  
 Luminaire Category:  
 Lamp Catalog:  
 Number of Lamps:  
 Luminous Length (mm):  
 Luminous Height (mm):  
 Current: 0.647 A  
 Power Factor: 0.990

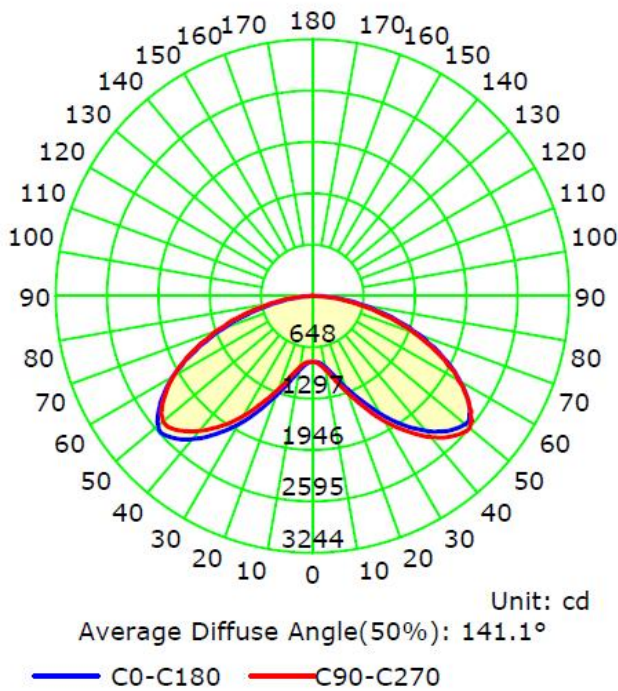
Luminaire Description:  
 Lamp Description:  
 Lumens per Lamp:  
 Luminous Width (mm):  
 Voltage: 120.0 V  
 Power: 76.88 W

### Photometric Results

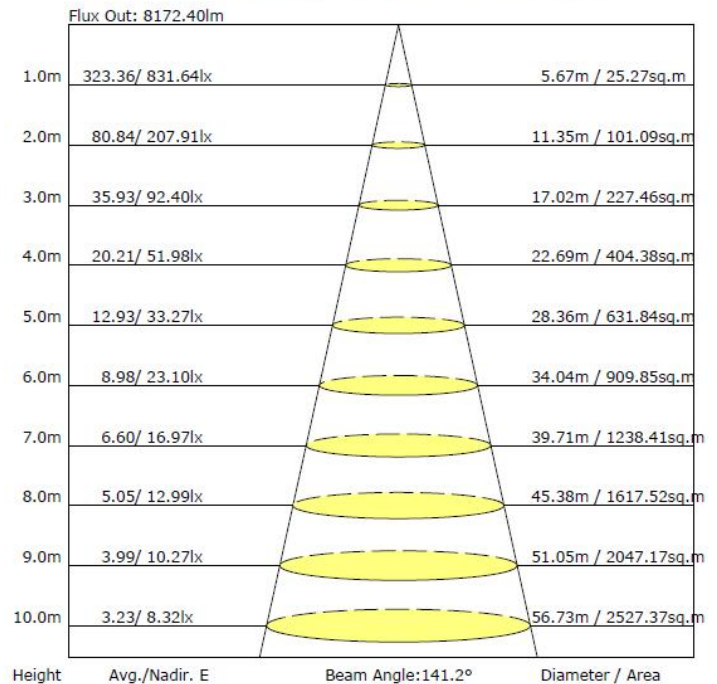
CIE Class: Direct  
 Measurement Flux: 9389.8 lm  
 Downward Ratio: 99%  
 Field Angle(C0/C180,C90/C270,C45/C225,C135/315): 169.1, 169.0, 169.7, 168.5  
 Beam Angle(C0/C180,C90/C270,C45/C225,C135/315): 141.2, 141.0, 141.7, 141.0  
 Luminaire Efficacy Rating (LER): 122.19  
 Max. Intensity: 2595.94 cd  
 S/MH(C0/C180): 2.94

Total Rated Lamp Lumens: 9389.8 lm  
 Efficiency: 100%  
 Upward Ratio: 1%  
 C0r0 Intensity: 831.64 cd  
 Pos of Max. Intensity: H90 V50  
 S/MH(C90/C270): 2.94

Luminous Intensity Distribution Curve



The Average Illuminance Effective Figure



## TROUBLE SHOOTINGS

Troubles	Check points
Flickering of the light	Turn off the power and turn on again in 3 minutes. If same phenomena occur, then call agencies.
Out of working	Please check the connection.