



P/N: AST-CLW08E-063WXYA1-adcK

Note:

CLW08E= Product series, LED Corn Light

063W = Rating Power

X = LED manufacturer, B= LUMILEDS

Y = Cover type, X=C, for Clear cover;

X=F, for Frosted cover

a= represent the lamp base type, can be "E" for E39, "EX" for EX39, BLANK for E26.

d= dimming type: "L" for Continuous dimming and "S" for Segmented dimmer

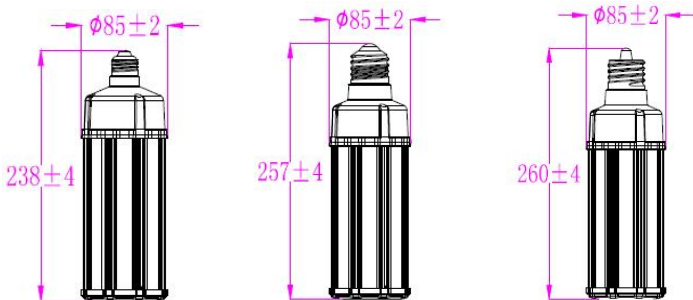
cK= represents CCT, can be two digital. 30K=3000K, 35K=3500K, 45K=4500K, 50K=5000K, 57K=5700K, 65K=6500K.

## DIMENSIONS

E26

E39

EX39



## ADVANTAGE

- UL cUL certificate.
- E26 E39 EX39 lamp base.
- Can be with clear or frosted cover.
- Big heat sink, NO fan.
- Internal driver, input voltage AC100-277V. 0-10V dimming.
- Meet 4KV surge immunity level.
- Two dimming options are available, continuous dimming or segmented dimmer.
- Long lifespan and good heat dissipation.
- Easy installation.
- Fits many different fixtures to replace traditional lamps.

## NOTICE FOR USER

- Please turn off power before install or change assembly parts.
- The input voltage and lamps should be matched, after connecting the power line, Please make sure the wiring section is insulated.
- Make sure to remove or bypass the ballast in the fixtures before install the lamps.
- Suitable for damp locations. Do not use with dimmers.
- Suitable for use in enclosed luminaires, min. lamp compartment dimensions: 420\*230\*230MM.
- No-professionals, must not install and disassemble the lamps.

## APPLICATION

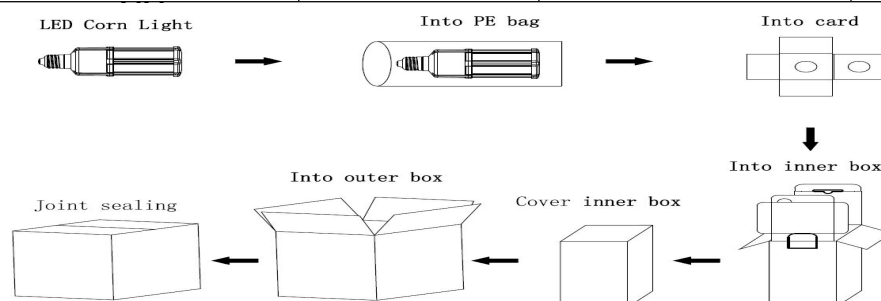
- Widely used in supermarket, warehouse, garage, home, office, hotel, hospital, school, street, garden etc.

## SPECIFICATIONS

<b>OPTICAL</b>	Input Power (Tolerance : ±10%)	63W (Wattage adjustable W=63W/54W/36W)			
	Color Temperature	2700K	3000K	3500K	4000-6500K
	Lumen (Tolerance : -10%)-In Luminaires	8190LM	8820LM	8946LM	9450LM
	Efficacy (Tolerance : -3%)-In Luminaires	130LM/W	140LM/W	142LM/W	150LM/W
	CRI	>80			
	Color Consistency	6 Steps (or <6 SDCM)			
	Diffuser Type	Clear (Optional :Frosted)			
	Viewing Angle	280 Degree			
<b>ELECTRICAL</b>	Input Voltage	100-277VAC 50/60Hz			
	PF	≥0.9			
	THD	≤20%			
	Flicker Percent	<30%			
	Driver Surge protection	L-N: 4kV			
	Dimmable	YES			
	Equivalent	120W CFL, 175W MHL/HPS/HID			
<b>MATERIALS</b>	LED Brand	Lumileds			
	LED Type	SMD2835			
	LED QTY	272 pcs			
	Housing	PC + Aluminum			
	Housing Color	Any colour			
	Waterproof Rating	IP64			
<b>OTHERS</b>	Operating Temperature	-40°C TO 50°C			
	Operating Humidity	20%-70% RH			
	Storage Temperature	-40°C TO 80°C			
	Storage Humidity	10%-75% RH			
	Warranty Time	5 years			

## PACKAGE

	Size	Qty / Carton	Net Weight / Carton	Gross Weight / Carton
Inner box	90*90*295MM	1 PC	0.70KG	0.9 KG
Outer box	380*290*315MM	12 PCS	7.9 KG	11.3 KG



## LIGHT DISTRIBUTION TESTING PARAMETERS

Remark: The testing data comes directly from the product test. < PC Clear >

### Luminaire Property

Luminaire Manufacturer:  
Voltage: 120.3 V  
Power: 64.09 W

Current: 0.540 A  
Power Factor: 0.986

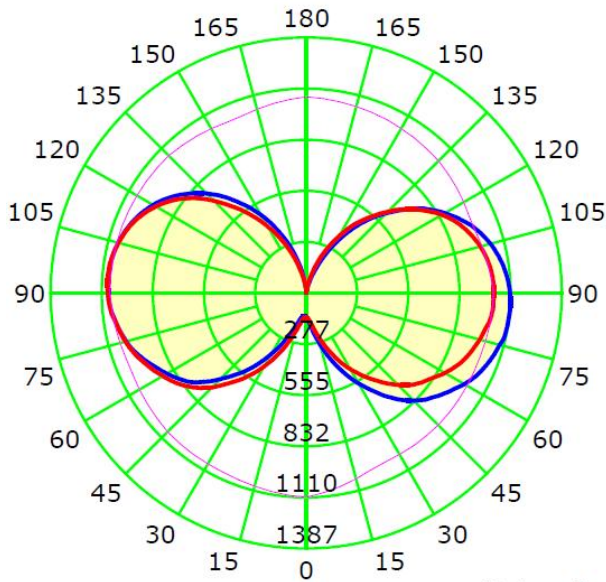
### Photometric Results

CIE Class: General Diffuse  
Measurement Flux: 9915.2 lm  
Downward Ratio: 51%  
Horizontal Diffuse Angle(50%): H285.6  
Vertical Diffuse Angle(50%): V285.5  
Luminaire Efficacy Rating (LER): 154.76  
Max. Intensity: 1110.32 cd  
S/MH(C0/C180): 4.51

Total Rated Lamp Lumens: 9915.2 lm  
Efficiency: 100%  
Upward Ratio: 49%

Central Intensity: 131.8 cd  
Pos of Max. Intensity: H0 V85  
S/MH(C90/C270): 4.41

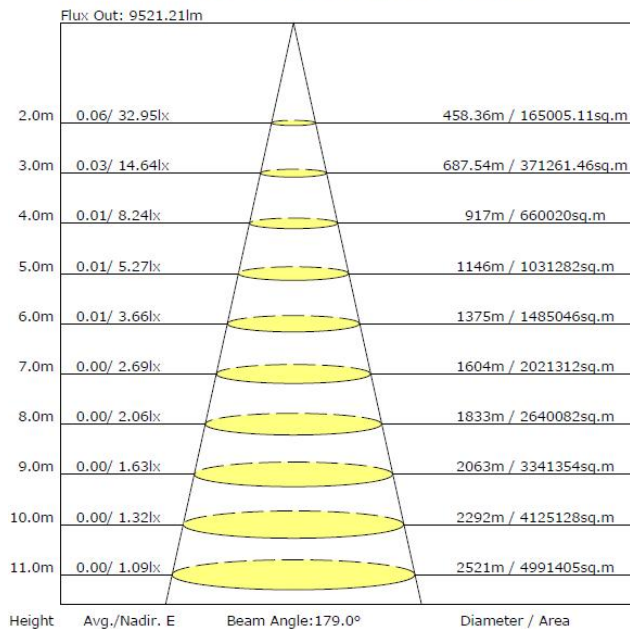
Luminous Intensity Distribution Curve



Average Diffuse Angle(50%): 284.2°

— C0-C180 — C90-C270 — G85

The Average Illuminance Effective Figure



## TROUBLE SHOOTINGS

Troubles	Check points
Flickering of the light	Turn off the power and turn on again in 3 minutes. If same phenomena occur, then call agencies.
Out of working	Please check the connection.