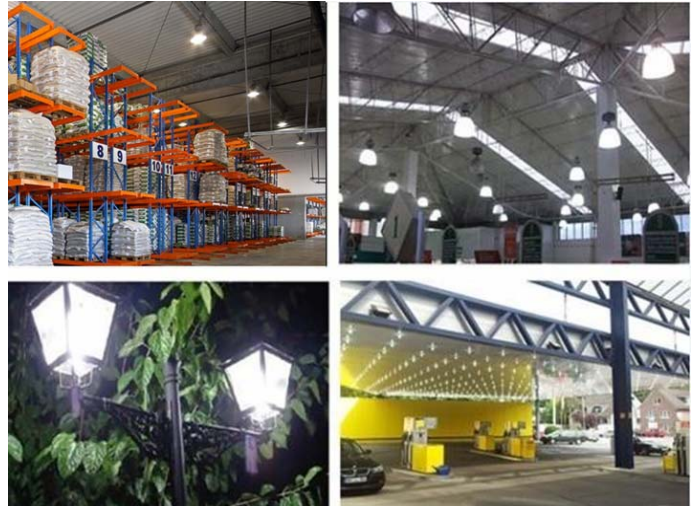


**NAME:** LED Corn Light

**P/N:** SNC-CLW-30WB1E26 / SNC-CLW-30WB1E39

## Advantage

- UL、CUL certificate
- E26、E39 lamp base
- Warm / Natural / Cool / Cold white
- 360 degree lighting, high CRI.
- IP64 Waterproof Rating
- Big heat sink
- Can be with clear or frosted cover.
- Internal driver, input voltage AC100-277V.
- New style and high efficient wide-range input.
- Long lifespan and good heat dissipation.
- Direct replacement for Metal Halide, Easy Installation.
- Fits many different fixtures to replace traditional lamps.



## Application

Widely used in supermarket, warehouse, garage, home, office, hotel, hospital, school, street, garden etc.

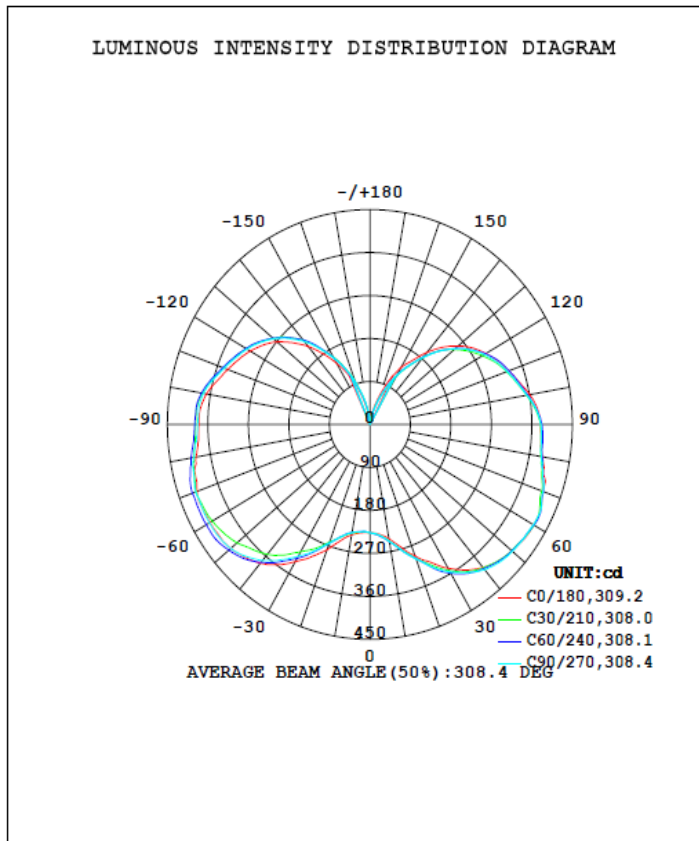
# TECHNICAL DATA SHEET

PRODUCT SPECIFICATIONS		
Product name	LED Corn Light	
Light Type	Corn Light	
Part No	SNC-CLW-30WB1E26	SNC-CLW-30WB1E39
Dimension	Φ93*210 MM	Φ93*230 MM
Technical Characteristic		
Cover	Clear	Frosted
Color temperature	2700-6500K	
CRI	> 80	
Lumen	3600-3900 LM	3000-3300 LM
Lumen Efficacy	120-130 LM/W	100-110 LM/W
Input Power	30 W	
Viewing Angle	360 degree	
Input Voltage	AC100-277V 50/60Hz	
PFC	>0.9	
Equivalent	60W CFL , 100W MHL/HPS/HID	
Waterproof Rating	IP64	
MATERIALS		
LED Brand	EPISTAR	
LED Type	SMD2835	
LED QTY	228 PCS	
Housing	PC+AL (Fin)	
Housing color	White+Grey	
OTHERS		
Operating Temperature	-20°C TO 45°C	
Operating Humidity	20%-70% RH	
Storage Temperature	-30°C TO 80°C	
Storage Humidity	10%-75% RH	
Application	Indoor/Outdoor	
Safety Certification	UL, CUL	
Warranty Time	5 Years	

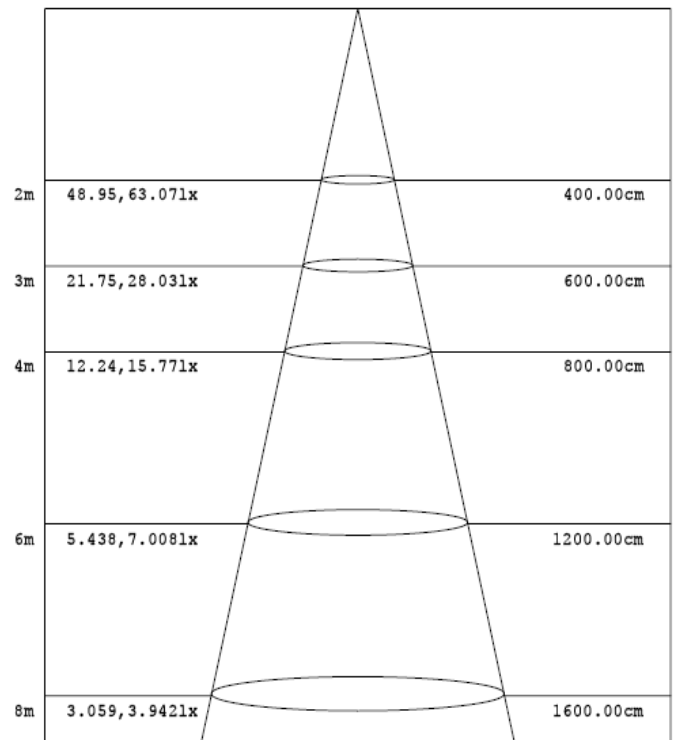
# TECHNICAL DATA SHEET

Remark: The testing data comes directly from the product test.

DATA OF LAMP		PHOTOMETRIC DATA    Eff: 135.77 lm/W			
MODEL		I <sub>max</sub> (cd)	424.4	S/MH (C0/180)	2.31
NOMINAL POWER (W)	30	LOR (%)	100.0	S/MH (C90/270)	2.31
RATED VOLTAGE (V)	120	TOTAL FLUX (lm)	4129.8	η UP, DN (C0-180)	20.1, 29.4
NOMINAL FLUX (lm)	4129.84	CIE CLASS	DIFFUSE	η UP, DN (C180-360)	21.5, 29.0
LAMPS INSIDE	1	η up (%)	41.6	CIBSE SHR NOM	2.00
TEST VOLTAGE (V)	120	η down (%)	58.4	CIBSE SHR MAX	0.00



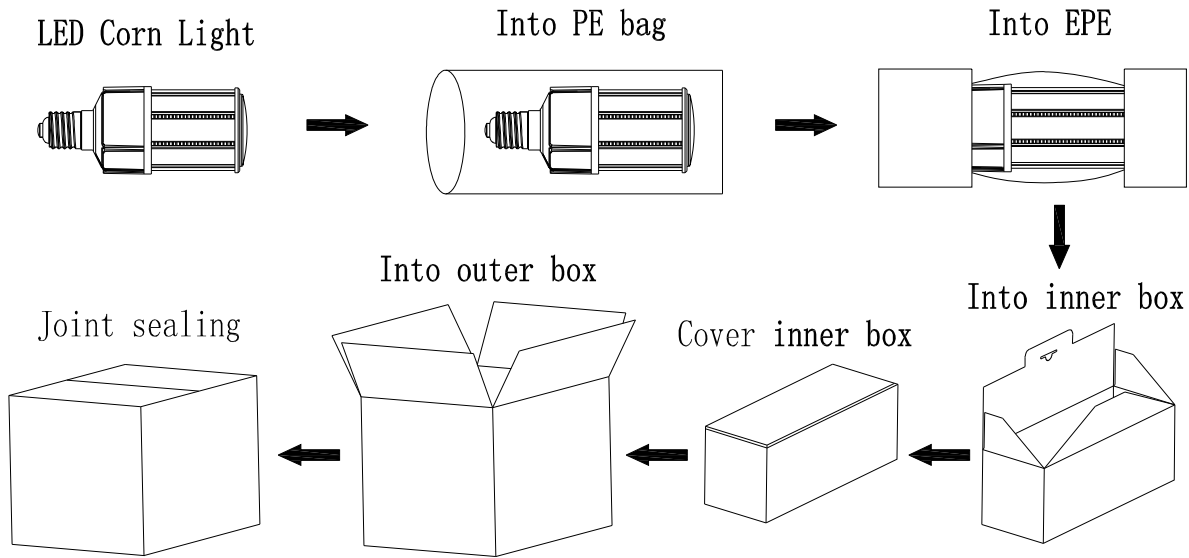
Flux out: 615.1 lm



Note: The Curves indicate the illuminated area and the average illumination when the luminaire is at different distance.

# TECHNICAL DATA SHEET

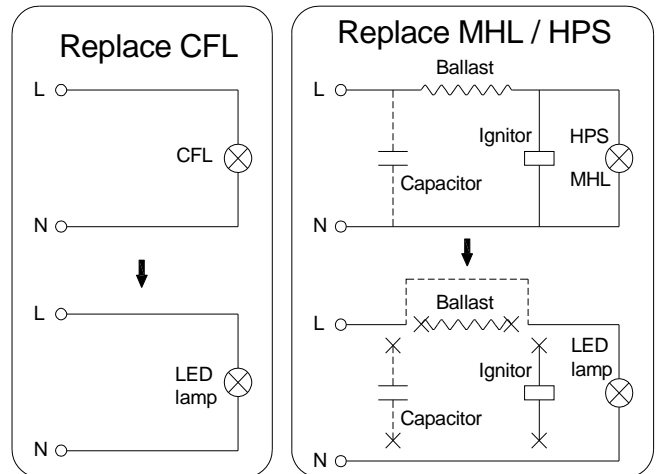
## Package



	Size	Qty/ Carton	Net Weight/ Carton	Gross Weight/ Carton
Inner box	253*120*120 MM	1 PC	0.44 KG	0.59 KG
Outer box	495*380*275 MM	12 PCS	5.3 KG	8.2 KG

## Notice For User

- Please turn off power before install or change assembly parts.
- The input voltage and lamps should be matched, after connecting the power line, please make sure the wiring section is insulated.
- Make sure to remove or bypass the ballast in the fixtures before install the lamps.
- Suitable for damp locations. Do not use with dimmers.
- Suitable for use in enclosed luminaires, min. lamp compartment dimensions: 340\*200\*200MM.
- No-professionals, must not install and disassemble the lamps.



## Trouble Shootings

Troubles	Check points
Flickering of the lamps	Turn off the power and turn on again in 3 minutes. If same phenomena occur, then call agencies
Out of working	Please check the connection