



P/N:

AST-CLW08E-120WBCZA1-adPcK

Note:

CLW08E= Product series, LED Corn Light

120W = Rating Power

B= LUMILEDS ,LED manufacturer,

C= Cover type, for Clear cover,

Z=Sensor type. "N"for none sensor, "M"for motion sensor, "P"for PIR sensor.

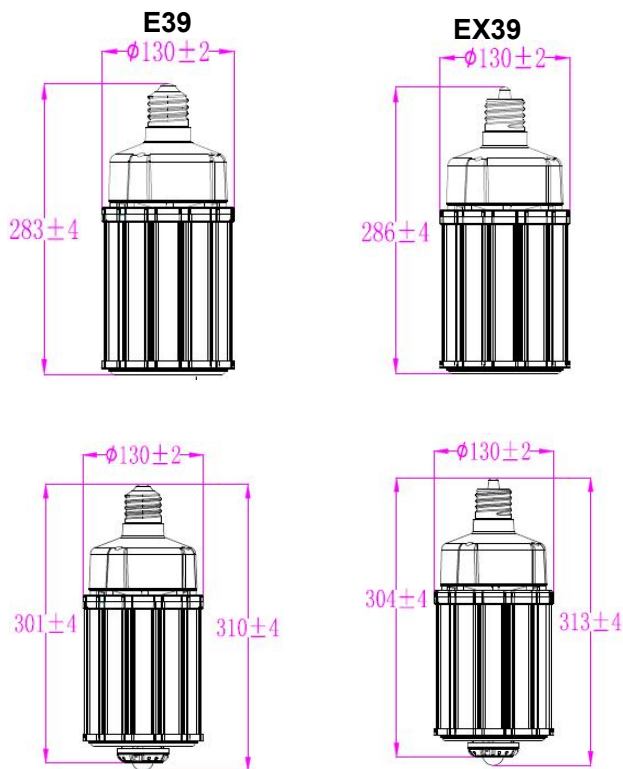
a= represent the lamp base type, can be "E" for E39, "EX" for EX39.

d= dimming type: "L" for Continuous dimming and "S" for Segmented dimmer

P=represent the Top cover material, "P" for plastic material,

cK= represents CCT, can be two digital. 30K=3000K, 35K=3500K,45K=4500K, 50K=5000K, 57K=5700K, 65K=6500K

DIMENSIONS



NOTICE FOR USER

- ◆ Please turn off power before install or change assembly parts.
- ◆ The input voltage and lamps should be matched, after connecting the power line, Please make sure the wiring section is insulated.
- ◆ Make sure to remove or bypass the ballast in the fixtures before install the lamps.
- ◆ Suitable for damp locations. Do not use with dimmers.
- ◆ Suitable for use in enclosed luminaires, min. lamp compartment dimensions: 440*260*260MM.
- ◆ No-professionals, must not install and disassemble the lamps.

ADVANTAGE

- UL cUL DLC-V5.1(Standard)certificate.
- Continuous resistance with dimming function..
- Big heat sink, NO fan.
- Internal driver, input voltage AC100-277V.
- Meet 6KV surge immunity level
- Two dimming options are available, continuous dimming or segmented dimmer
- Both microwave and PIR sensors are available.
- Continuous resistance with dimming (lamp body) function and 0-10v dimming (sensor) function.

APPLICATION

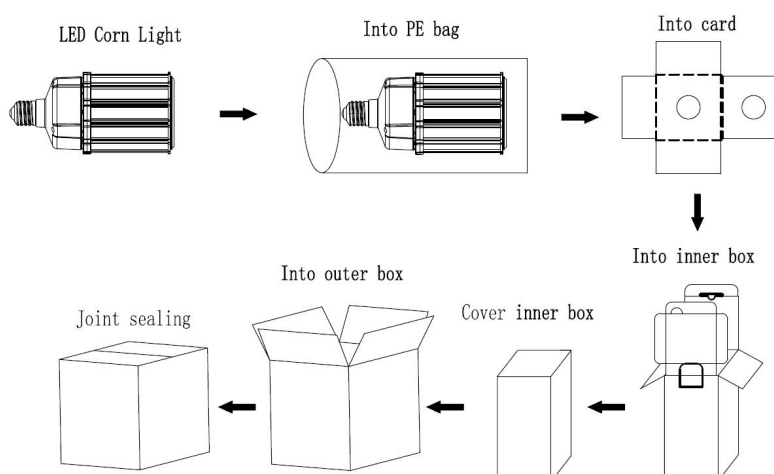
- Replacement Lamps for High Bay Luminaires (Type B)

SPECIFICATIONS

OPTICAL	Input Power (Tolerance : ±10%)	120W (Wattage adjustable W=120W/100W/80W)						
	Color Temperature	3000K	3500K	4000K	4500K	5000K	5700K	6500K
	Lumen (Tolerance : -10%)-In Luminaires	14836LM	15110LM	15385LM	15621LM	15857LM	16092LM	16760LM
	Efficacy (Tolerance : -3%)-In Luminaires	122LM/W	124LM/W	126LM/W	128LM/W	130LM/W	132LM/W	137LM/W
	CRI	>80						
	Color Consistency	6 Steps (or <6SDCM)						
	Diffuser Type	Clear						
Beam Angle (50%) (Tolerance : ±25%)	150Degree							
ELECTRICAL	Input Voltage and Frequency	100-277VAC 50/60Hz						
	PF (Tolerance : -3%)	≥0.9						
	THD (Tolerance : +5%)	≤20%						
	Flicker Percent	<5%						
	Driver Surge protection	L-N:6kV						
	Dimmable	YES						
	Equivalent	200W CFL, 400W MHL/HPS/HID						
MATERIALS	LED Brand	Lumileds						
	LED Type	SMD2835						
	LED QTY	494 PCS						
	Housing	PC + Aluminum						
	Housing Color	Any colour						
	Waterproof Rating	IP64						
OTHERS	Operating Temperature	-40℃ TO 50℃						
	Storage Temperature	-40℃ TO 80℃						
	Operating Humidity	20%-70% RH						
	Storage Humidity	10%-75% RH						
	Warranty	5 years						

PACKAGE

	Size	Qty / Carton	Net Weight / Carton	Gross Weight / Carton
Inner box	135*135*315MM	1 PC	1.55 KG	1.65 KG
Outer box	420*285*335MM	6 PCS	9.3KG	10.9 KG



LIGHT DISTRIBUTION TESTING PARAMETERS

Remark: The testing data comes from the product in luminaires.

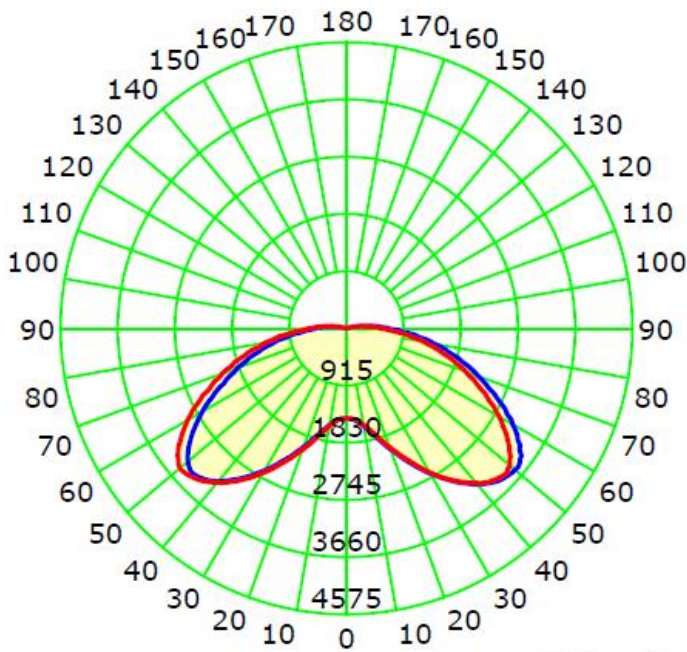
Luminaire Property

Luminaire Manufacturer:	Luminaire Description:
Luminaire Category:	Lamp Description:
Lamp Catalog:	Lumens per Lamp:
Number of Lamps:	Luminous Width (mm):
Luminous Length (mm):	Voltage: 120.0 V
Luminous Height (mm):	Power: 121.21 W
Current: 1.017 A	
Power Factor: 0.993	

Photometric Results

CIE Class: Direct	Total Rated Lamp Lumens: 14835.9 lm
Measurement Flux: 14835.9 lm	Efficiency: 100%
Downward Ratio: 97%	Upward Ratio: 3%
Field Angle(C0/C180,C90/C270,C45/C225,C135/315): 191.3, 191.4, 191.9, 190.7	
Beam Angle(C0/C180,C90/C270,C45/C225,C135/315): 146.9, 148.3, 148.1, 145.7	
Luminaire Efficacy Rating (LER): 122.45	C0r0 Intensity: 1442.33 cd
Max. Intensity: 3660.22 cd	Pos of Max. Intensity: H315 V52
S/MH(C0/C180): 2.66	S/MH(C90/C270): 2.66

Luminous Intensity Distribution Curve

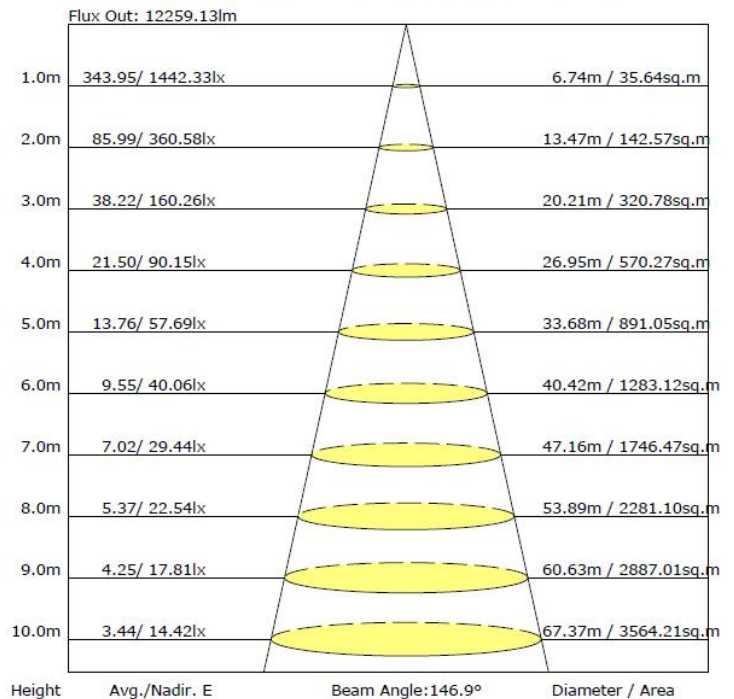


Unit: cd

Average Diffuse Angle(50%): 147.6°

— C0-C180 — C90-C270

The Average Illuminance Effective Figure



Troubles	Check points
Flickering of the light	Turn off the power and turn on again in 3 minutes. If same phenomena occur, then call agencies.
Out of working	Please check the connection.