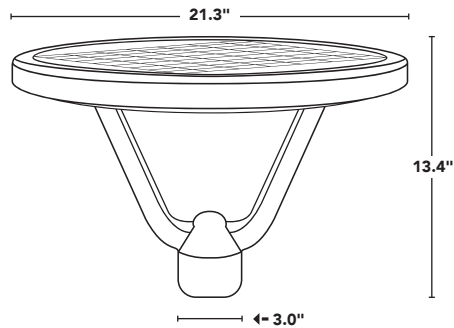




**all-in-one
Design** ↓

All-in-one design with solar panel, light engine and battery built into the fixture. Completely off-grid, no need for wiring or trenching. Easy installation, secure the light to a standard 3" pole w/ supplied screws.

- ▶ Comparable to 150W HID.
- ▶ Perfect for parks, city streets, school campuses and more.
- ▶ Automatically turns on at night and can be set to different operating modes.
- ▶ Constructed from strong and lightweight aluminum alloy.
- ▶ 3.2V/50AH LiFePO4 battery.
- ▶ 165 lumens per watt.
- ▶ MPPT Controller.



BATTERY
CHARGE TIME



BATTERY
CHARGE TEMP



BATTERY LIFE



REPLACEABLE
BATTERY



BEAM ANGLE



OPERATING TEMP



50,000hrs
RATED LIFE

PART #	UPC	COMPARES TO	LUMENS	COLOR	LISTINGS
SL-CPT-25L-30K-BK-G1	844006088385	150W	2500	3000K	CE FC
SL-CPT-25L-40K-BK-G1	844006088392			4000K	

OPERATING MODES |  CONSTANT BRIGHTNESS  TIMER  MOTION SENSING

Light Efficient Design

847.380.3540 • led-llc.com • sales@led-llc.com