

Alphalite

PROJECT NAME

CATALOG NO.

TYPE

DATE

NOTE

HIGH PERFORMANCE LED SURFACE CANOPY

SCL

DESCRIPTION

The SCL - LED Surface Canopy luminaire is a modern and versatile integrated LED solution that delivers long life and energy savings within a low profile design. The rugged housing and dedicated LED design offers advanced thermal management and protection against outdoor and semi-outdoor environments.

APPLICATION

The SCL solution is ideal for walkways, parking structures, drive-thrus, cold storage, garages, outdoor aisles, and walk in coolers.

SPECIFICATION FEATURES

Construction

Rugged die-cast aluminum housing withstands outdoor environments. Outer surface treated with durable powder coating to provide resistance to corrosion, rust, weathering, and UV degradation. Performance-engineered, integral heat dissipation fins provides superior thermal management for long life and reliability.

Electrical

Luminaire utilizes long life, high efficacy LEDs and a highly efficient, reliable LED driver. 120V-277V input voltage for increased versatility. Comes equipped with quick disconnect for compliance with US code.

Mounting

Luminaire mounting designed for standard J-Box. Can be mounted directly to surface. Convenient and easy installation with universal mounting plate.



SCL

Surface Canopy Series

3200 lm, 5600 lm, 7200 lm,
8300 lm, 10200 lm



Optics

Precision-molded lenses provide various photometric distributions depending on application. LED lenses optimize performance and increase delivered light to desired areas.

Finish

Outer surface treated with durable powder coating to provide resistance to corrosion, rust, weathering, and UV degradation.

Certifications / Regulatory

ETL listed. All components have safety approvals.

Warranty

5-year limited warranty. See complete warranty terms for details.

Quick Ship Product

SCL-40/50K

ORDERING INFORMATION

Sample Number: SCL-40/50K

SCL	40	50K	(Blank)	(Blank)	(Blank)
Series SCL - LED Surface Canopy	Nominal Wattage/ Lumen Package 40 - 40W, 3200 lumens 60 - 60W, 5600 lumens 85 - 85W, 7200 lumens 100 - 100W, 8300 lumens 120 - 120W, 10200 lumens	CCT 50K - 5000K	Input Voltage (Blank) - 120V-277V 347 - 347V 480 - 480V	Control Options OS - Integrated step dimming PIR occupancy sensor MMS - Integrated step dimming microwave motion sensor DL - Integrated daylight harvesting	Finish (Blank) - Dark Bronze WT = White

SUMMARY

Input Voltage	120V-277V
Input Frequency	50/50 Hz
Input Power	See energy data for details
Power Factor	> 0.95
THD (Max.)	20%
Efficacy	> 80 LPW
Delivered Lumens	See energy data for details
Controls/Dimming	0-10V dimming, option available.
CRI	> 70
CCT	5000K
Operating Temp.	-40 ~ +50 C

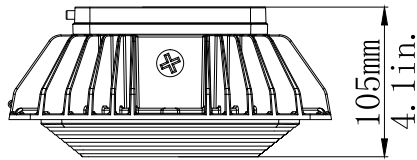
ENERGY PERFORMANCE DATA

Lumen package	Input watts	Lumens	LPW	CCT
SCL-40/50K	40	3200	80.0	5000K
SCL-60/50K	60	5600	93.3	5000K
SCL-85/50K	85	7200	84.7	5000K
SCL-100/50K	100	8300	83.0	5000K
SCL-120/50K	120	10200	85.0	5000K

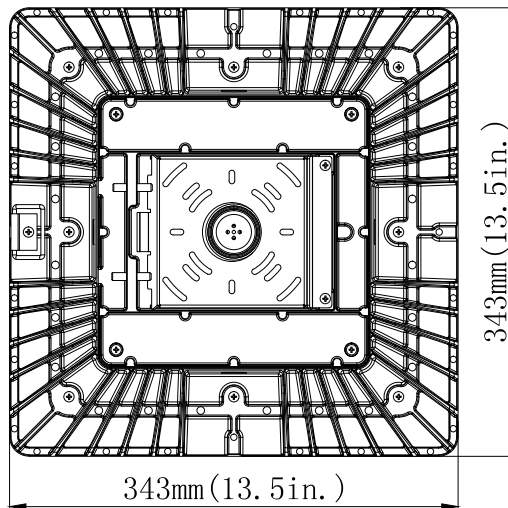
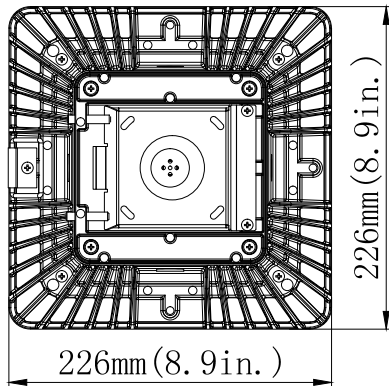
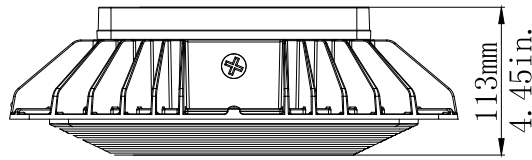
PHYSICAL PARAMETERS

DIMENSION

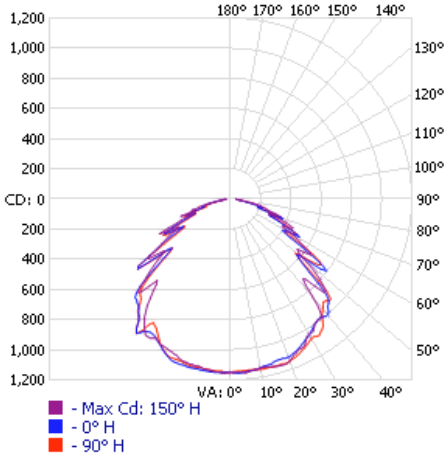
SCL-40, and 60



SCL-85, 100, and 120



SCL-40-5K



Candlepower

ANGEL IN DEG	0	20	40	60	80	90	110	130	150	170	180	200	220	240	260	280	300	320	340	360
0	1150	1150	1150	1150	1150	1150	1150	1150	1150	1150	1150	1150	1150	1150	1150	1150	1150	1150	1150	1150
5	1151	1154	1156	1155	1149	1145	1145	1144	1142	1144	1149	1154	1154	1153	1154	1158	1153	1152	1155	1156
10	1136	1139	1140	1139	1142	1136	1141	1144	1149	1147	1145	1142	1137	1133	1137	1138	1140	1142	1151	1152
15	1116	1126	1136	1139	1147	1148	1147	1137	1150	1149	1155	1154	1151	1144	1143	1149	1150	1149	1148	1142
20	1117	1116	1121	1119	1128	1126	1130	1123	1135	1146	1153	1153	1148	1145	1142	1140	1140	1136	1141	1136
25	1083	1093	1090	1097	1100	1100	1106	1101	1114	1112	1111	1105	1099	1091	1099	1094	1098	1097	1084	1087
30	1041	1039	1026	1022	1042	1041	1046	1046	1055	1069	1062	1047	1044	1048	1051	1036	1046	1067	1034	1017
35	994	950	1046	1102	1099	1079	1081	1016	974	1056	952	1001	1023	1010	1017	991	958	969	1088	968
40	1002	1004	864	791	784	769	804	903	977	951	966	948	858	782	790	837	927	905	947	952
45	895	751	728	909	965	946	874	776	737	936	797	733	885	899	922	875	724	745	885	713
50	572	951	731	626	609	610	667	786	891	561	907	778	689	645	650	681	752	842	508	919
55	675	525	629	630	619	620	641	649	502	721	557	564	642	650	670	645	561	498	653	481
60	411	621	461	448	414	419	455	474	568	423	788	493	469	440	443	474	472	561	361	658
65	354	363	483	485	428	424	502	469	344	393	354	488	473	428	425	455	446	321	372	343
70	358	299	275	305	355	391	320	285	295	358	354	272	305	335	351	268	300	321	311	351
75	217	242	229	227	222	218	269	246	252	223	219	231	250	239	229	242	206	205	191	195
80	98	106	125	134	141	139	135	128	113	111	122	138	134	142	143	142	125	117	97	119
85	41	45	50	49	52	52	51	52	50	47	48	47	46	46	46	46	45	46	43	45
90	37	41	48	49	52	48	46	46	41	35	37	38	37	38	38	37	36	32	32	36

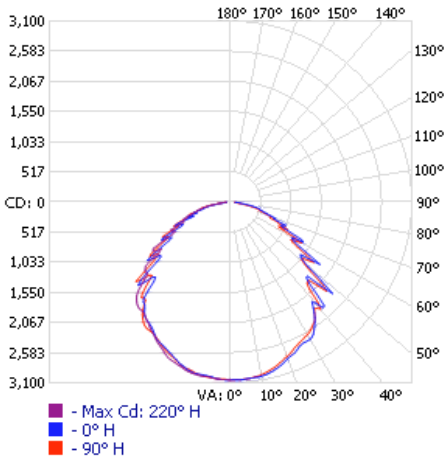
LCS Table

BUG RATING	B0 - UX - G1
FORWARD LIGHT	LUMENS LUMENS %
LOW(0-30):	464.3 11.60%
MEDIUM(30-60):	884.2 22.10%
HIGH(60-80):	311.6 7.80%
VERY HIGH(80-90):	31.3 0.80%
BACK LIGHT	
LOW(0-30):	467.1 11.70%
MEDIUM(30-60):	880.1 22%
HIGH(60-80):	307.9 7.70%
VERY HIGH(80-90):	30.7 0.80%
TRAPPED LIGHT:	623 15.60%

Zonal Lumen Summary

ZONE	LUMENS	% LAMP	% LUMINAIRE
0-30	931.4	23.30%	27.60%
0-40	1,550.50	38.80%	45.90%
0-60	2,695.20	67.40%	79.80%
60-90	681.5	17%	20.20%
0-90	3,376.70	84.40%	100%

SCL-100-5K



Candlepower

ANGEL IN DEG	0	20	40	60	80	90	110	130	150	170	180	200	220	240	260	280	300	320	340	360
0	3050	3050	3050	3050	3050	3050	3050	3050	3050	3050	3050	3050	3050	3050	3050	3050	3050	3050	3050	3050
5	3043	3043	3047	3045	3043	3041	3042	3039	3043	3045	3046	3045	3044	3041	3033	3026	3026	3032	3033	3039
10	3029	3025	3021	3023	3029	3020	3006	2995	2996	3008	3009	3013	3020	3019	3017	3008	2991	2998	3002	2993
15	2967	2956	2980	2981	2969	2970	2970	2953	2935	2926	2917	2928	2946	2953	2940	2942	2943	2947	2952	2935
20	2856	2867	2867	2872	2882	2875	2857	2833	2818	2817	2812	2826	2846	2864	2855	2848	2830	2835	2835	2837
25	2751	2742	2743	2746	2768	2748	2742	2722	2708	2700	2696	2706	2715	2756	2737	2735	2732	2724	2721	2730
30	2717	2719	2680	2607	2593	2609	2629	2636	2650	2624	2625	2620	2630	2596	2577	2611	2631	2629	2611	2619
35	2511	2521	2524	2555	2497	2483	2500	2497	2501	2500	2479	2476	2486	2463	2424	2429	2470	2494	2487	2471
40	2250	2191	2183	2285	2371	2333	2259	2355	2409	2390	2374	2286	2261	2274	2275	2301	2316	2300	2290	2310
45	1831	1843	1986	2228	2031	2180	1937	1826	1885	1905	1855	1811	2067	2054	2107	2092	1847	1817	1823	1849
50	1735	1760	2104	1714	2062	1582	2045	1738	1669	1644	1677	1908	1801	1785	1722	1858	1933	1844	1840	1930
55	1861	1793	1440	1384	1659	1536	1395	1674	1609	1572	1614	1600	1396	1548	1538	1341	1549	1727	1742	1661
60	1217	1169	1121	1134	1193	1339	1241	1232	1372	1398	1325	1131	1098	1196	1434	1228	1103	1178	1213	1150
65	948	898	1012	995	884	1103	896	976	990	1010	1002	997	841	912	1069	968	872	878	903	898
70	808	784	772	689	731	690	673	721	702	722	702	699	652	718	814	661	737	754	776	663
75	528	530	505	490	512	503	504	502	505	513	536	507	488	522	520	554	540	543	562	577
80	333	304	282	269	248	241	246	239	244	237	251	249	250	253	265	284	296	323	345	358
85	119	113	109	105	99	102	100	96	97	94	97	95	94	94	92	92	93	100	101	110
90	76	77	69	61	55	61	66	68	80	73	75	69	59	56	57	68	76	83	78	76

LCS Table

BUG RATING	B0 - UX - G1
FORWARD LIGHT	LUMENS LUMENS %
LOW(0-30):	1,197.50 15.10%
MEDIUM(30-60):	2,284.70 28.80%
HIGH(60-80):	796.7 10.10%
VERY HIGH(80-90):	79.8 1%
BACK LIGHT	
LOW(0-30):	1,191.50 15%
MEDIUM(30-60):	2,268.00 28.60%
HIGH(60-80):	795.5 10%
VERY HIGH(80-90):	78.7 1%
TRAPPED LIGHT:	0 0%

Zonal Lumen Summary

ZONE	LUMENS	% LAMP	% LUMINAIRE
0-30	2,389.00	30.20%	27.50%
0-40	3,950.80	49.90%	45.50%
0-60	6,940.80	87.60%	79.90%
60-90	1,750.80	22.10%	20.10%
0-90	8,691.60	109.70%	100%

