



SATELIS 50W 75W

APPLICATIONS

This commercial-grade series is ideal for highways, city streets, large parking lots and area lighting. It comes with a wide choice of configurations, lumen outputs, pole heights, and it's optimized for high efficiency and

DESCRIPTION

SATELIS meets the lighting requirements for major roads and highways. Equipped with more powerful solar panels and higher capacity lithium battery packs to ensure battery run time, Satelis is the spec-grade LED solar lighting solution for most commercial applications.

| | | |
|-------------|--|----------|
| CATALOG | | COMMENTS |
| PROJECT | | |
| PREPARED BY | | |
| DATE | | |

CERTIFICATION DATA



ORDERING INFORMATION

| SERIES | WATTAGE | COLOR TEMPERATURE | MOUNTING OPTIONS | FINISH | BATTERY CAPACITY |
|----------------|--|-------------------|------------------|----------------------|--|
| STLSTD=SATELIS | 50=50W 10000 Lumens 75=75W 15000 Lumens | 3=3000K | SF=Slip Fitter | GY=Gray BR=Bronze | 30=30AH <i>(only for SATELIS 50W)</i> |
| | | 4=4000K | | | 60=60AH |
| | | 5=5000K | | | 90=90AH <i>(only for SATELIS 75W)</i> |
| | | 6=5700K | | | |

- - - - -

SPECIFICATION FEATURES



Powerful Panel & Powerful Lighting

- 2*130W Dual Panels and 2*75W Dual lighting head option
- 15,000LM at 200 LM/W highest efficiency in the industry
- Remote control included with one-button mode settings



Longer Life & Heavy Duty

- Grade A LifePO₄ Battery Pack up to 25V*90AH, 2000+ full Charging Cycles
- LEVEL 12 Wind Test



Modular & Customizable Concept

- Modular battery box with fast hooking design and IP68 underground options
- Top mounting or under mounting panel options
- Reduce the construction time for building projects
- TYPE III distribution comes standard. TYPE II and TYPE V are also available.



Standardized Lighting Design

- Illumination where you need it with scheduled dimming
- Meets IES standards for road illumination
- Solar clean energy solution that also meets street and area light compliances

SATELIS 50W 75W

| CATALOG | | COMMENTS |
|-------------|--|----------|
| PROJECT | | |
| PREPARED BY | | |
| DATE | | |

PRODUCT SIZE

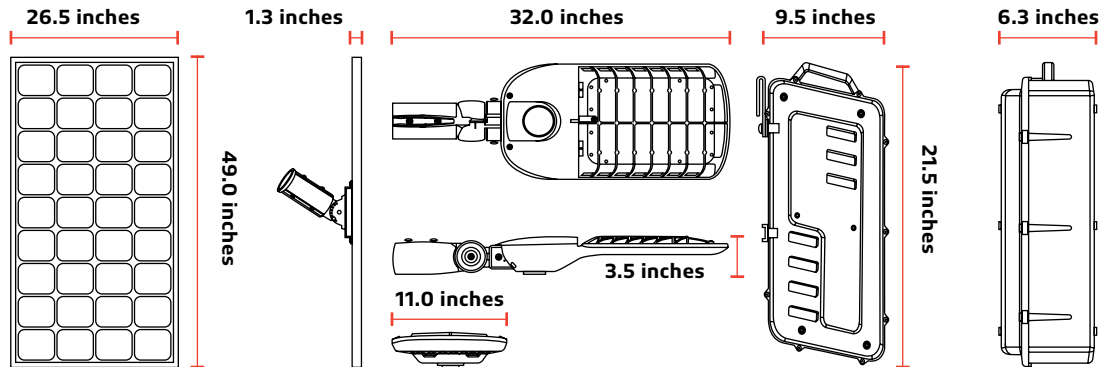
SATELIS 50W

25V 30AH

- SOLAR PANEL:** 21.1 Lbs
- SOLAR LAMP:** 13.5 Lbs
- BATTERY ASSEMBLY:** 35.2 Lbs
- MOUNTING FASTNER:** 22 Lbs

25V 60AH

- SOLAR PANEL:** 21.1 Lbs
- SOLAR LAMP:** 13.5 Lbs
- BATTERY ASSEMBLY:** 51 Lbs
- MOUNTING FASTNER:** 22 Lbs



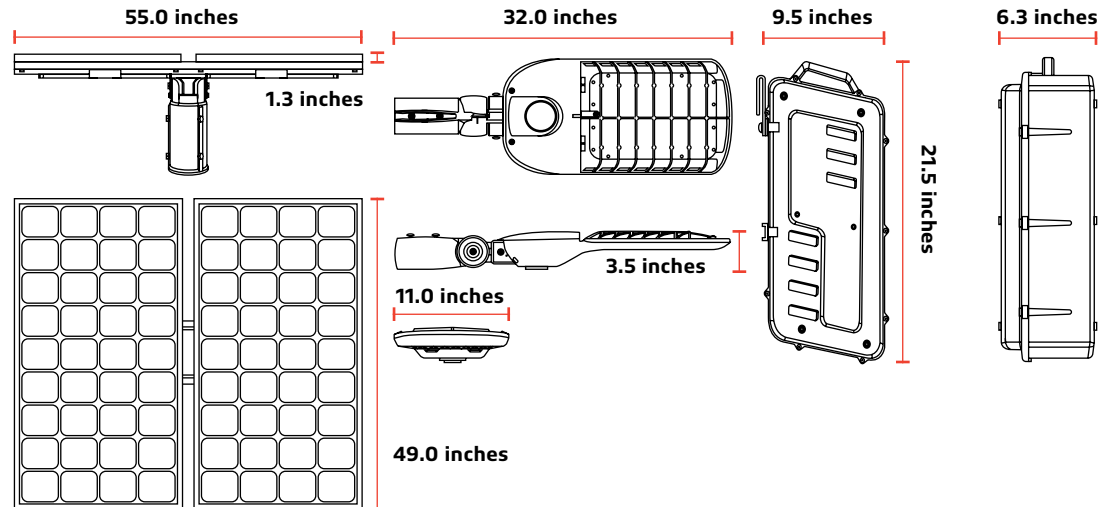
SATELIS 75W

25V 60AH

- SOLAR PANEL:** 42.2 Lbs
- SOLAR LAMP:** 13.8 Lbs
- BATTERY ASSEMBLY:** 51 Lbs
- MOUNTING FASTNER:** 28.6 Lbs

25V 90AH

- SOLAR PANEL:** 42.2 Lbs
- SOLAR LAMP:** 13.8 Lbs
- BATTERY ASSEMBLY:** 66 Lbs
- MOUNTING FASTNER:** 28.6 Lbs





SATELIS 50W 75W

| | | |
|-------------|--|----------|
| CATALOG | | COMMENTS |
| PROJECT | | |
| PREPARED BY | | |
| DATE | | |

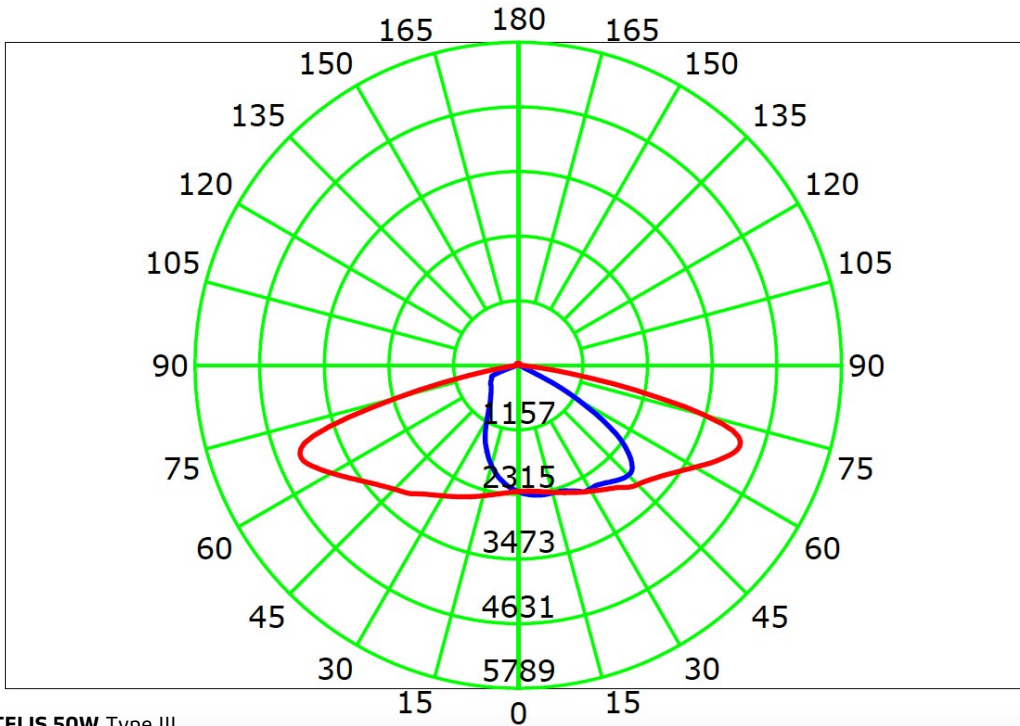
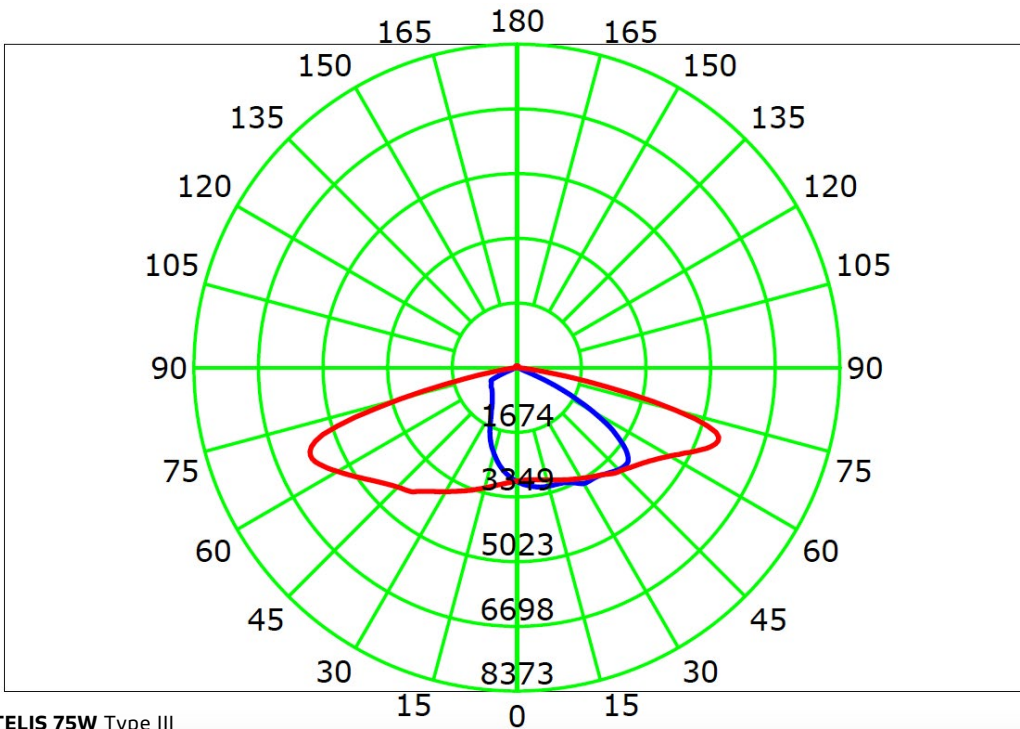
SPECIFICATIONS

| Specification | SATELIS 50W | | SATELIS 75W | |
|------------------------------------|---|---|---|---|
| | | | | |
| LED Nominal Power | 50W | 50W | 75W | 75W |
| Solar Panel | 36V 130W | 36V 130W | 36V 260W | 36V 260W |
| LiFePO ₄ Battery | 768WH 25.6V 30AH | 1,536WH 25.6V 60AH | 1,536WH 25.6V 60AH | 2,304WH 25.6V 90AH |
| Weight | 91.8Lbs | 107.6Lbs | 135.6Lbs | 150.6Lbs |
| Lumen Output@5000K | 10,000 | 10,000 | 15,000 | 15,000 |
| CRI | > 70 (> 80 Optional) | > 70 (> 80 Optional) | > 70 (> 80 Optional) | > 70 (> 80 Optional) |
| LED Chip | Lumileds 5050 (215lm-CR>70) | Lumileds 5050 (215lm-CR>70) | Lumileds 5050 (215lm-CR>70) | Lumileds 5050 (215lm-CR>70) |
| EPA | 11.3 ft ² | 11.3 ft ² | 18.1 ft ² | 18.1 ft ² |
| Waterproof Rate | IP65 | IP65 | IP65 | IP65 |
| Casting | Aluminum | Aluminum | Aluminum | Aluminum |
| Efficiency@5000K | 200lm/W | 200lm/W | 200lm/W | 200lm/W |
| * Charging Time | 6hrs | 12hrs | 5hrs | 9hrs |
| Operation Mode | Remote control and One-key Setting | Remote control and One-key Setting | Remote control and One-key Setting | Remote control and One-key Setting |
| Installation Height | 15-20 ft | 15-20 ft | 15-20 ft | 15-20 ft |
| * Operating Temperature | -20°C/-4 to 122°F | -20°C/-4 to 122°F | -20°C/-4 to 122°F | -20°C/-4 to 122°F |
| * Charging Temperature | 0°C/32°F to 149°F | 0°C/32°F to 149°F | 0°C/32°F to 149°F | 0°C/32°F to 149°F |
| Maximum Autonomy@Full Power | | | | |
| Motion Sensor Mode | 40%-100% 63hrs 20%-80% 105hrs | 40%-100% 126hrs 20%-80% 210hrs | 40%-100% 84hrs 20%-80% 140hrs | 40%-100% 126hrs 20%-80% 210hrs |
| Time Control Mode | Night Owl 38hrs Early Bird 34hrs | Night Owl 76hrs Early Bird 68hrs | Night Owl 50hrs Early Bird 45hrs | Night Owl 75hrs Early Bird 67.5hrs |
| Constant Mode | 100% 15hrs 70% 21hrs 40% 37hrs | 100% 30hrs 70% 42hrs 40% 74hrs | 100% 20hrs 70% 28hrs 40% 50hrs | 100% 30hrs 70% 42hrs 40% 75hrs |

* The temperature can impact the battery's charging and normal operation. If your place's temperature is under 32°F, we advice you to use the SUNLIKE PRO version to achieve better lighting results.

* The solar charge time data is base on 77 degree F ambient temperature with the panel pointed directly at the solar radiation. The standard radiation value is 1000W/m².

| CATALOG | | COMMENTS |
|-------------|--|----------|
| PROJECT | | |
| PREPARED BY | | |
| DATE | | |

IES / BEAM

SATELIS 50W Type III

SATELIS 75W Type III

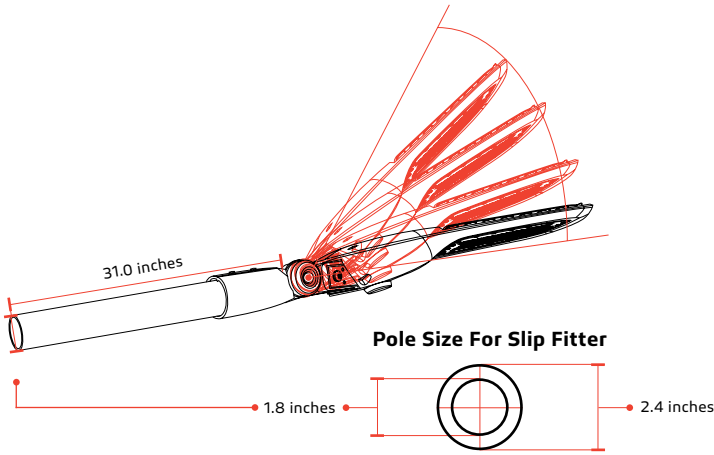


SATELIS 50W 75W

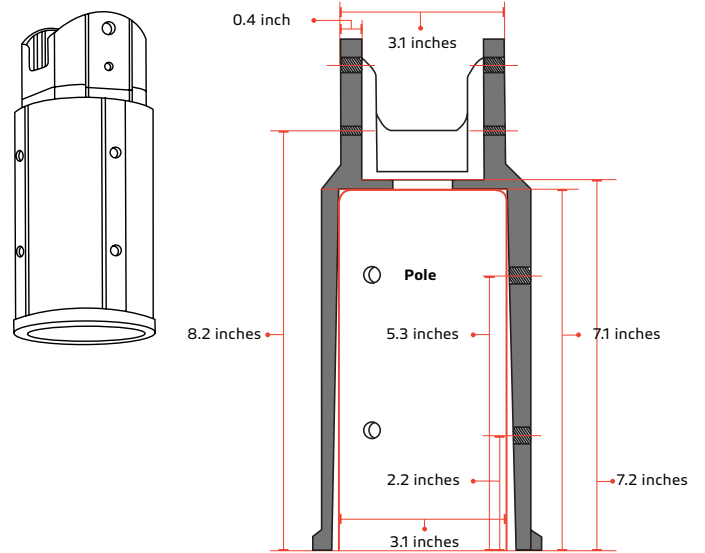
| CATALOG | | COMMENTS |
|-------------|--|----------|
| PROJECT | | |
| PREPARED BY | | |
| DATE | | |

INSTALLATION ACCESSORIES

SLIP FITTER

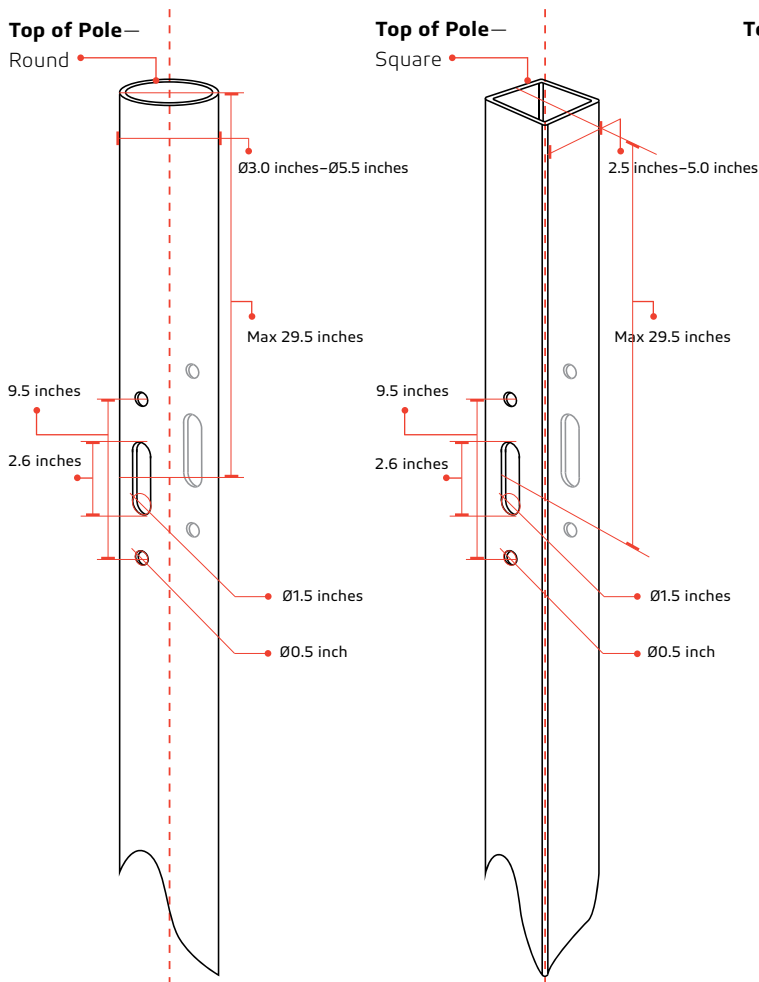


SOLAR PANEL SUPPORT BASE—CUTAWAY



POLE ASSEMBLY

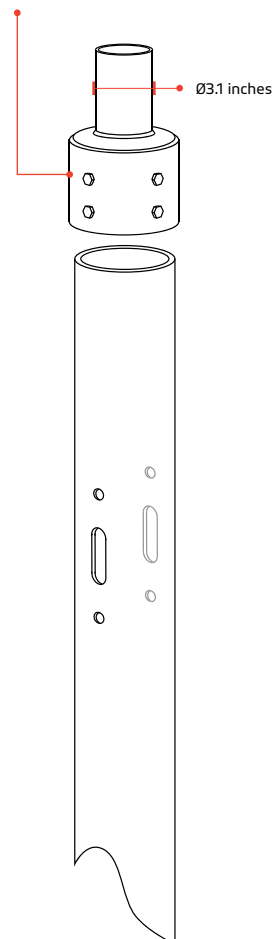
Create 2 holes (diameter 0.5 inch) in the middle of pole, create 1 hole (diameter 1.5 inch, 2.6 inch long) between the 2 holes.



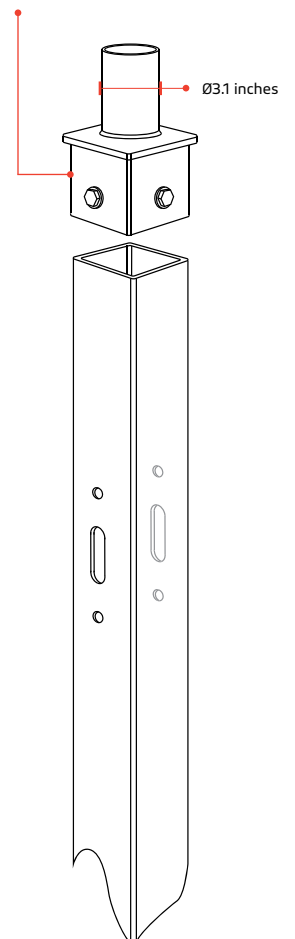
TENON ADAPTER

If your round pole size is over 3.1 inches, or you need a square pole, please contact the pole manufacturer for the tenon adapter.

Tenon Adapter—Round



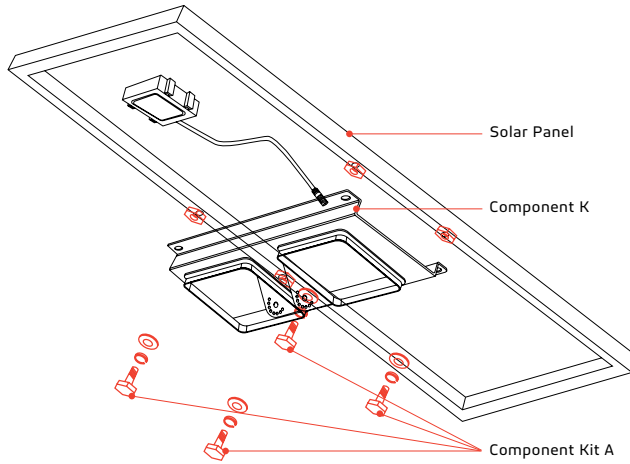
Tenon Adapter—Square



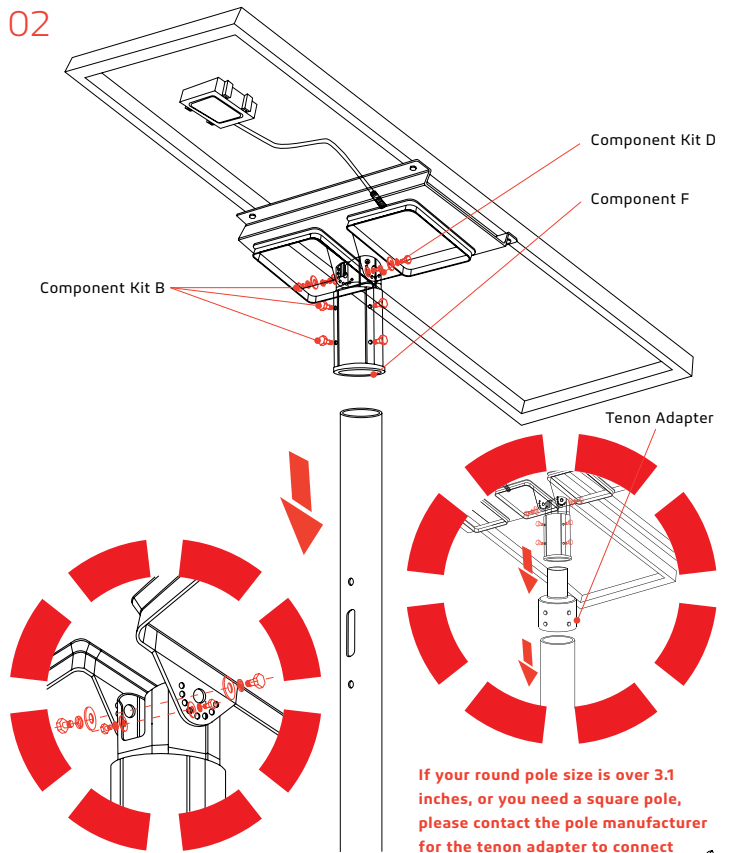
| CATALOG | | COMMENTS |
|-------------|--|----------|
| PROJECT | | |
| PREPARED BY | | |
| DATE | | |

SATELIS 50W

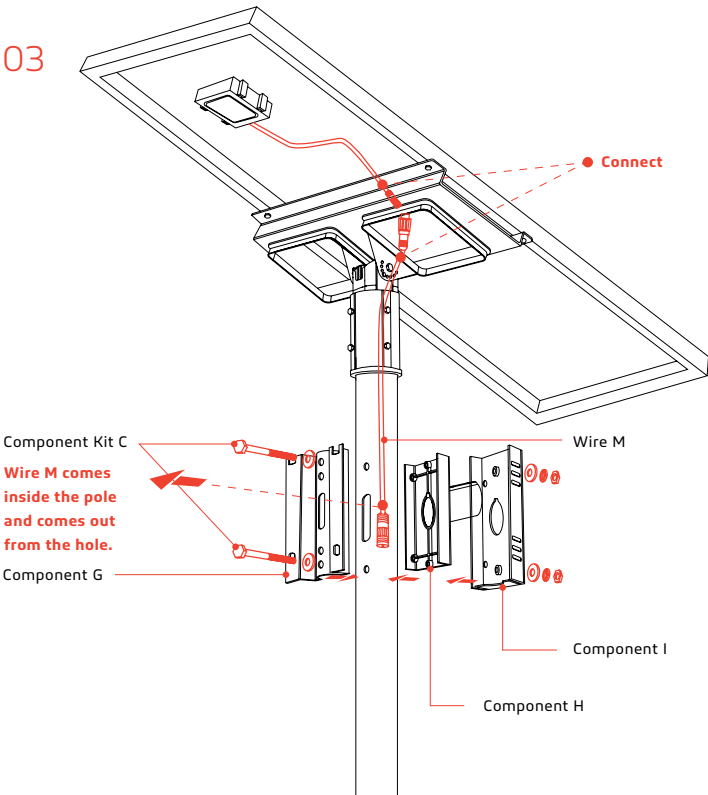
01



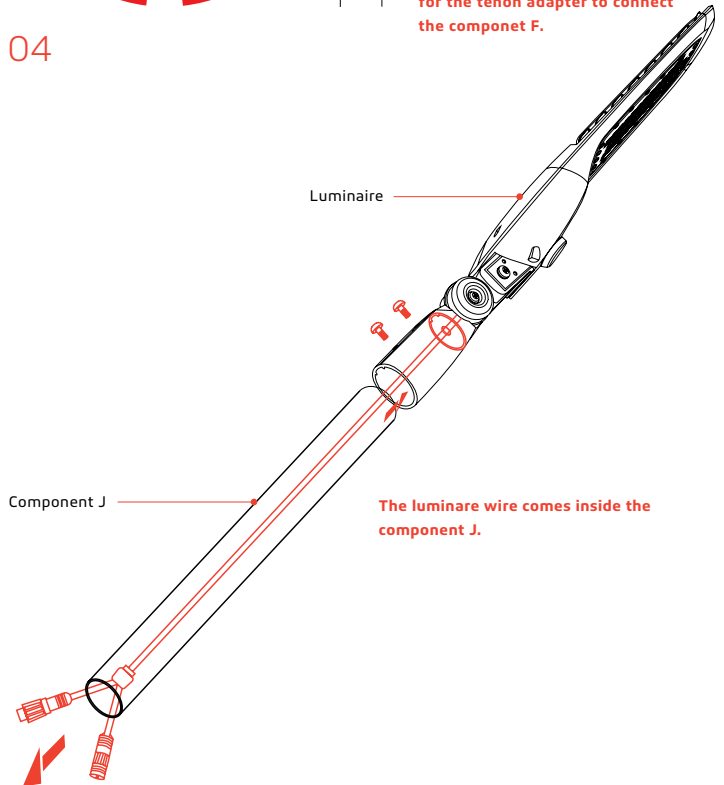
02



03



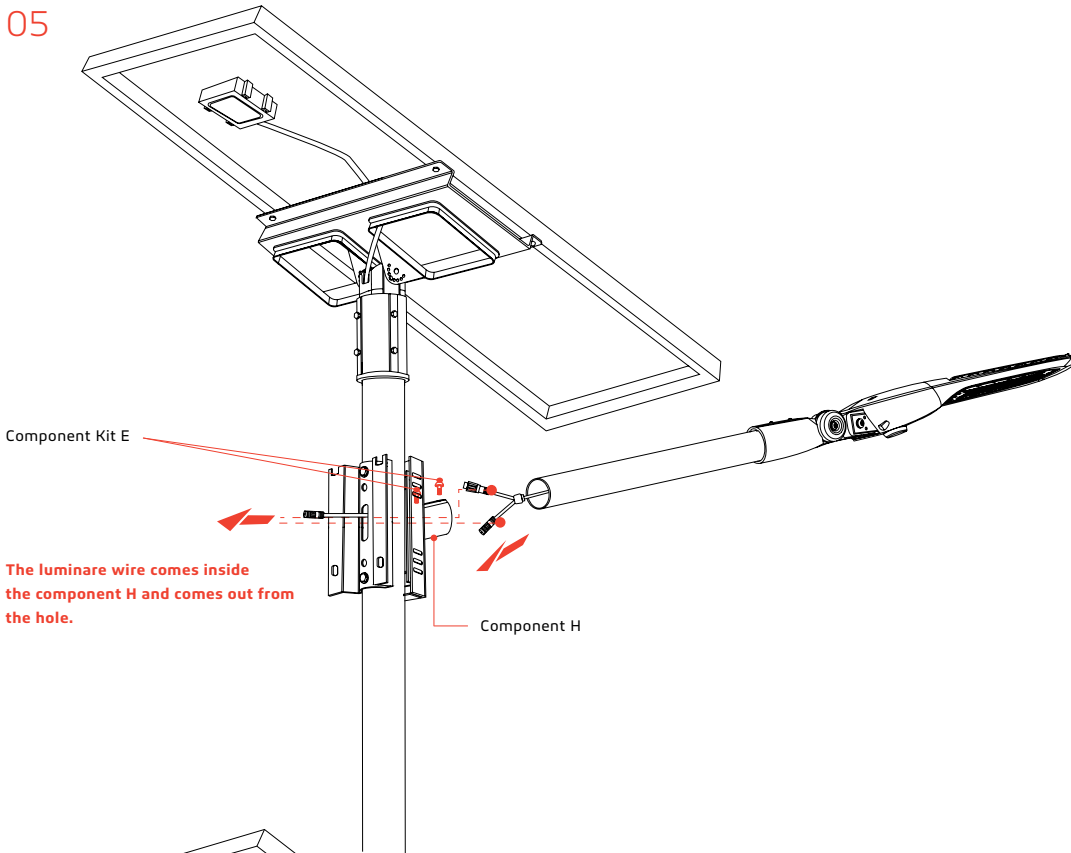
04



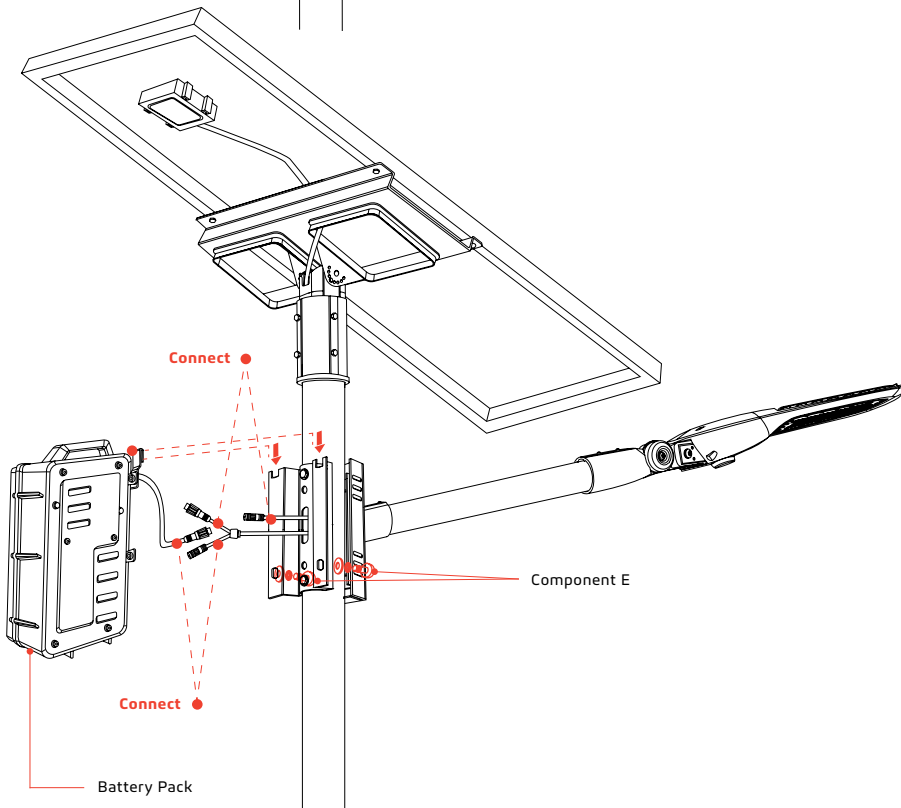
| CATALOG | | COMMENTS |
|-------------|--|----------|
| PROJECT | | |
| PREPARED BY | | |
| DATE | | |

SATELIS 50W

05



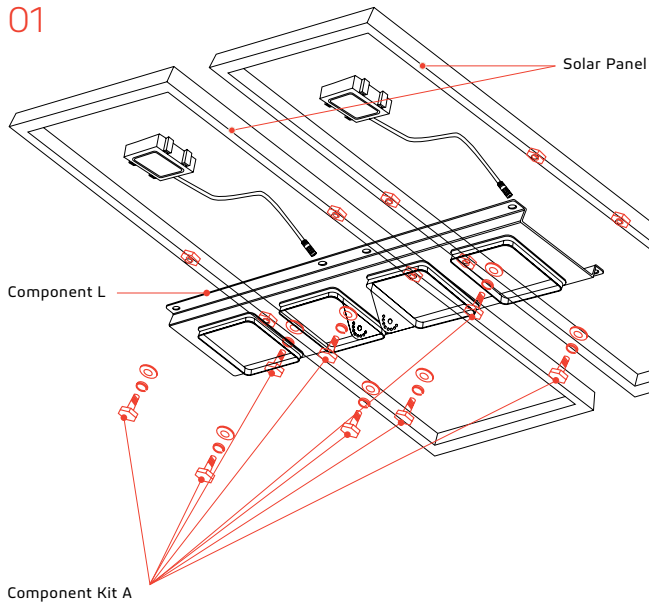
06



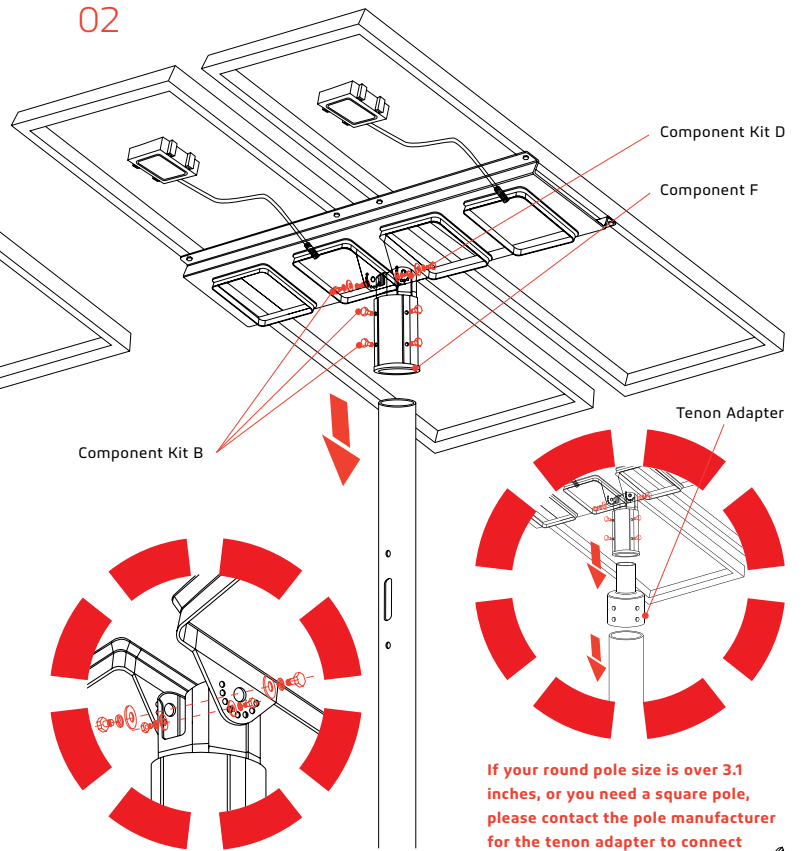
| CATALOG | | COMMENTS |
|-------------|--|----------|
| PROJECT | | |
| PREPARED BY | | |
| DATE | | |

SATELIS 75W

01

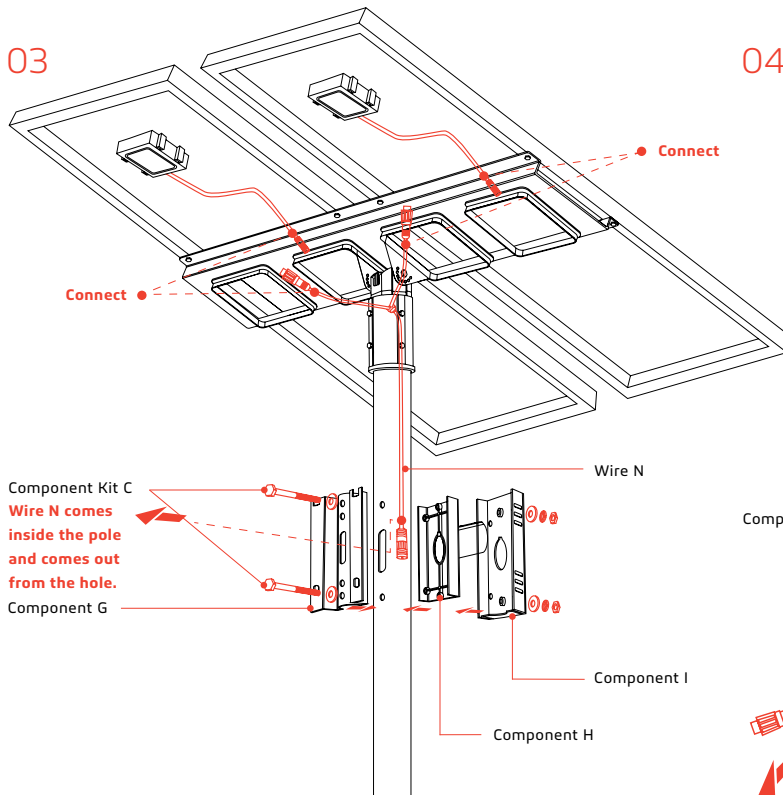


02



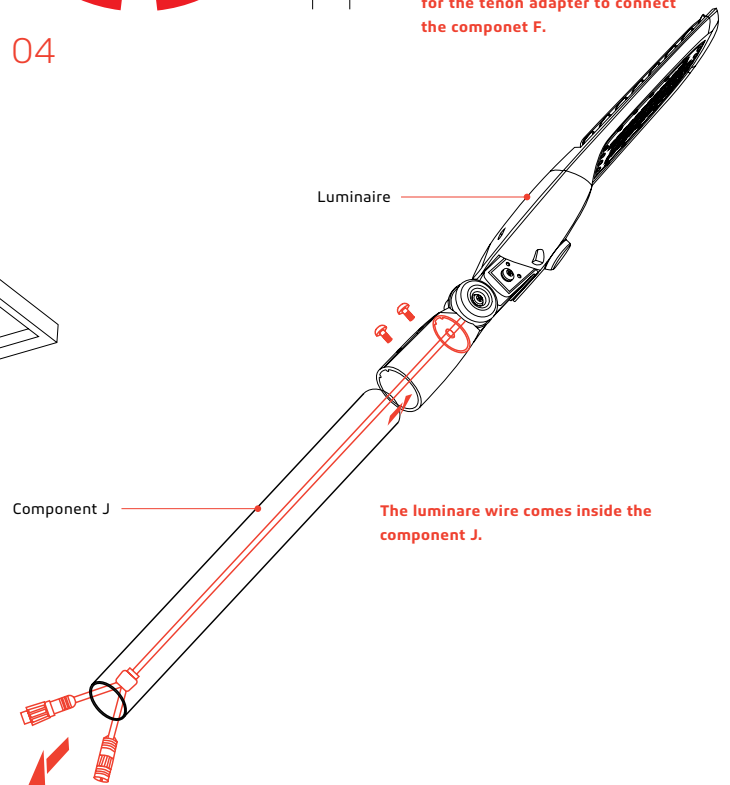
If your round pole size is over 3.1 inches, or you need a square pole, please contact the pole manufacturer for the tenon adapter to connect the component F.

03



Component Kit C
Wire N comes inside the pole and comes out from the hole.

04

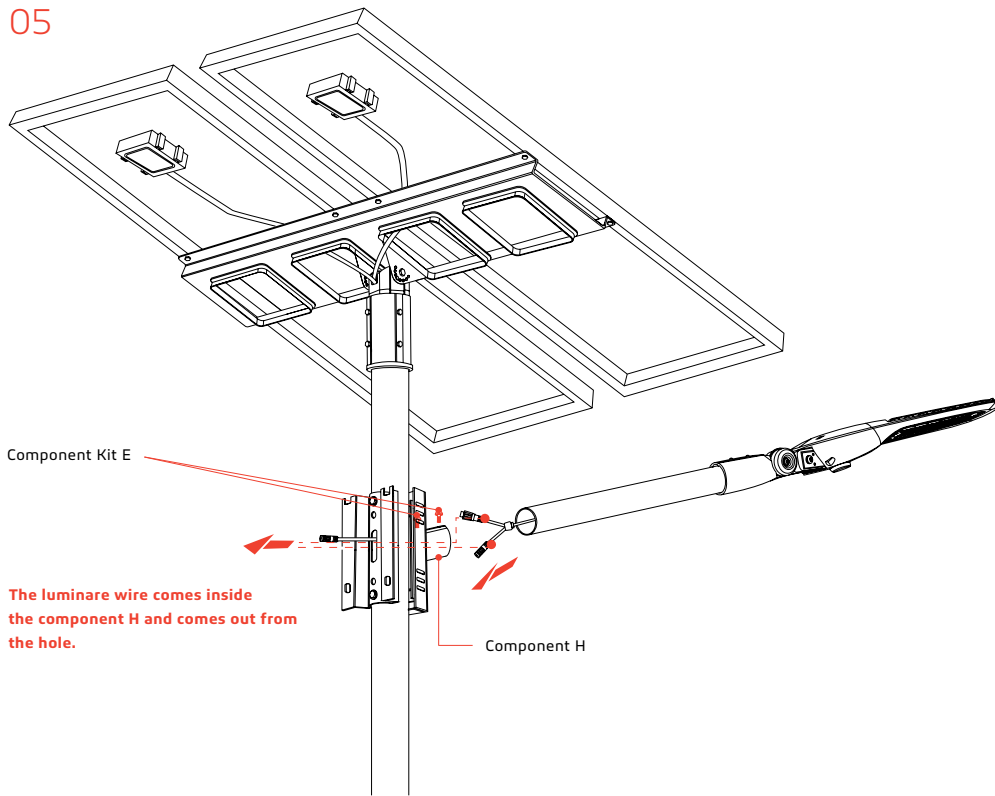


The luminaire wire comes inside the component J.

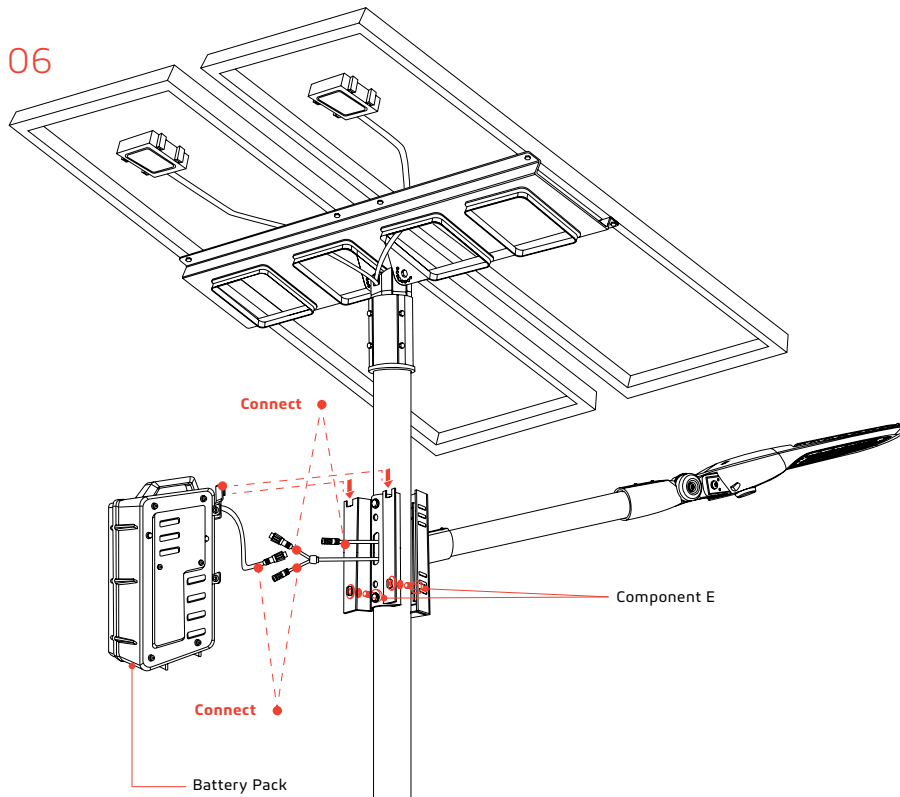
| CATALOG | | COMMENTS |
|-------------|--|----------|
| PROJECT | | |
| PREPARED BY | | |
| DATE | | |

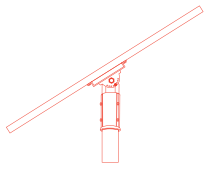
SATELIS 75W

05



06





60°

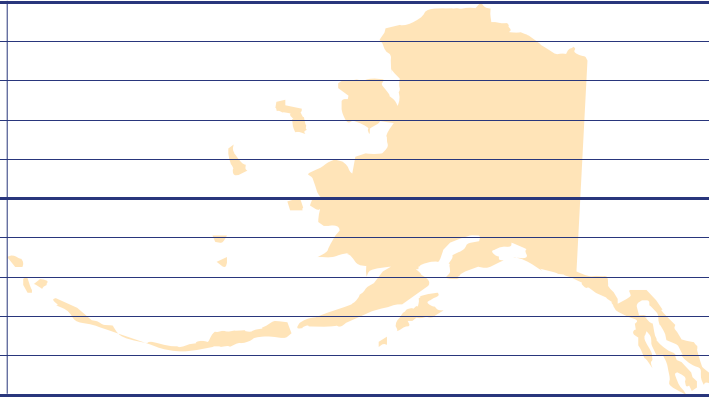
70° N

69° N
68° N
67° N
66° N

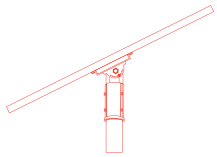
65° N

64° N
63° N
62° N
61° N

60° N



Alaska



45°

49° N

48° N
47° N
46° N

45° N

44° N
43° N
42° N

41° N

40° N
39° N
38° N

37° N

36° N
35° N
34° N

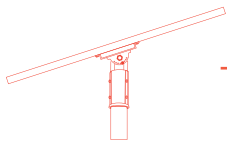
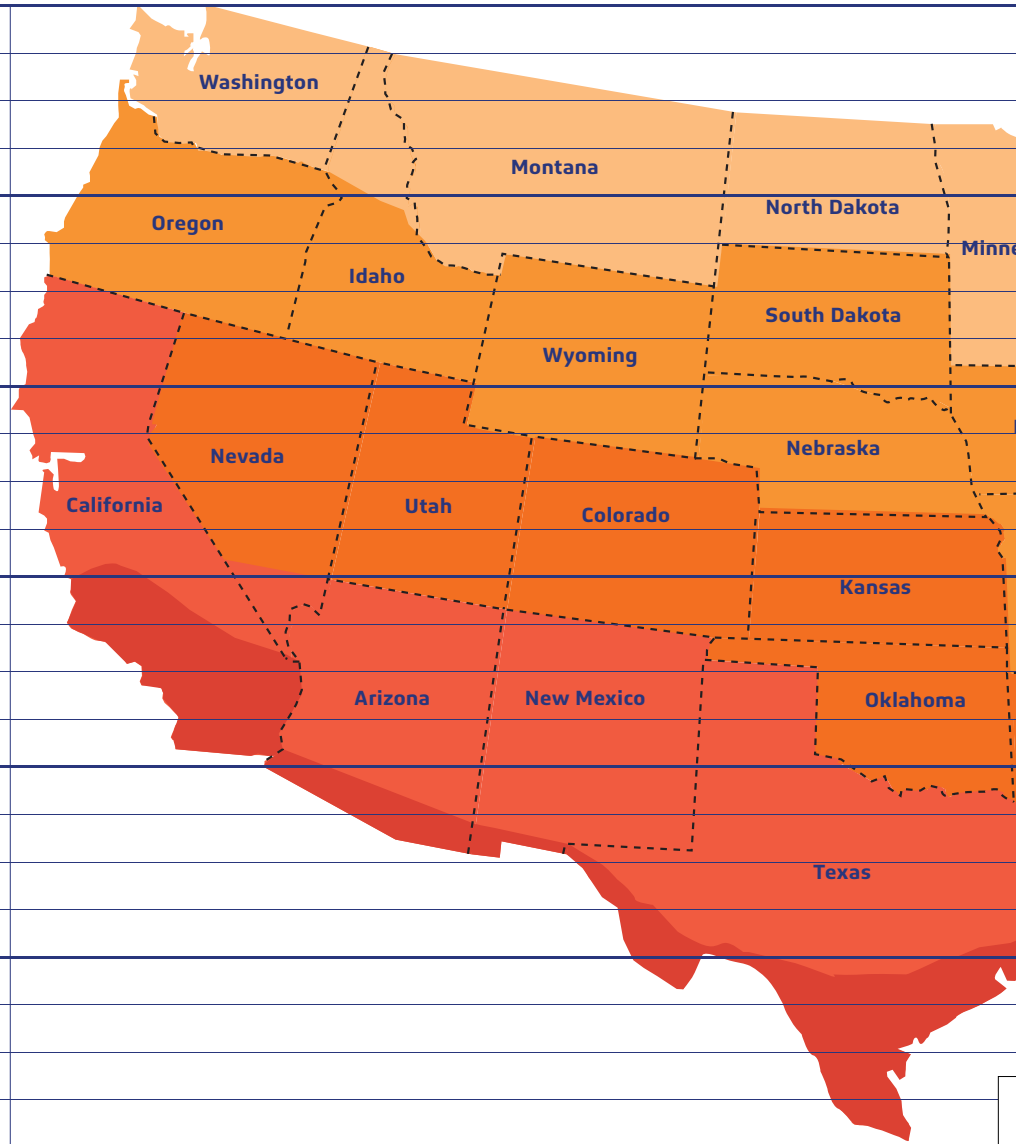
33° N

32° N
31° N
30° N

29° N

28° N
27° N
26° N

25° N



30°

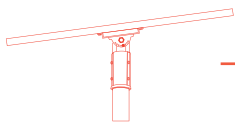
21° N

20° N

19° N



Hawaii



15°

010



SATELIS 50W 75W

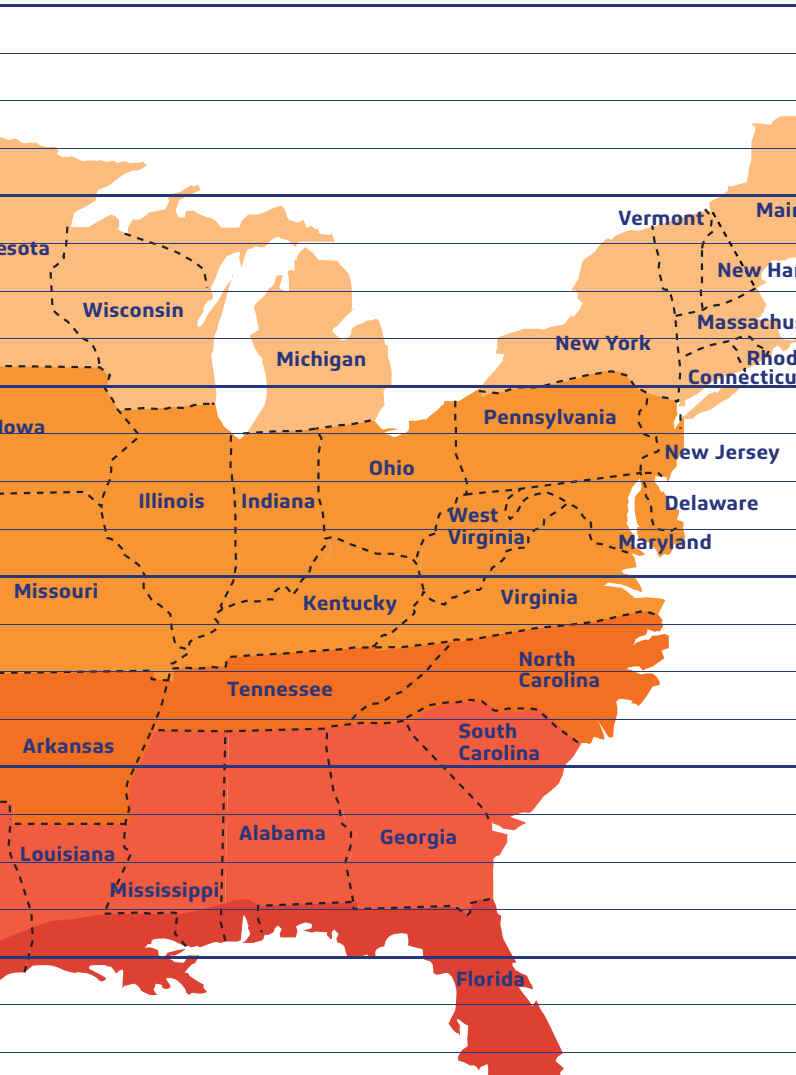
| CATALOG | | COMMENTS |
|-------------|--|----------|
| PROJECT | | |
| PREPARED BY | | |
| DATE | | |

The solar charge in a battery pack won't last forever. The off-grid system relies on stored solar energy for autonomy. Angling your solar panels properly can boost the power intake of your solar lighting system. You want to angle your solar panels at a tilt based on the area's latitude.

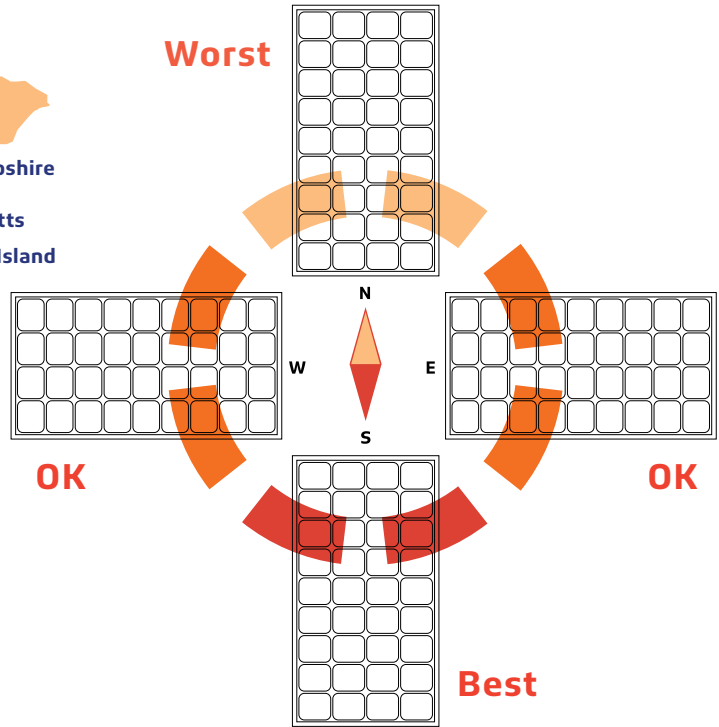
Tip

You can increase the tilt 15° in the winter or decrease 15° in the summer. In this way you can get the maximum sunlight to recharge the battery.

Key

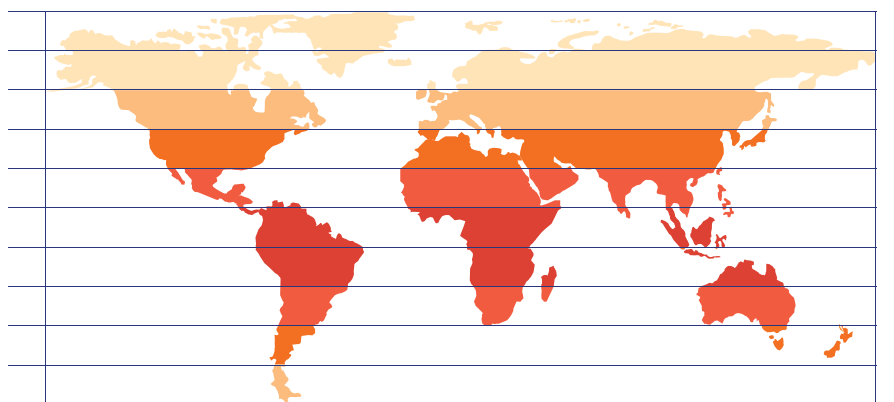
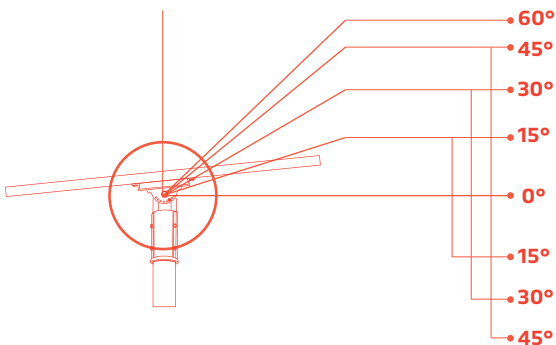


Best Facing Direction of Solar Panel



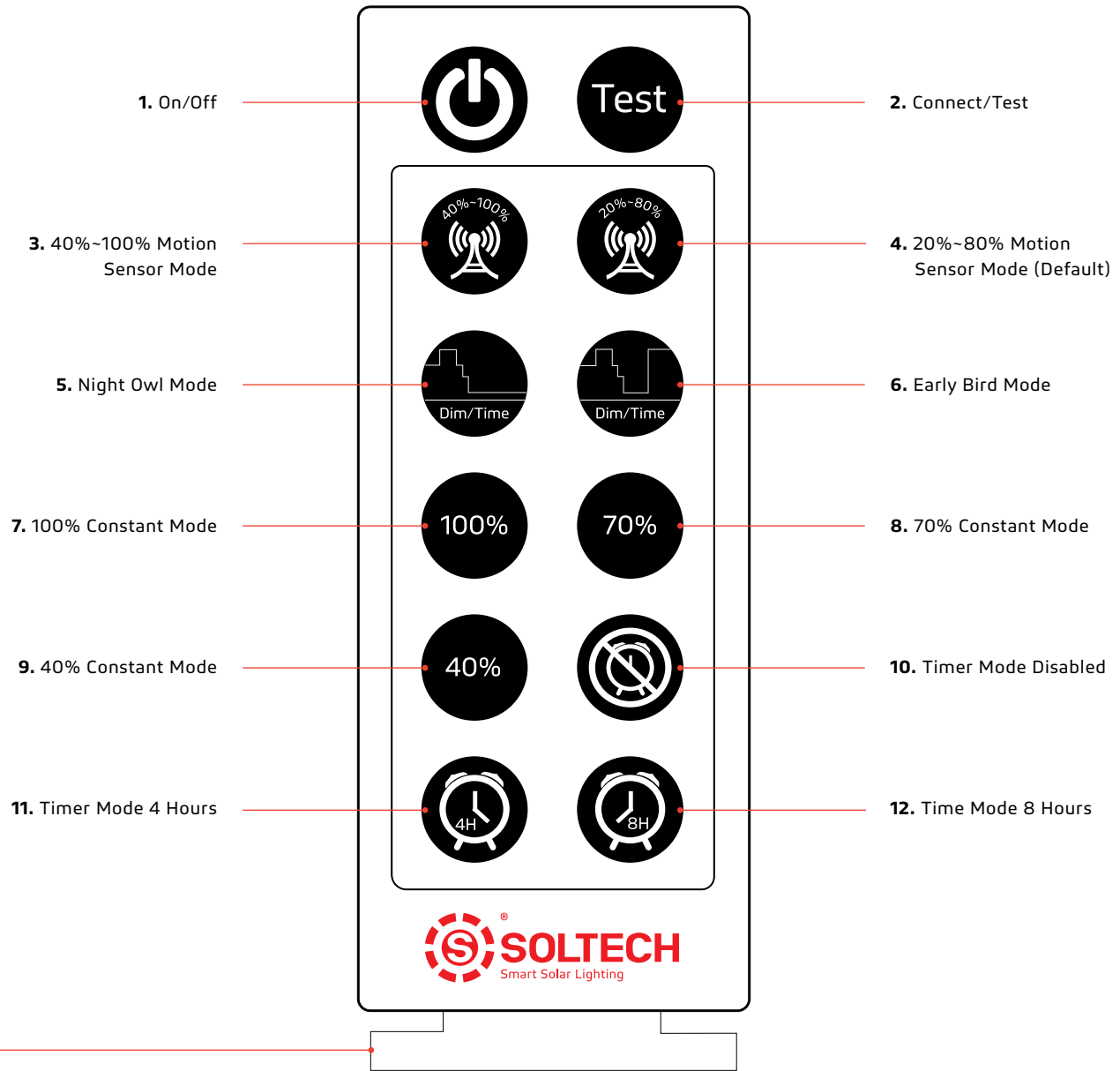
The area will dictate the installation of the fixtures and will sometimes prevent the lights from facing south. But that's okay! Panels facing West & East won't get as much light as Southern facing panels, but will still collect a good amount of sunlight. A North facing panel also works, but it will take longer to charge than any other direction. This would mean that the solar charge will be less optimal if installations are facing North.

World Wide Panel Angles

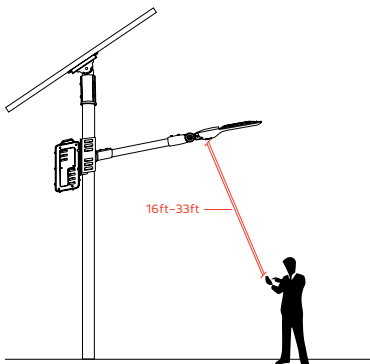


| CATALOG | | COMMENTS |
|-------------|--|----------|
| PROJECT | | |
| PREPARED BY | | |
| DATE | | |

REMOTE CONTROLS



When using the remote for the first time, please remove the plastic piece at the bottom to make the remote turn on.



The range of the remote control to the indicator is 16ft (Day time) to 33ft (Night time). Because the sunlight will impact the signal of the remote control, we suggest our users to setup the mode before they install the light.

1. On/Off

When off is selected, the light will stop working. The solar panel will not charge the battery and the battery will not supply electricity to the light.

2. Connect/Test

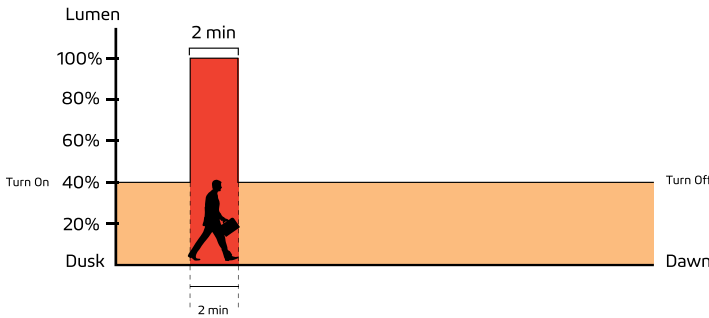
Remote control device can be connected with any lighting fixture, one at a time. To connect, press the button once. It also functions as a test button. To test, press the "Test" button once, the red light will indicate the fixture is charging, green light indicates that the fixture is operating. Testing lasts for 10 seconds, and then it goes back to the mode previously in use.

| CATALOG | | COMMENTS |
|-------------|--|----------|
| PROJECT | | |
| PREPARED BY | | |
| DATE | | |

REMOTE CONTROLS

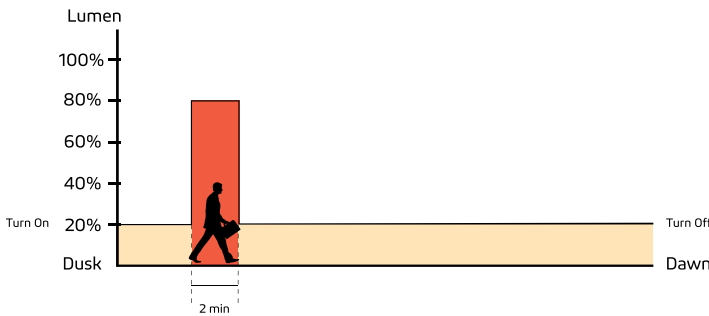
3. 40%-100% Motion Sensor Mode

Constant 40% brightness (turns on at dusk, turns off at dawn); 100% brightness turns on for 2 minutes when motion is detected.



4. 20%-80% Motion Sensor Mode (Default)

Constant 20% brightness (turns on at dusk, turns off at dawn); 80% brightness turns on for 2 minutes when motion is detected.

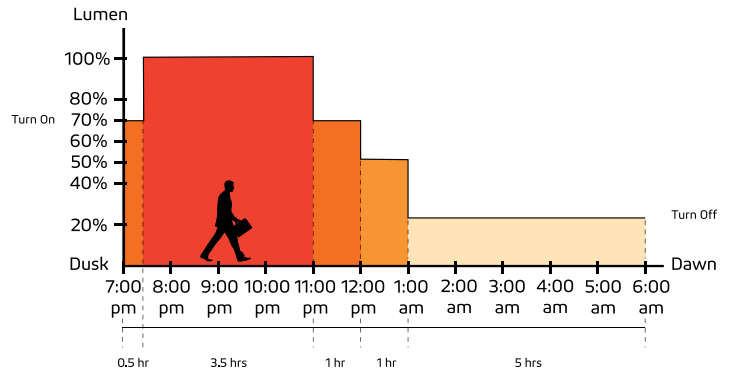


(IAP) Intelligent Adaptive Program Battery Control Technology

In order to extend the off-grid autonomy of the SATELIS under shady trees, heavy rain, and thick clouds, our controllers now integrate an adaptive smart control feature to actively track battery capacity and adjust light output accordingly. Before integrating this feature, selecting a light output percentage on the remote would yield an accurate percentage of max LED brightness. Now with (IAP), the controller actively monitors the battery and regulates the electrical current to the LEDs. The controller makes light output of the selected percentage on the remote relative to battery capacity rather than max LED output. This smart-control feature can increase our off-grid performance by up to 40%.

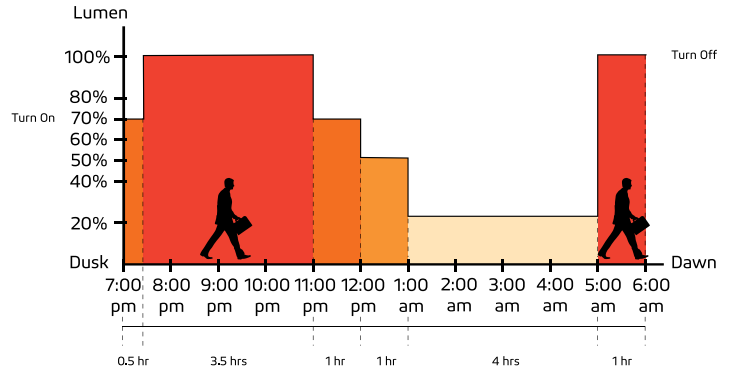
5. Night Owl Mode

Changes as natural light decreases/increases (turns on at dusk); 70% brightness for 0.5 hour, 100% brightness for 3.5 hours, 70% brightness for 1 hour, 50% brightness for 1 hour, 20% brightness for 5 hours (turns off at Dawn).



6. Early Bird Mode

Changes as natural light decreases/increases with increased brightness near dawn for early risers (turns on at dusk); 70% brightness for 0.5 hour, 100% brightness for 3.5 hours, 70% brightness for 1 hour, 50% brightness for 1 hour, 20% brightness for 4 hours, 100% brightness for 1 hour (turns off at Dawn).



Important

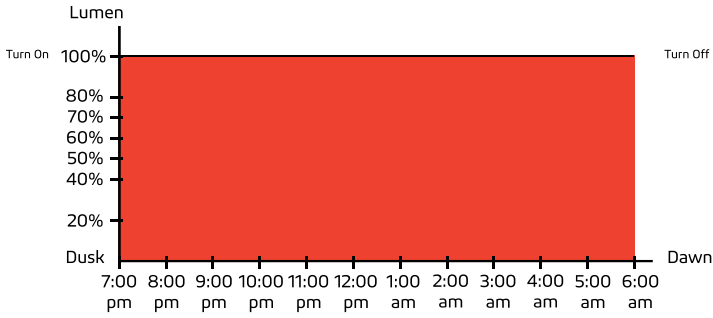
Dusk and dawn time may be different in other locations and seasons. The sensors of our products will follow the light patterns of where it is installed. The time period shown in the chart above is just an example to help you understand the different lighting modes only.

| CATALOG | | COMMENTS |
|-------------|--|----------|
| PROJECT | | |
| PREPARED BY | | |
| DATE | | |

REMOTE CONTROLS

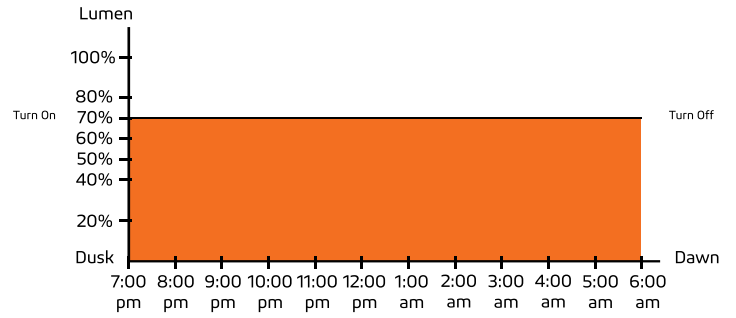
7. 100% Constant Mode

100% brightness from dusk to dawn.



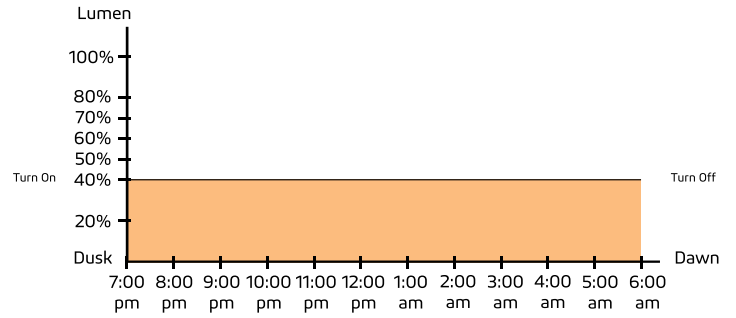
8. 70% Constant Mode

70% brightness from dusk to dawn.



9. 40% Constant Mode

40% brightness from dusk to dawn.



10. Timer Mode Disabled

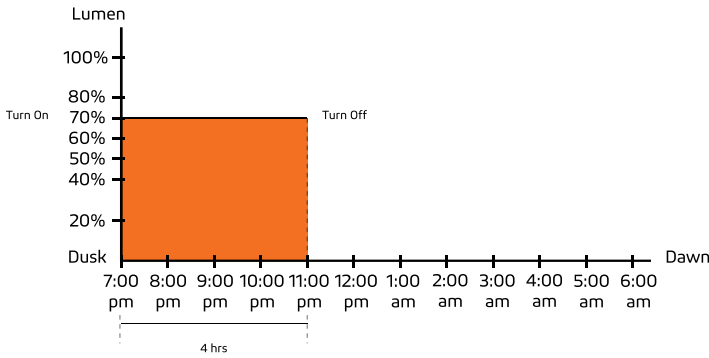
Press this button to turn off Timer Mode; settings revert back to before Timer Mode was last activated.

| CATALOG | | COMMENTS |
|-------------|--|----------|
| PROJECT | | |
| PREPARED BY | | |
| DATE | | |

REMOTE CONTROLS

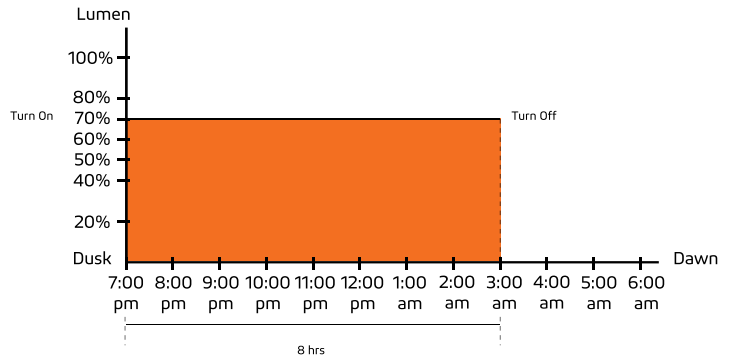
11. Timer Mode 4 Hours

This is an additional mode which can work with any other modes. For example: press this button at any time after you turn on 70% Constant Mode. If the light turns on at 7pm at dusk, it will turn off at 11pm. It will repeat the same schedule hereafter until it is canceled by pressing Timer Mode Disabled.



12. Time Mode 8 Hours

This is an additional mode which can work with any other modes. For example: press this button at any time after you turn on 70% Constant Mode. If the light turns on at 7pm at dusk, it will turn off at 3am. It will repeat the same schedule hereafter until it is canceled by pressing Timer Mode Disabled.



Important

Dusk and dawn time can vary for different locations and seasons. The sensors in our products will monitor the light levels where it is installed. The time period shown in the chart above is just an example to help you understand the different lighting modes.



SATELIS 50W 75W

| | | |
|-------------|--|----------|
| CATALOG | | COMMENTS |
| PROJECT | | |
| PREPARED BY | | |
| DATE | | |

WARRANTY

SATELIS products are covered by a 5 year limited warranty. SOLTECH urban light warrants to the original purchaser that this product is free from defects in materials and workmanship for the period of 5 years from date of purchase. To obtain warranty service please contact your local distributor or sales rep for further instruction.



1460 Park Avenue.
Emeryville, CA 94608 USA

www.soltechlighting.com

SOLTECH LLC reserves the right to update all product data sheets at any time. Consult SOLTECH marketing specialists for publication updates at hello@soltechlighting.com

Copyright©2022-2023 SOLTECH LLC,
All Rights Reserved.