

LED Rotatable Wall Pack

Project Information

Type _____

Name _____

Voltage _____

Product Description

Rotatable Wall Pack Light fixture has an adjustable design for outdoor landscape, industrial or wall lighting applications, made by die-casting aluminum alloy housing, Anti-Corrosion painting, combines the latest LED technology with 130lm/w brightness, waterproof IP65 led driver, ideal for replacing Metal Halide or HPS light fixtures.



Applications

Outdoor landscape lighting, wall lighting area etc.



Electric Characteristic:

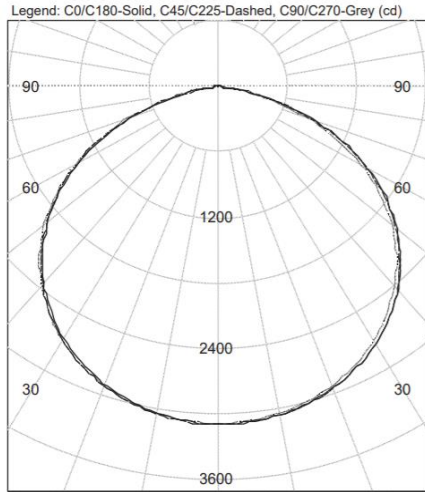
Specification/Model	LS-WP25WXYZV2-aaK(j)	LS-WP40WXYZV2-aaK(j)	LS-WP55WXYZV2-aaK(j)	LS-WP60WXYZV2-aaK(j)	LS-WP80WXYZV2-aaK(j)	LS-WP120WXYZV2-aaK(j)
LED Chips	3030 LED SOURCE					
Input power	25W	40W	55W	60W	80W	120W
Lumens output	3000LM	4800LM	6600LM	7200LM	10400LM	14400LM
Efficiency	120LM/W	120LM/W	120LM/W	120LM/W	130LM/W	120LM/W
Housing	Die-casting Aluminum Alloy, Anti-Corrosion					
Color Temperature	4000/5000/5700K					
Input voltage	100-277V					
Light distribution type	60D					
Finish	Brown, Black, White					
Total Hmarmonic Distort	13.5%					
Power Factor	0.93					
Certificate	UL DLC					
Equivalent	50-75W MH/HPS	75W-120W MH/HPS	120-175W MH/HPS	175-250W MH/HPS	250W-400W MH/HPS	400W-600W MH/HPS

DLC Ordering Model No Information

Example:LS-WP25WXYZV2-aaK(j)

Product	Power	Replacement	Color Temperature	Options
LS-WP25WXYZV2-aaK(j)	25W	50W-75 MH/HPS	40K 4000K 50K 5000K 57K 5700K	R=Rotatable N=Not rotatable
LS-WP40WXYZV2-aaK(j)	40W	75-120W MH/HPS		
LS-WP55WXYZV2-aaK(j)	55W	120-175W MH/HPS		
LS-WP60WXYZV2-aaK(j)	60W	175-250W MH/HPS		
LS-WP80WXYZV2-aaK(j)	80W	250-400W MH/HPS		
LS-WP120WXYZV2-aaK(j)	120W	400-600W MH/HPS		

Photometrics



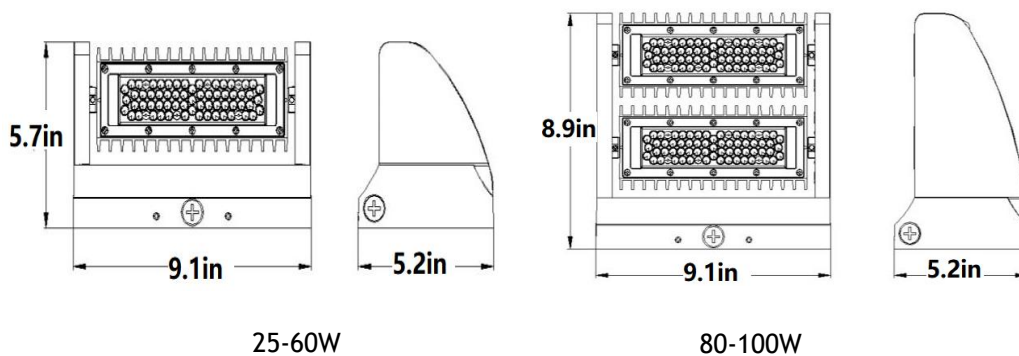
Gamma	INTENSITY SUMMARY (cd)					Flux (lm)
	C0	C22.5	C45	C67.5	C90	
0.0	3095	3095	3095	3095	3095	
5.0	3084	3103	3089	3081	3074	293
10.0	3055	3075	3059	3047	3041	
15.0	3005	3025	3009	2996	2986	846
20.0	2934	2954	2934	2923	2909	
25.0	2839	2860	2838	2827	2808	1301
30.0	2723	2741	2721	2710	2687	
35.0	2582	2598	2577	2567	2543	1598
40.0	2417	2432	2410	2399	2372	
45.0	2228	2240	2218	2202	2176	1685
50.0	2012	2020	1997	1977	1952	
55.0	1767	1771	1748	1726	1700	1526
60.0	1492	1493	1469	1447	1419	
65.0	1189	1185	1159	1141	1119	1109
70.0	864	847	830	821	795	
75.0	514	512	507	497	473	500
80.0	227	123	208	215	202	
85.0	6	4	20	22	22	45
90.0	0	0	0	0	0	

Projected LED Lumen Maintenance

Operating hours	0	25000	50000
Lumen maintenance factor	1	0.91	0.8

Data references the extrapolated performance projections for the wall pack LED platform in a 25°C ambient, based on 10,000 hours of LED testing (tested per IESNA LM - 80-08 and projected per IESNA TM-21-11).

Dimensions



25-60W

80-100W

After Sale Service

The product refers to electricians knowledge. Please do not disassemble it by yourself. If any quality problem happens, please contact the factory, for warranty details, contact factory.

NOTE: Actual performance may differ as a result of end-user environment and application. All values are without notice.

Warning :

- 1.Can not use the electric generator to test the LED lamp.
2. This luminaire must be installed in accordance with your local electrical codes and requirements;
3. Do not install the luminaire in the rain, to avoid lightning stroke and damage to luminaire.

Installation notice :

1. This luminaire must be installed by qualified electrician to avoid electric shock and fire accident;
2. Wear gloves before installation in order to avoid injury;
3. Turn off the power immediately when there is smoke and fire during installation; inform professionals to overhaul;
4. This luminaire is suited for outdoor use.

The installation of the product can be used when it is marked with "√".

Installation I :

Wiring from the bottom of luminaire

1.Cut holes on the wall according to locating plate. (Figure 1-1)

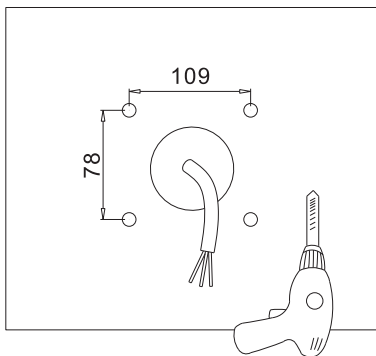


Figure 1-1

2.Fix rubber plugs into holes.(Figure 1-2)

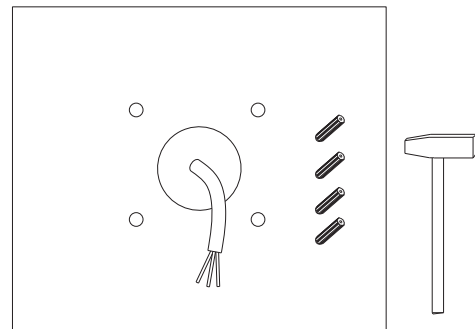


Figure 1-2

3.Align mounting bracket with hole; tighten screws.(Figure 1-3)

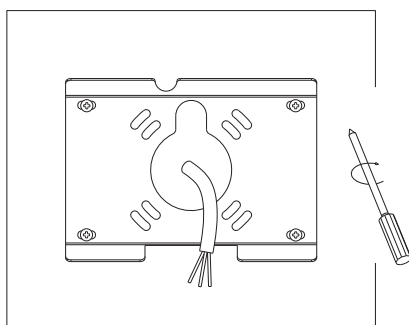


Figure 1-3

4.Make wiring connection and go through isolation treatment.(Figure 1-4)

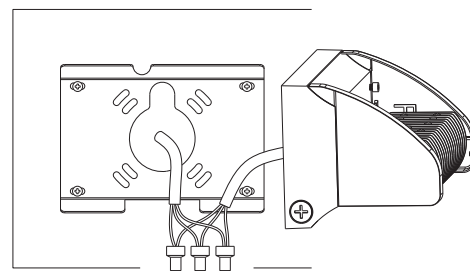


Figure 1-4

5. Fix the luminaire on the bracket and tighten screws on the bottom. (Figure 1-5)

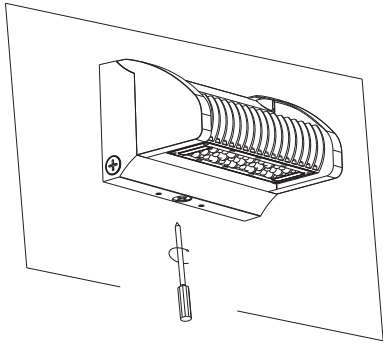


Figure 1-5

6. After installation, tighten the screws. (Figure 1-6)

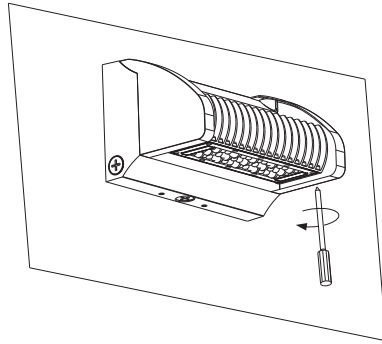


Figure 1-6

☑ Installation II: Wiring from the side of luminaire

1. Cut holes on the wall according to locating plate (Figure 2-1)

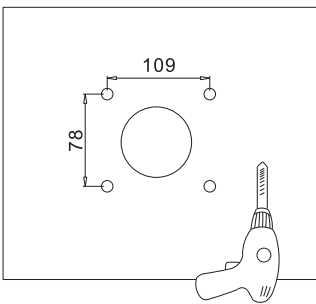


Figure 2-1

2. Fix rubber plugs into holes. (Figure 2-2)

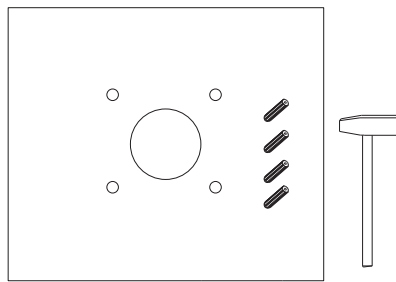


Figure 2-2

3. Align mounting bracket with hole; tighten screws. (Figure 2-3)

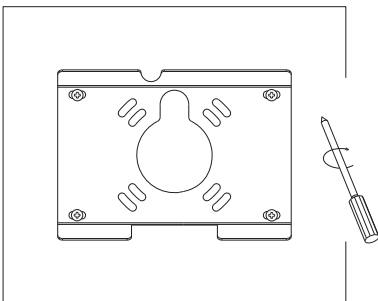


Figure 2-3

4. Fix the luminaire on the bracket; make wiring connection from side and go through isolation treatment. (Figure 2-4)

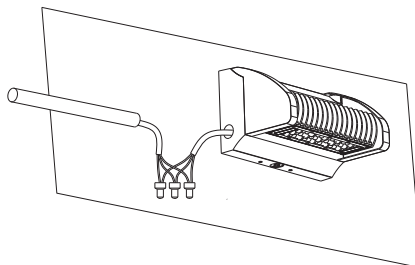


Figure 2-4

5. Tighten the pipe on the luminaire; after installation, tighten the screws. (Figure 2-5)

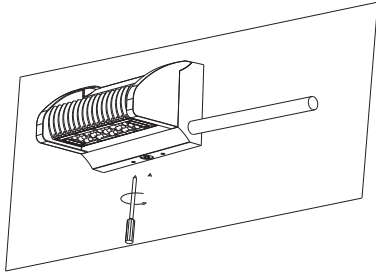


Figure 2-5

□ Installation III: Bracket installation

1. Cut holes on the wall according to locating plate. (Figure 3-1)

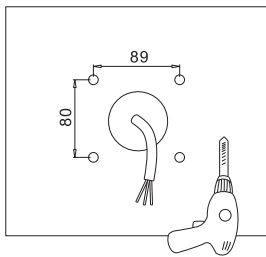


Figure 3-1

2. Fix rubber plugs into holes. (Figure 3-2)

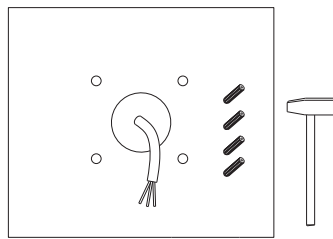


Figure 3-2

3. Align mounting bracket with hole; tighten screws. (Figure 3-3)

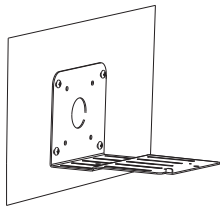


Figure 3-3

4. Pass wires through rubber ring and junction box, align with holes and lock junction box. (Figure 15)

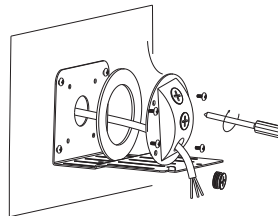


Figure 3-4

5. Make wiring connection and go through isolation treatment. (Figure 3-5)

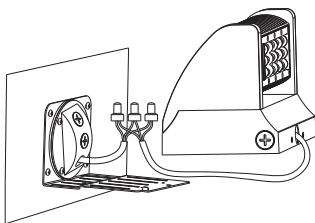


Figure 3-5

6. Push the wires into the junction box; after installation, tighten the screws. (Figure 3-6)

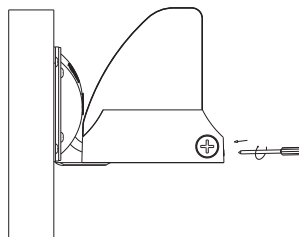


Figure 3-6