

| | |
|------------|--|
| Project: | |
| Type: | |
| Catalog #: | |

STANDARD



FEATURES

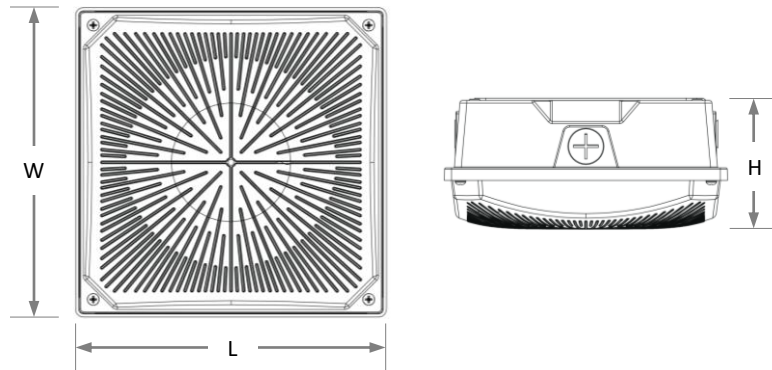
- Field selectable 3000k (warm white), 4000k (neutral white), & 5000k (cool white) color temperatures.*
- Long-life LEDs provide 169,000 hours of operation with at least 70% of initial lumen output (L_{70}), and 51,000 hours with at least 90% of initial lumen output (L_{90}).**
- LED chromaticity based on ≤ 7 -step ANSI quadrangles.
- LED color maintenance ≤ 0.001 chromaticity shift ($\Delta u'v'$) over the initial 6,000 hours of operation.
- PG-5L = 5,000 nominal lumens.*
- PG-10L = 10,000 nominal lumens.*
- Universal 120-277V (50/60Hz) AC voltage.
- 0-10vdc dimming drivers, which provide continuous dimming to 10% of maximum lumen output, are standard.
- Mounting options include surface-mounting and pendant-mounting using $\frac{3}{4}$ " electrical conduit.
- Optional, integral occupancy/daylight sensor is installed inside the luminaire housing and provides both on/off and dimming functions.
- Power factor ≥ 0.90 .
- Total harmonic distortion $\leq 20\%$.
- Color rendering index (R_a) > 80 . Red color rendering > -5 .
- Die cast aluminum housing with white powder coat finish.
- Polycarbonate lens.
- Easy installation in new construction or retrofit.

* Contact factory for other color temperatures and lumen packages.
 ** L_{70} hours are IES TM-21-11 calculated hours.

WARRANTY & LISTINGS

- cULus listed for wet locations in ambient temperatures from -20°C to 45°C (-4°F to 113°F).
- IP65 rated for ingress protection.
- Lens is IK10 rated for impact.
- DLC premium approved (primary use categories: Parking Garage Canopy Luminaires).
- Complies with FCC Part 15, class A.
- Standard models comply with IEC/EN 61000-4-5, surge immunity protection, 2kV. Optional 10kV surge protector available (see below for ordering information).
- 5-year warranty on all electronics and housing.

DIMENSIONS



| Model | Length | Width | Height | Weight |
|--------|--------|-------|--------|--------|
| PG-5L | 8" | 8" | 3.7" | 4 lbs. |
| PG-10L | 10" | 10" | 4.2" | 6 lbs. |

ORDERING INFORMATION

Example: PG-10L-KFS-ODS

| Series | Nominal Lumen Output | | Color Temperature | | Occupancy Sensor | | Surge Protection (optional) | | Accessories | |
|--------|----------------------|---------------|-------------------|-------------------------|------------------|--|-----------------------------|--|-------------|-----------------------|
| | 5L | 10L | KFS* | 3000k 4000k 5000k | ODS | Microwave dimming, daylight & occupancy sensor (factory installed) | SP10 | TDC model SPD277-10K.1 10kV surge protector | HD03R | Sensor remote control |
| PG | 5,000 lumens | 10,000 lumens | | | Blank | No occupancy sensor | Blank | No additional surge protection | | |

¹ Remote control Required for programming (sold separately).

² Default sensor settings: detection area = 100%, hold time = 5 seconds, daylight threshold = disabled, stand-by period = 0 seconds, stand-by dimming level = 10%

ELECTRICAL DATA

| Model | Color Temperature | CRI ¹ | Luminaire Lumens | Luminaire Watts | Lumens/Watt | Input Voltage ² | Input Current (A) | | | Power Factor | THD ³ | L ₇₀ Hours ⁴ |
|------------|-------------------|------------------|------------------|-----------------|-------------|----------------------------|-------------------|------|------|--------------|------------------|------------------------------------|
| | | | | | | | 120V | 240V | 277V | | | |
| PG-5L-KFS | 3000k | > 80 | 5,010 | 40 | 126 | 120-277 | 0.33 | 0.17 | 0.14 | > 0.90 | < 20 | 169,000 |
| PG-5L-KFS | 4000k | > 80 | 5,399 | 38 | 141 | 120-277 | 0.32 | 0.16 | 0.14 | > 0.90 | < 20 | 169,000 |
| PG-5L-KFS | 5000k | > 80 | 5,462 | 40 | 137 | 120-277 | 0.33 | 0.17 | 0.14 | > 0.90 | < 20 | 169,000 |
| PG-10L-KFS | 3000k | > 80 | 9,329 | 75 | 125 | 120-277 | 0.63 | 0.31 | 0.27 | > 0.90 | < 20 | 169,000 |
| PG-10L-KFS | 4000k | > 80 | 10,156 | 71 | 142 | 120-277 | 0.59 | 0.30 | 0.26 | > 0.90 | < 20 | 169,000 |
| PG-10L-KFS | 5000k | > 80 | 10,016 | 75 | 134 | 120-277 | 0.63 | 0.31 | 0.27 | > 0.90 | < 20 | 169,000 |

¹ Color rendering index.

² All 50-60Hz.

³ Total harmonic distortion.

⁴ L₇₀ refers to the number of hours at which lumen output declines to 70% of the initial level. L₇₀ hours are IES TM-21-11 calculated hours.

PHOTOMETRIC DATA

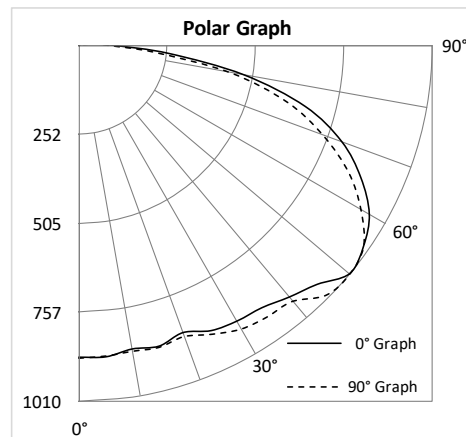
PG-5L-KFS

Luminaire Data

| | |
|-----------------------------|--|
| Description | Parking Garage Luminaire 5L, Kelvin Field Selectable (3K) |
| Total Lumens | 5,010 |
| Input Wattage | 40 |
| Efficacy (lm/W) | 126 |
| Max. Cd. | 1100.47 (225H, 49V) |
| IES Classification | Type VS |
| Longitudinal Classification | Very Short |

Luminaire Classification Systems (LCS)

| LCS Zone | | Lumens | %Lum |
|--------------|---------|--------------|---------------|
| FL | 0-30 | 377 | 7.5% |
| FM | 30-60 | 1,117 | 22.3% |
| FH | 60-80 | 765 | 15.3% |
| FVH | 80-90 | 147 | 2.9% |
| BL | 0-30 | 388 | 7.7% |
| BM | 30-60 | 1,171 | 23.4% |
| BH | 60-80 | 735 | 14.7% |
| BVH | 80-90 | 123 | 2.5% |
| UL | 90-100 | 72 | 1.4% |
| UH | 100-180 | 116 | 2.3% |
| Total | | 5,010 | 100.0% |
| BUG Rating | | B2-U3-G2 | |



PG-10L-KFS

Luminaire Data

| | |
|-----------------------------|---|
| Description | Parking Garage Luminaire 10L, Kelvin Field Selectable (3K) |
| Total Lumens | 9,329 |
| Input Wattage | 75 |
| Efficacy (lm/W) | 125 |
| Max. Cd. | 1987.47 (270H, 46V) |
| IES Classification | Type VS |
| Longitudinal Classification | Short |

Luminaire Classification Systems (LCS)

| LCS Zone | | Lumens | %Lum |
|--------------|---------|--------------|---------------|
| FL | 0-30 | 774 | 8.3% |
| FM | 30-60 | 2,084 | 22.3% |
| FH | 60-80 | 1,355 | 14.5% |
| FVH | 80-90 | 283 | 3.0% |
| BL | 0-30 | 773 | 8.3% |
| BM | 30-60 | 2,093 | 22.4% |
| BH | 60-80 | 1,351 | 14.5% |
| BVH | 80-90 | 280 | 3.0% |
| UL | 90-100 | 135 | 1.4% |
| UH | 100-180 | 201 | 2.2% |
| Total | | 9,329 | 100.0% |
| BUG Rating | | B3-U3-G3 | |

