

POST TOP LIGHT(MPL01)

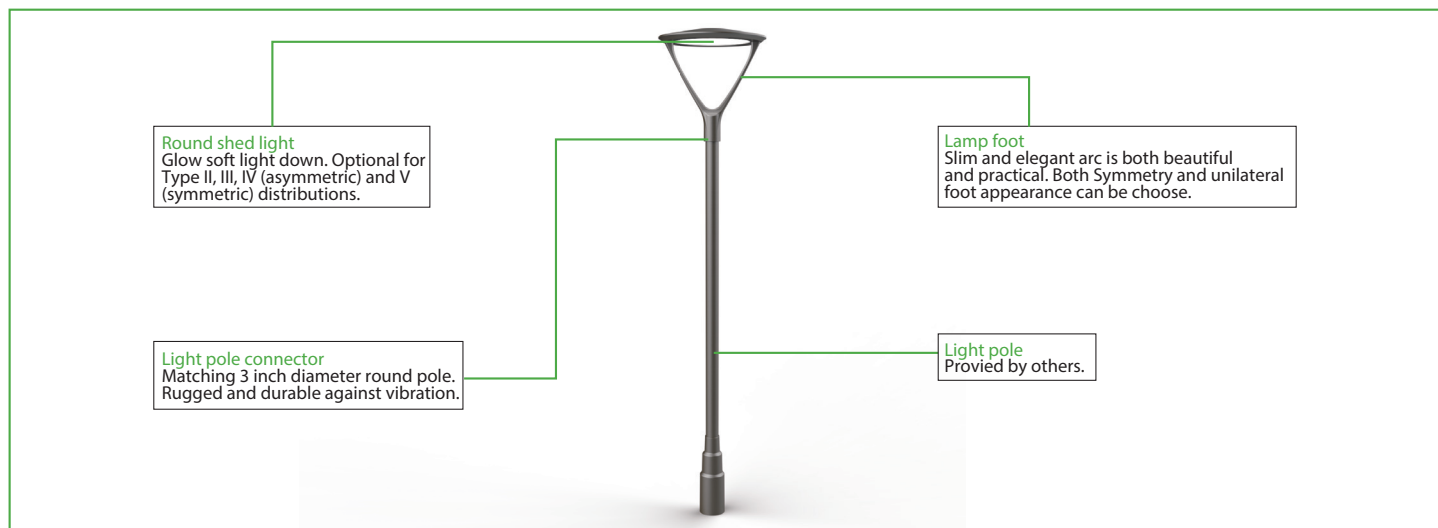


Applications:

Suitable for greenbelts, walking pathways and pedestrian plazas, as well as any other building perimeters requiring a proper light source.

Features

- Efficacy higher than 120 lm/W with zero uplight while consumes 45W, 70W, 100W.
- Durable, die-cast aluminum housing with exquisite design.
- Symmetry or unilateral foot appearance for different style choice.
- Available arm mounting applied to wall sconce.
- Type II, III, IV (asymmetric) and V (symmetric) light distributions.
- Suitable for installation heights of 8-20 feet.
- 1-10V dimming and projected over 50,000 hrs life span.
- Operating temperature is -40°C to 45°C (-40°F to 113°F).



PERFORMANCE DATA

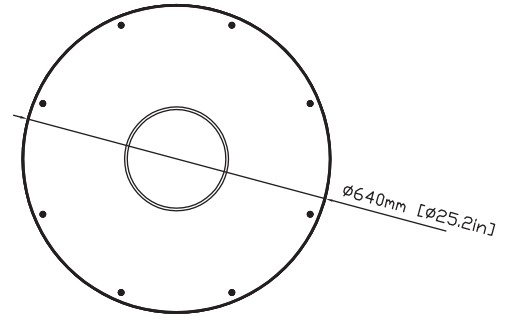
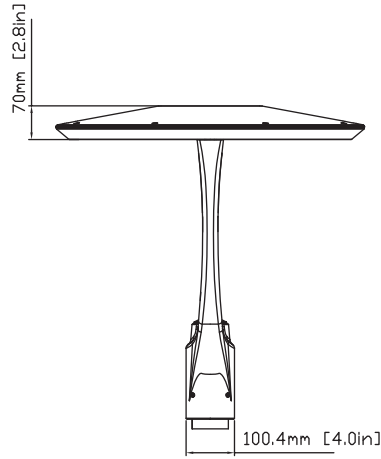
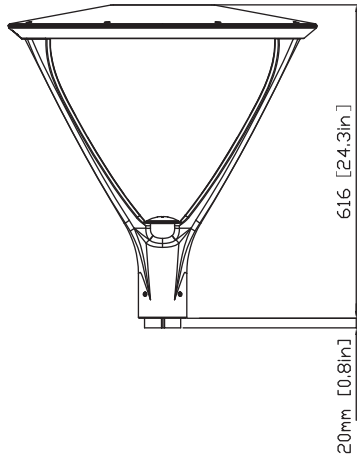
		4000K(70CRI)		5000K(70CRI)	
SYSTEM WATTS	VOLTAGE	LUMENS	LPW	LUMENS	LPW
45W	120-277VAC/347-480V	5400lm	120 lm/W	5400lm	120 lm/W
70W	120-277VAC/347-480V	8400lm	120 lm/W	8400lm	120 lm/W
100W	120-277VAC/347-480V	12000lm	120 lm/W	12000lm	120 lm/W

ELECTRICAL DATA

Number Of Drivers	Driver Current (mA)	Nominal Power (W)	INPUT VOLTAGE (V)	CURRENT (Amps)
1	1120	45	120	0.38
		45	208	0.22
		45	240	0.19
		45	277	0.16
	1200	45	347	0.13
		45	480	0.09
1	1750	70	120	0.58
		70	208	0.34
		70	240	0.29
		70	277	0.25
	1850	70	347	0.20
		70	480	0.15
1	2600	100	120	0.83
		100	208	0.48
		100	240	0.42
		100	277	0.36
		100	347	0.29
		100	480	0.21

DIMENSION

unit: inch/mm



ORDERING GUIDE Example: MPL0140W27V50KD

Fixture Type	Power Consumption	Voltage	CCT	Finish	Photocell (Option)	Sensor (Option)	Photometry	Internal Code
<input type="text"/>	<input type="text"/>	<input type="text"/>	<input type="text"/>	<input type="text"/>	<input type="text"/>	<input type="text"/>	<input type="text"/>	<input type="text"/>
MPL01 Post Top Light	45W 45Watts 70W 70Watts 100W 100Watts	27V 120-277V 48V 347-480V	40K 4000K 50K 5000K	D Dark Bronze B Black W White	P0 120-277V Photocell Blank Without Photocell	M With Sensor Blank Without Sensor	T3 TYPE III Photometry T4 TYPE IV Photometry T5 TYPE V Photometry	Blank Alphanumeric