

Project Name:	Type:
Part Number:	Date:

2" MINIFIT MODULE

SPECIFICATION FEATURES

- **Mechanical** - 2" MINIFIT module with external driver snaps into field interchangeable trims and install from below the ceiling. Trim mounted spring action clips accommodate ceiling thicknesses between 1/2" and 2".
- **Electrical** -120V, 50/60 Hz driver. Dimmable to 10% with Forward phase (TRIAC) / Reverse phase (ELV) dimmers. Plenum rated quick connect cable allows for easy wiring.
- **Optical** - 2700K, 3000K, 4000K and 5000K color temperatures available. 38° narrow beam distribution. COB technology ensures minimum 90CRI with 3-step SDCM. Open Round Flat and Round Deep Trims tilt up to 45°. Field interchangeable reflectors available with Round Deep Trims.
- **Thermal** - Extruded aluminum heat sink. Rated L70 lifetime of 50,000 hours. Ambient temperature rating: -4°F to 104°F (-20°C to 40°C).
- **Compliance and Warranty** – ETL Listed for Damp location. ETL listed for Wet location when used with Glass trims (MM2T/RFT/GL/xx). IC rated. Energy Star® listed. JA8 Certified to meet CA Title 24 requirements. 5 year parts warranty for complete fixture.



BENEFITS

- Shallow form factor for easy installation
- IC Rated and wet location listed with glass trims
- 120V dimmable down to 10%
- Multiple choice of finish and options

APPLICATIONS

- New construction and retrofit application
- Shallow plenum applications: including soffits, bulkheads, and casework
- Residential & Hospitality
- Retail & Office

ORDERING INFORMATION

Module						Trims			
Series	Size	CRI	CCT	Beam Angle	Dimming	Trim	Style	Finish	
<input checked="" type="checkbox"/> MM Mini Module	<input checked="" type="checkbox"/> 2 2" 780lm	<input checked="" type="checkbox"/> 90 CRI 90	<input type="checkbox"/> 27 2700K	<input checked="" type="checkbox"/> FL Flood 38°	<input checked="" type="checkbox"/> DIM120 120V - Line voltage dimming	<input checked="" type="checkbox"/> MM2T MM2 Trim	<input type="checkbox"/> RFT/OP Round Flat - Open	<input type="checkbox"/> WH White	
			<input type="checkbox"/> 30 3000K				<input type="checkbox"/> RFT/GL Round Flat - Glass Cover		<input type="checkbox"/> BM* Brushed Metal
			<input type="checkbox"/> 40 4000K				<input type="checkbox"/> RDT/OP Round Deep - Open		
			<input type="checkbox"/> 50 5000K				<input type="checkbox"/> RDT/PN Round Deep - Pinhole		
			<input type="checkbox"/> RDT/WW Round Deep - Wall Wash						

*Brushed Metal finish is only available for Round Flat trims.

SELECTION*

Ex: MM2-9030-FL-DIM120
MM2T-RFT/OP-BM

MM2	2	90		FL	DIM120
MM2T					

*A complete fixture consists of two items, one module and one trim, ordered separately.



2" MINIFIT MODULE

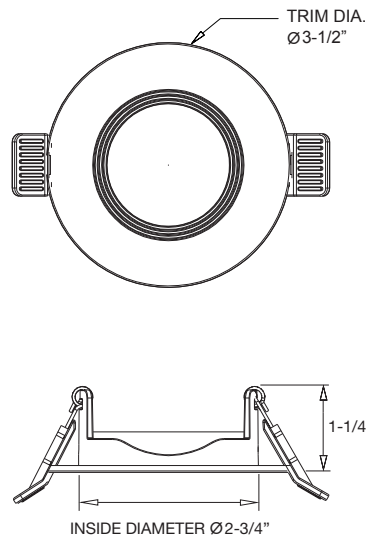
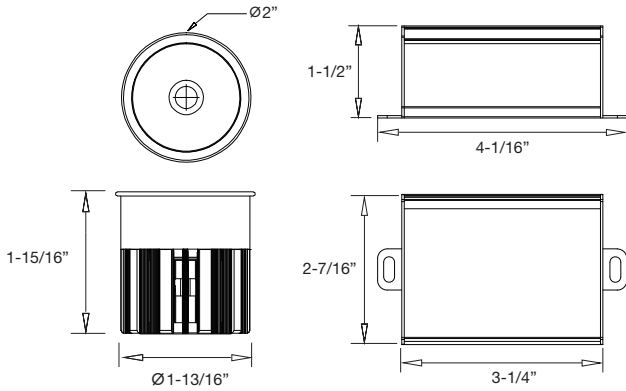
LINE DRAWINGS

MODULE

DRIVER BOX

ROUND FLAT TRIM

ROUND DEEP TRIM



Ceiling Cutout		
	Minimum	Maximum
MM2T/RFT/xx/xx	2-3/4"	3-1/4"
MM2T/RDT/xx/xx	3"	3-1/4"

TECHNICAL INFORMATION

Dimming	Input Voltage	Input Frequency	Input Current	Input Power	THD Power	Power Factor
DIM120	120V	50 / 60Hz	180mA	8W	<20%	>0.9

ACCESSORY ORDERING INFORMATION

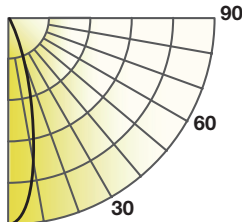
Product	Model	Description	Pictures	Dimensions
98589	MM2NCPLATE	MINIFIT 2" Module New Construction Plate for Stud / Joist mounting		



2" MINIFIT MODULE

PHOTOMETRY

MM2/930/FL/DIM120 + MM2T/RFT/OP/WH



Lumens: 718 lm
 Power: 7.1 W
 Efficacy: 102 lm/W
 CRI: 90+
 Spacing Criteria: 0.65
 Beam Angle: 39°

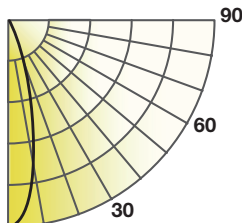
Candlepower Distribution	
Angle (°)	Average (cd)
0	1413
5	1358
15	966
25	398
35	116
45	42
55	16
65	7
75	3
85	1
90	0

Initial Footcandles		
Height (ft)	Fc	Diameter (ft)
2	350	1
4	88	3
8	22	6
10	14	7
12	10	9

Zonal Lumen Summary		
Zone	Lumens	%Fixt
0-30	578	81
0-40	657	92
0-60	707	98
0-90	718	100

Lumen Output Coefficient			
2700K	3000K	4000K	5000K
0.96	1.00	1.04	1.05

MM2/930/FL/DIM120 + MM2T/RFT/GL/WH



Lumens: 683 lm
 Power: 7.1 W
 Efficacy: 97 lm/W
 CRI: 90+
 Spacing Criteria: 0.65
 Beam Angle: 39°

Candlepower Distribution	
Angle (°)	Average (cd)
0	1344
5	1292
15	919
25	379
35	111
45	40
55	15
65	7
75	3
85	1
90	0

Initial Footcandles		
Height (ft)	Fc	Diameter (ft)
2	333	1
4	83	3
8	21	6
10	13	7
12	9	9

Zonal Lumen Summary		
Zone	Lumens	%Fixt
0-30	550	81
0-40	626	94
0-60	672	98
0-90	683	100

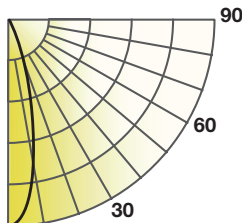
Lumen Output Coefficient			
2700K	3000K	4000K	5000K
0.96	1.00	1.04	1.05



2" MINIFIT MODULE

PHOTOMETRY

MM2/930/FL/DIM120 + MM2T/RDT/OP/WH



Lumens: 634 lm
Power: 7.1 W
Efficacy: 89 lm/W
CRI: 90+
Spacing Criteria: 0.62
Beam Angle: 47°

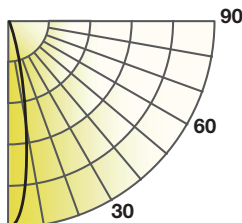
Candlepower Distribution	
Angle (°)	Average (cd)
0	1512
5	1454
15	1012
25	331
35	33
45	18
55	12
65	8
75	3
85	1
90	0

Initial Footcandles		
Height (ft)	Fc	Diameter (ft)
2	376	1
4	94	3
8	23	6
10	15	7
12	10	8

Zonal Lumen Summary		
Zone	Lumens	%Fixt
0-30	567	89
0-40	597	94
0-60	622	98
0-90	634	100

Lumen Output Coefficient			
2700K	3000K	4000K	5000K
0.96	1.00	1.04	1.05

MM2/930/FL/DIM120 + MM2T/RDT/PN/WH



Lumens: 346 lm
Power: 7.1 W
Efficacy: 49 lm/W
CRI: 90+
Spacing Criteria: 0.45
Beam Angle: 26°

Candlepower Distribution	
Angle (°)	Average (cd)
0	1363
5	1251
15	501
25	93
35	17
45	12
55	11
65	8
75	4
85	2
90	1

Initial Footcandles		
Height (ft)	Fc	Diameter (ft)
2	349	1
4	87	2
8	22	4
10	14	5
12	10	6

Zonal Lumen Summary		
Zone	Lumens	%Fixt
0-30	301	87
0-40	313	90
0-60	332	96
0-90	346	100

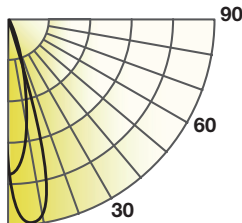
Lumen Output Coefficient			
2700K	3000K	4000K	5000K
0.96	1.00	1.04	1.05



2" MINIFIT MODULE

PHOTOMETRY

MM2/930/FL/DIM120 + MM2T/RDT/WW/WH



Lumens: 335 lm
 Power: 7.1 W
 Efficacy: 47 lm/W
 CRI: 90+
 Spacing Criteria: 0.72
 Beam Angle: 39°

Candlepower Distribution	
Angle (°)	Average (cd)
0	683
5	663
15	576
25	164
35	29
45	19
55	14
65	11
75	6
85	2
90	1

Initial Footcandles		
Height (ft)	Fc	Diameter (ft)
2	191	1
4	48	2
8	12	5
10	8	6
12	5	7

Zonal Lumen Summary		
Zone	Lumens	%Fixt
0-30	269	87
0-40	289	90
0-60	316	96
0-90	335	100

Lumen Output Coefficient			
2700K	3000K	4000K	5000K
0.96	1.00	1.04	1.05

Performance Data				
MM2/9xx/FL/DIM120 - NOMINAL				
CCT	2700K	3000K	4000K	5000K
Lumens	720	750	780	780
LPW	90	94	98	98

Trim Lumen Output Coefficient		
	MM2T/RFT/xx/xx	MM2T/RDT/xx/xx
OP	1	0.95
GL	0.95	N.A
PN	N.A	0.5
WW	N.A	0.47