

LED HIGH BAY(MHB06)



Applications:

Suitable for commercial, retail and institutional applications including gymnasiums, factories and warehouses.

Features

- Sealed die-casting profile for indoor and outdoor applications.
- Universal voltage of 120-277V&347-480V.
- 1-10V dimming standard for a dimming range of 100% to 10%.
- Best choice for replacing 250W MH and 400W MH.
- Above 80 color rendition index compared to HPS.
- Increase energy savings with bi-level motion sensor.
- Optional emergency battery to serve in accidental situation.
- Operating temperature is -40°C to 50°C (-40°F to 122°F).
- Hook mount, pendant mount and surface mount available.

67W&97W



140W



180W&215W



Housing

Die-cast aluminum housing with heat dissipating fins. Sealed design with silicone strip for use in wet locations.

Photometry

High Bay Photometry formed from high efficiency LEDs and scattering diffuser.

Installation accessory

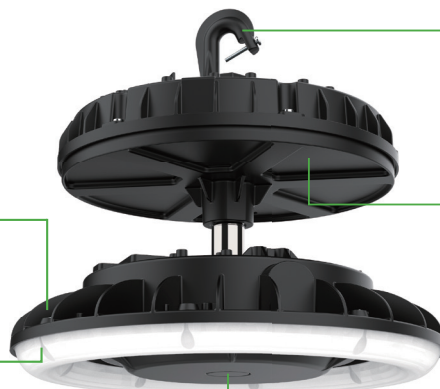
Available for both hook mounting and surface mounting with bracket(optional). Bracket allows to adjust the direction to illuminate any area you need.

Emergency battery box

Emergency battery pack would provide the necessary brightness in emergency situations. Applicable ambient temperature is 10°C (50°F) to 40°C (104°F).

Motion sensor(by 1/2 knockout)

Optional motion sensor allows for security and energy saving.



PERFORMANCE DATA

SYSTEM WATTS	PHOTOMETRY	VOLTAGE	4000K(80CRI)		5000K(80CRI)	
			LUMENS	LPW	LUMENS	LPW
67W	High Bay	120-277VAC	9100lm	136lm/W	9100lm	136lm/W
97W	High Bay	120-277VAC	12300lm	127lm/W	12300lm	127lm/W
140W	High Bay	120-277VAC/347-480V	17500lm	125lm/W	17500lm	125lm/W
180W	High Bay	120-277VAC	24500lm	136lm/W	24500lm	136lm/W
215W	High Bay	120-277VAC	30000lm	140lm/W	30000lm	140lm/W

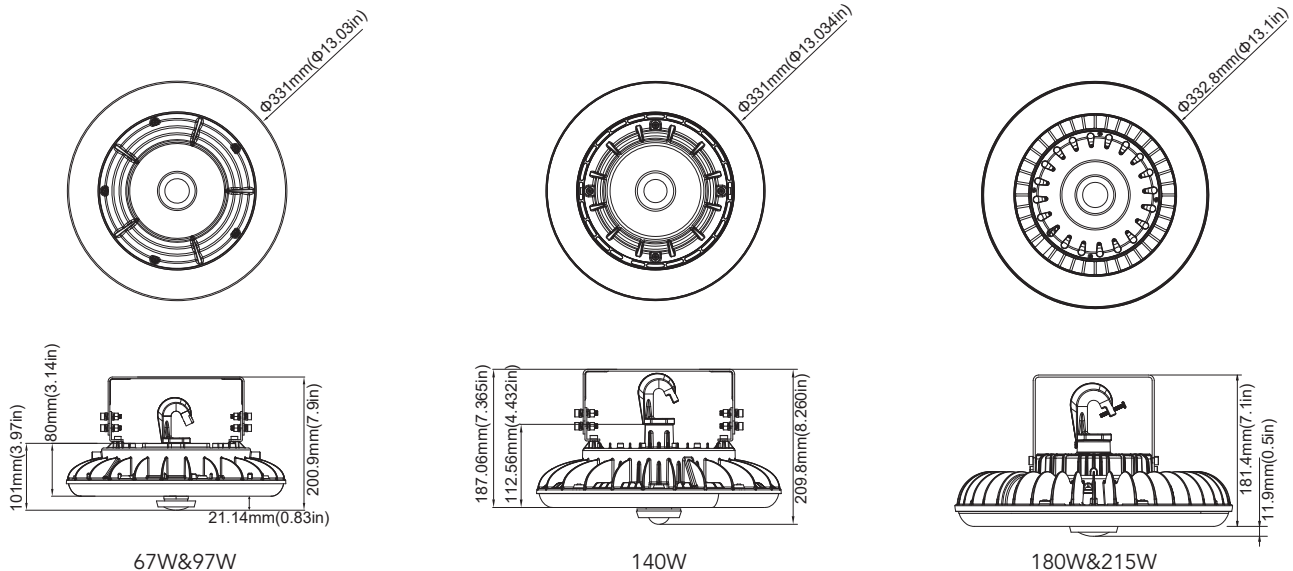
ELECTRICAL DATA

Number Of Drivers	Driver Current (mA)	Nominal Power (W)	INPUT VOLTAGE (V)	CURRENT (Amps)
1	1080	67	120	0.56
		67	208	0.32
		67	240	0.28
		67	277	0.24
1	2500	97	120	0.81
		97	208	0.47
		97	240	0.40
		97	277	0.35
2	3300	140	120	1.17
		140	208	0.67
		140	240	0.58
		140	277	0.51
	3400	140	347	0.40
		140	480	0.29
1	930	180	120	1.50
		180	208	0.87
		180	240	0.75
		180	277	0.65
1	1065	215	120	1.79
		215	208	1.03
		215	240	0.90
		215	277	0.78

DIMENSION

unit: inch/mm

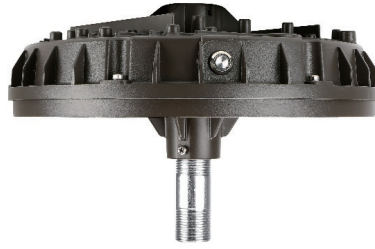
Weight:
 67W: 5.71 lbs(2.59kg) 97W: 5.95 lbs(2.7kg) 140W: 6.00 lbs(2.723kg) 180W: 6.61 lbs(3.0kg) 215W: 6.61 lbs(3.0kg)



ACCESSORIES



Motion Sensor
Integrated motion sensor available for on/off and dimming control for maximum energy savings.



Emergency Box
Emergency battery pack would provide the necessary brightness in emergency situations. Applicable ambient temperature is 10 °C (50 °F) to 40 °C (104 °F).



U-bracket
Use for surface mounting application. Available to adjust the angle of MHB06 to control the direction of irradiation. Two sizes for choosing to adapt two different struct.

PHOTOMETRICS

General

