

LED CANOPY

MCP07

Our CANOPY07, is a cost-effective, energy-saving LED light fixture for surface mount applications in commercial buildings, retail, and educational facilities. This design, though, the housing provides excellent heat dissipation which prolongs its lifespan. The precision-designed optical lens reduces glare, improves optical performance and provides comfortable lighting effects. The CANOPY07 is equipped with an external quick-mounting plate suitable for standard J-BOX mount and also compatible with 3/4" pendant mount, with 1/2" knock-out holes reserved on three sides, suitable for surface conduit wiring installation. MCP07 also has high return benefits, it supports 4 lumen package selectable (100%, 80%, 60%, 40%); and Three CCTs selectable (3000K, 4000K, 5000K).



60W



110W



SPECIFICATION FEATURES

Construction

- One-piece die-cast aluminum housing secures the thermally conductive LED panel and electrical chamber.
- Casting thermally conducts LED heat to optimize performance and long life.
- With corrosion-resistant powder coating that provides protection and architectural appearance while adapting well to the environment in the garage.

Optics

- Light engines are available in color tunable version, the CCT can be changed to 3000K/4000K/5000K.
- Scalable Lumen Packages from 3,700 to 17,000 Lumens.
- Anti-UV prismatic translucent lens is designed to shape the light distribution and uniformity.

Electrical

- Universal 120-277 or 120-347 VAC input voltage.
- Adjustable lumen output with four lumen settings 100%, 80%, 60%, 40%.
- 0-10V Dimming.
- Both drivers have a power factor >90%, THD <20%.
- Operating Temperature Range: -40°C to 40°C (-40°F - + 104°F).
Note: Operating with emergency battery temperature range: 10°C to 40°C (+50°F - + 104°F).

Controls

- Optional PIR sensor.
- Optional Emergency Battery.

Lifespan

- Estimated 50,000-hour LED lifespan based on IES LM-80 results and TM-21 calculations.

Warranty

- Five-year limited warranty.

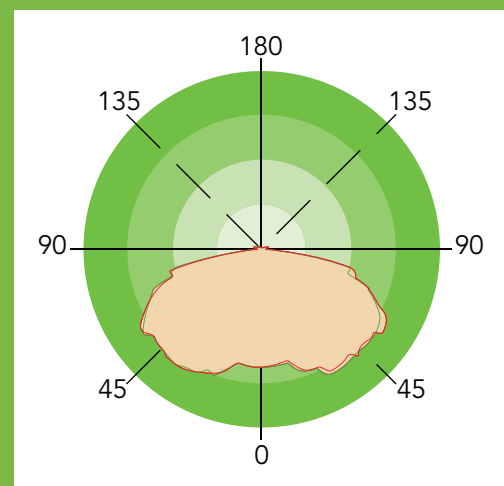
Certifications

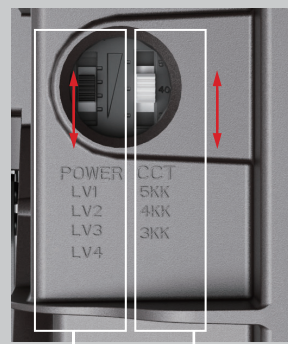
- UL cUL wet location listed.
- DesignLights Consortium™ Qualified.
Note: Please refer to the DLC website for specific product qualifications at www.designlights.org.

Note

- Actual performance may differ as a result of end-user environment and application. All values are design or typical values, measured under laboratory conditions at 25°C(±5°C) specifications subject to change without notice.

PHOTOMETRICS





CCT AND WATTAGE SELECTABLE

This fixture has the function of adjusting the lumens output and color temperature on-site.

WATTAGE SELECT

40% 60% 80% 100%

Each model supports 4 positions wattage regulation: 100%, 80%, 60%, 40%

CCT SELECT

3000K 4000K 5000K

Offer three CCT adjustable (3000K, 4000K, 5000K).

PERFORMANCE DATA

MCP0760W							
SETTING	SETTING WATTS	3000K		4000K		5000K	
		LUMENS	LPW	LUMENS	LPW	LUMENS	LPW
100%	60W	7800lm	130 lm/W	8400lm	140 lm/W	8000lm	133 lm/W
80%	46W	6500lm	141 lm/W	7000lm	152 lm/W	6600lm	143 lm/W
60%	35W	5200lm	149 lm/W	5600lm	160 lm/W	5300lm	151 lm/W
40%	24W	3700lm	154 lm/W	4000lm	167 lm/W	3800lm	158 lm/W

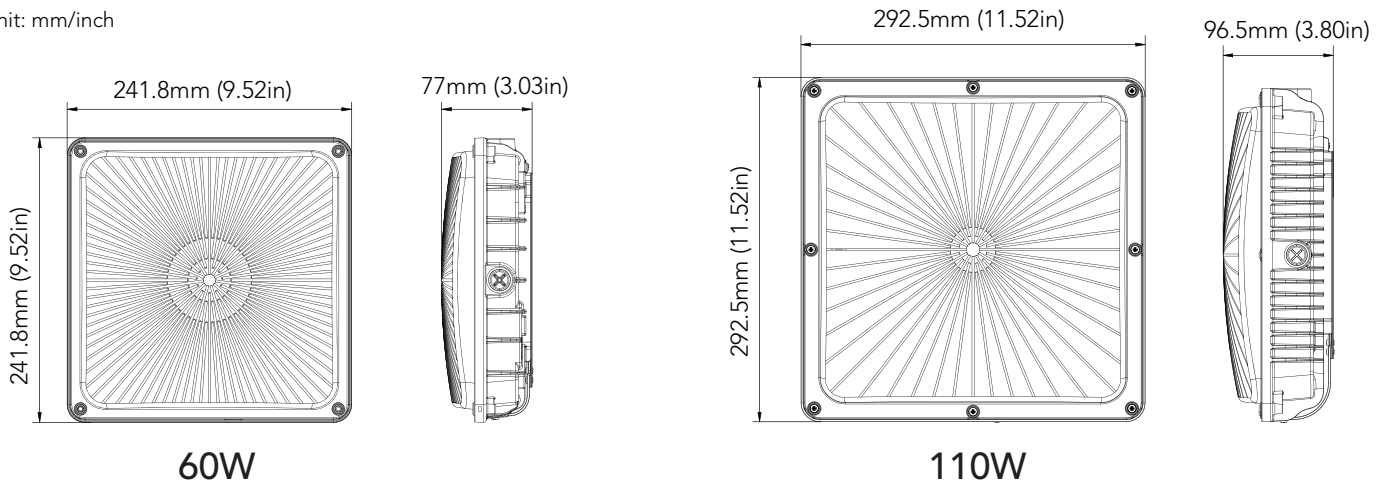
MCP07110W							
SETTING	SETTING WATTS	3000K		4000K		5000K	
		LUMENS	LPW	LUMENS	LPW	LUMENS	LPW
100%	110W	16200lm	147 lm/W	17000lm	155 lm/W	16500lm	150 lm/W
80%	88W	13200lm	150 lm/W	14000lm	159 lm/W	13500lm	153 lm/W
60%	66W	10200lm	155 lm/W	10800lm	164 lm/W	10500lm	159 lm/W
40%	44W	7000lm	159 lm/W	7400lm	168 lm/W	7200lm	164 lm/W

ELECTRICAL DATA

NUMBER OF DRIVERS	DRIVER CURRENT (mA)	NOMINAL POWER (W)	INPUT VOLTAGE (V)	CURRENT (Amps)
1	900	60	120	0.50
		60	208	0.29
		60	240	0.25
		60	277	0.22
		60	347	0.17
1	850	110	120	0.92
		110	208	0.53
		110	240	0.46
		110	277	0.40
		110	347	0.32

DIMENSION

unit: mm/inch



ACCESSORIES (Optional)

 <p>Emergency Battery Backup Description: 8W 900lm 90min</p>	 <p>PIR Sensor, 120-277V Description: External sensor can be pre-installed in factory or field installed.</p>	 <p>Microwave Sensor, 12V Description: Sensor can be built-in fixture.</p>
--	---	--

MOUNTING



ORDERING GUIDE

Example: MCP07 60W 27V DDK YYYYYY

Fixture Type	Wattage	Voltage	CCT	Finish	Photocell (Option)	Sensor (Option)	Emergency Battery (Option)	Surge Protector(Option)	CCT and Power Adjustable	Internal Code
<input type="checkbox"/>	<input type="checkbox"/>	<input type="checkbox"/>	<input type="checkbox"/>	<input type="checkbox"/>	<input type="checkbox"/>	<input type="checkbox"/>	<input type="checkbox"/>	<input type="checkbox"/>	<input type="checkbox"/>	<input type="checkbox"/>
MCP07 Canopy Series	60W 110W	27V 120-277V 34V 120-347V	DDK ¹ Adjustable color temperature	D Dark Bronze B Black W White	P With Photocell Blank Without Photocell	M With Sensor Blank Without Sensor	B ² Emergency Battery Blank Without Emergency Battery	S With Surge Protector Blank Without Surge Protector	AD ¹ With Adjustment Dial Blank Without Adjustment Dial	Blank Alphanumeric

Note: 1. CCT and power adjustable.
2. Battery only suitable for 60W@120-277V.