



CANOPY07 series is a commercial grade LED canopy luminaire that utilizes high powered LEDs with precise efficient optical control and on board wattage and lumen choices. It provides excellent uniformity, energy efficiency and control for surface mount applications. The versatile and functional features: energy-efficient LED system, rugged design, pendant or junction box mounting options, multiple lumen packages and optical distributions.

60W



80W



SPECIFICATION FEATURES

Construction

- Sealed die-casting profile for indoor and outdoor applications.
- Casting thermally conducts LED heat to optimize performance and long life.
- With corrosion-resistant powder coating that provides protection and architectural appearance while adapting well to the environment in the garage.

Optics

- Lumen output from 3500-10400lm with efficacy up to 164lm/W.
- Switchable color temperature 4000K/5000K.
- Parking Garage photometry.
- Replacing 100W MH and 175W MH.

Electrical

- Universal 120-277VAC input voltage.
 - Standard 0-10V dimming.
 - Wattage adjustable: 100%, 80%, 60%, 40%.
 - Both drivers have a power factor >90%, THD <20%.
 - Operating temperature is -40°C to 45°C (-40°F to 113°F).
- Note: Operating with emergency battery temperature range: 5°C to 45°C (+41°F - + 113°F).

Controls

- Optional Motion sensor.
- Optional Emergency Battery.

Lifespan

- Estimated 50,000-hour LED lifespan based on IES LM-80 results and TM-21 calculations.

Warranty

- Five-year limited warranty.

Certifications

- UL cUL wet location listed.
- DesignLights Consortium™ Qualified.

Note: Please refer to the DLC website for specific product qualifications at www.designlights.org.

Note

- Actual performance may differ as a result of end-user environment and application. All values are design or typical values, measured under laboratory conditions at 25°C (±5°C) specifications subject to change without notice.

Built-in Emergency Battery (Optional)

8W, 90min



Plug-and-Play Sensor (optional)

Sensor allows for security and energy saving.



Screw plug

Install in 3-Seconds

Mounting Bracket

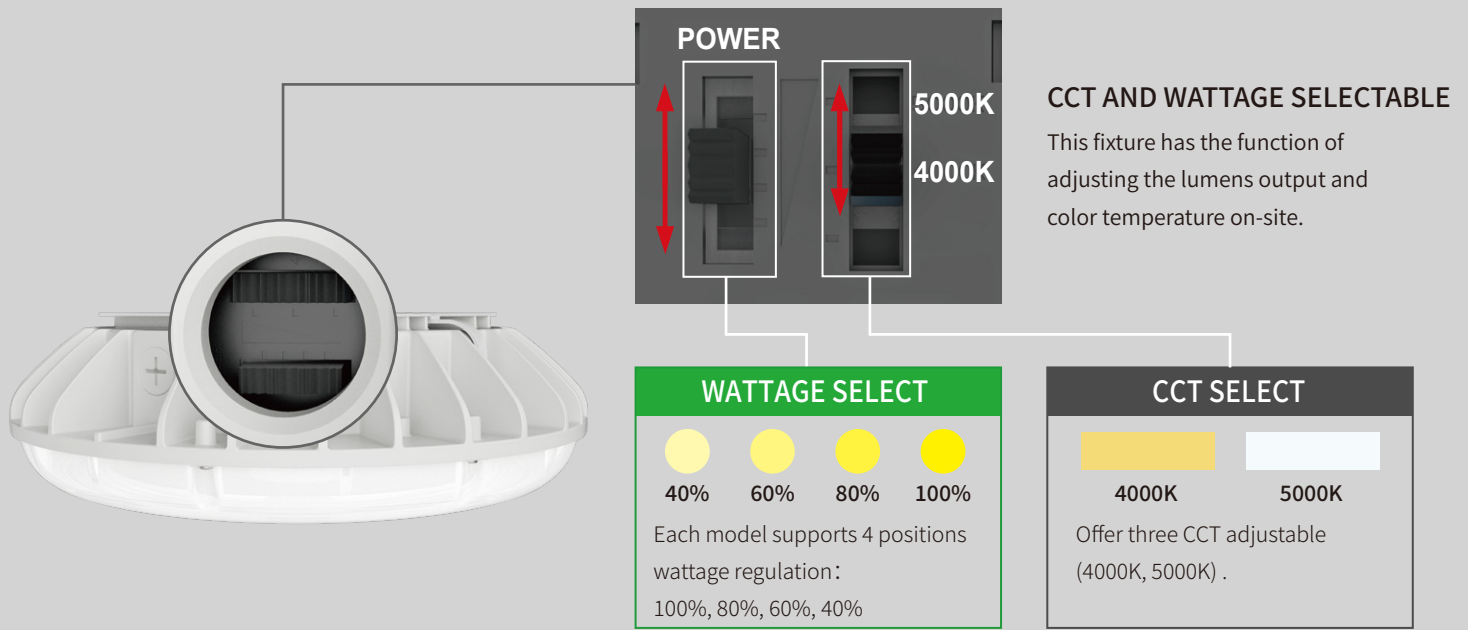
Suitable for J-BOX mounting, and easy for installation, also support pendant mounting, wires coming out from the back for easier wire connections.

Housing

One piece die cast housing better waterproofing, suitable for both indoor and outdoor application.

Photometry

Optional Parking Garage Photometry or Low Bay Photometry as per applications.



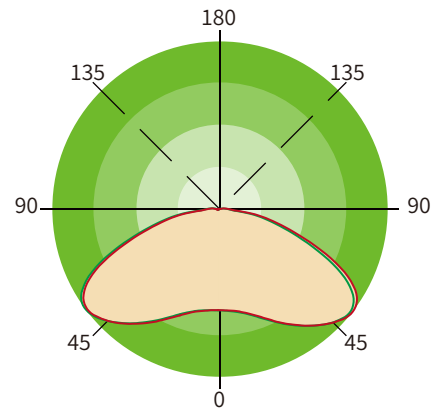
ACCESSORIES (Optional)

Built-in Emergency Battery(Optional)
8W 90min
Only suit for 60W

Plug-and-Play PIR Sensor
PIR sensor: MSANT12VPH01
Bluetooth PIR sensor: MSANT12VPHB01

Built-in Emergency Battery(Optional)
8W 90min
Only suit for 80W

PHOTOMETRICS



PERFORMANCE DATA

MCP03 60W					
SETTING	SETTING WATTS	4000K (70CRI)		5000K (70CRI)	
		LUMENS	LPW	LUMENS	LPW
100%	60W	7700lm	128lm/W	7500lm	125lm/W
80%	46W	6500lm	141lm/W	6300lm	137lm/W
60%	34W	5000lm	147lm/W	4900lm	134lm/W
40%	22W	3600lm	164lm/W	3500lm	159lm/W

MCP03 80W					
SETTING	SETTING WATTS	4000K (70CRI)		5000K (70CRI)	
		LUMENS	LPW	LUMENS	LPW
100%	80W	10400lm	130lm/W	10000lm	125lm/W
80%	64W	8510lm	133lm/W	8200lm	128lm/W
60%	48W	6580lm	137lm/W	6350lm	132lm/W
40%	32W	4480lm	140lm/W	4320lm	135lm/W

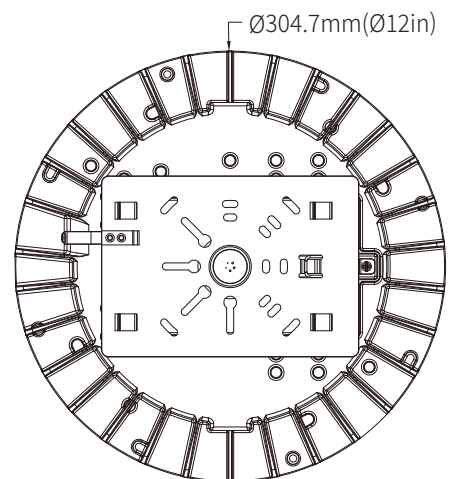
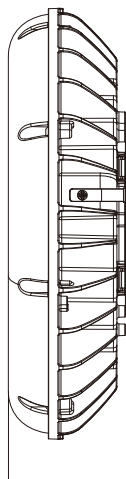
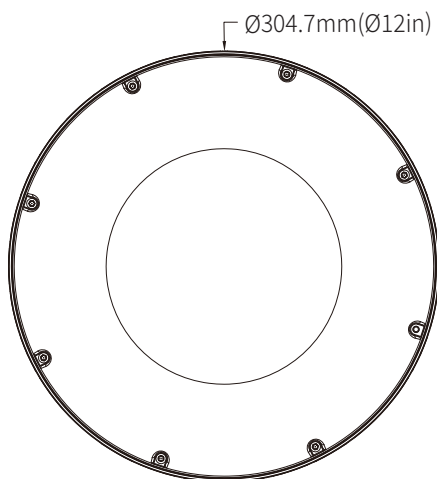
ELECTRICAL DATA

Number Of Drivers	Driver Current (mA)	Nominal Power (W)	INPUT VOLTAGE (V)	CURRENT (Amps)
1	1050	60	120	0.50
		60	208	0.29
		60	240	0.25
		60	277	0.22
1	2000	80	120	0.67
		80	208	0.38
		80	240	0.33
		80	277	0.29

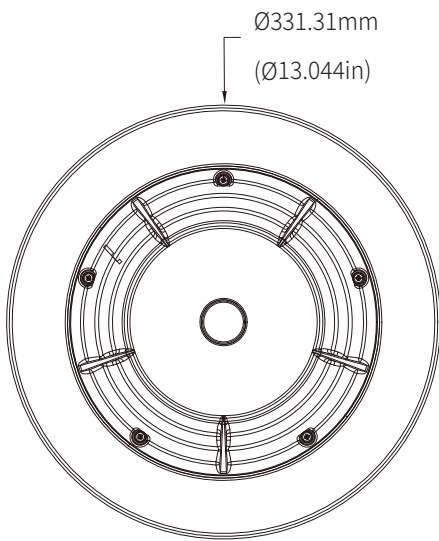
DIMENSION

unit: mm/inch

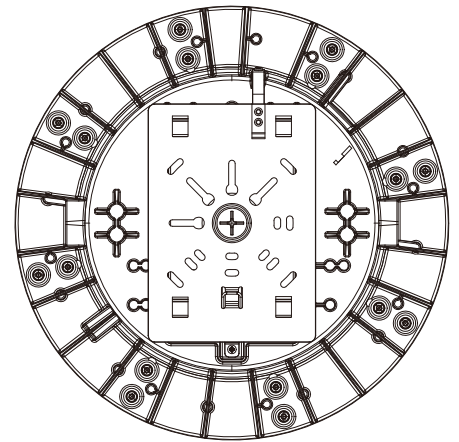
Weight:
60W: 5.73lbs



Net Weight:
80W: 6.239lbs



82.76mm(3.26in)



MOUNTING



Surface Mounted With J-Box



Conduit Pendant Mount

ORDERING GUIDE

Example: MCP0360W27VDDKYYYYPGYY

Fixture Type	Wattage	Voltage	CCT	Finish	Sensor (Option)	Emergency Battery (Option)	Photometry	CCT and Power Adjustable	Internal Code
<input type="checkbox"/>	<input type="checkbox"/>	<input type="checkbox"/>	<input type="checkbox"/>	<input type="checkbox"/>	<input type="checkbox"/>	<input type="checkbox"/>	<input type="checkbox"/>	<input type="checkbox"/>	<input type="checkbox"/>
MCP03 Canopy Series	60W 60Watts 80W 80Watts	27V 120-277V	DDK Adjustable color temperature	D Dark Bronze B Black W White	M Motion Sensor Blank Without Sensor	B With Emergency Battery Blank Without Emergency Battery	PG Parking Garage	AD With Adjustment Dial Blank Without Adjustment Dial	Blank Alphanumeric