

LWAX SERIES Outdoor Lighting

LWAX-SM-12W-30K
LWAX-SM-12W-40K
LWAX-SM-12W-50K

Customer Name: _____

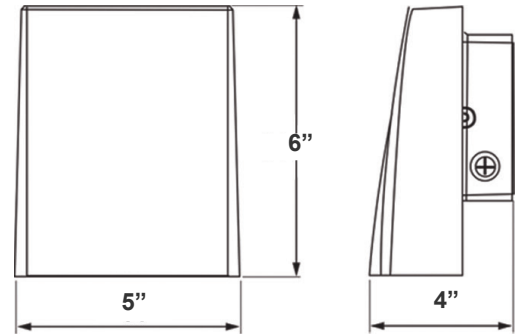
Project Name: _____

Note: _____

Type: _____



Ideal for general site lighting, alleys, loading docks, doorway, pathway, and parking areas. Great for use with motion sensors or another instant on/off controls.



5" (W) x 6" (H) x 4" (D)

Features

- High Light Transmittance, Anti-UV and Fire Resistant PC Lens
- LED Type/Brand: SMD 3030/ Philips Lumileds LEDs
- Four 1/2" Knockouts: 1 Top, 1 on Each Side, 1 Back
- Die-Cast Aluminum With Powder Coat Finish (Dark Bronze)
- 7-Year Warranty

Technical Specifications

Electrical:

- Voltage: 120-277VAC 60Hz
- Wattage: 12W
- Power Factor: >0.95
- Efficacy: 125 LPW

Mechanical:

- Die-Cast Aluminum With Powder Coat Finish
- High Light Transmittance, Anti-UV and Fire Resistant Shatterproof PC Lens
- Light Head Can Be Adjusted From 0° to 90°
- Can Be Installed Facing Up (As An Uplight)
- Full Cutoff, Dark Sky Compliant
- Four 1/2" Knockouts: 1 Top, 1 on Each Side, 1 Back
- Operating Temperature: -4°F -104°F
- Wet Location
- 7-Year Warranty
- IP65

Lighting:

- Dimming: 0~10V Dimmable
- Multi CCT and Power (Switches are inside fixture)
- LED Type/Brand: SMD 3030/ Philips Lumileds LEDs
- The Type II Distribution is Used For Wide Walkways, On Ramps and Entrance Roadways, As Well As Other Long, Narrow Lighting
- Total Lumens: 1500LM
- Color Temperatures: 3000K/ 4000K/ 5000K
- Color Rendering Index: CRI ≥ 80
- Beam angle: 80° x 100°
- Rated life: 70,000 Hrs

Applications:

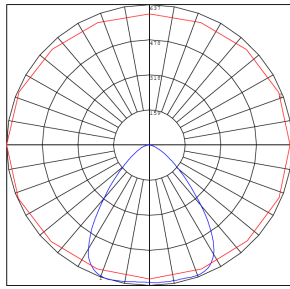
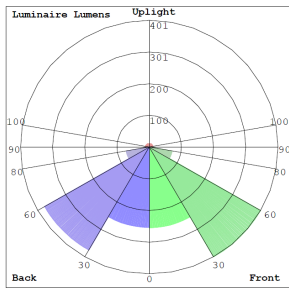
- General site Lighting
- Alleys
- Loading docks
- Doorways
- Pathways
- Parking areas

Other Models:

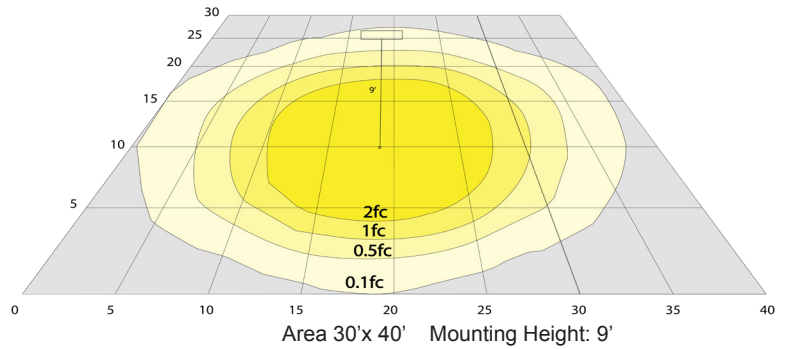
- 12W | 1500LM | LWAX-SM-12W-30K-WH
- 12W | 1500LM | LWAX-SM-12W-50K-WH
- 30W | 3900LM | LWAX-MD-30W-30K
- 30W | 3900LM | LWAX-MD-30W-40K
- 30W | 3900LM | LWAX-MD-30W-50K



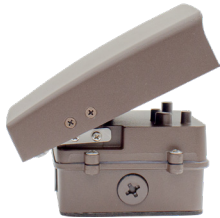
Photometrics: LWAX-SM-12W



BUD Rating: B1-U2-G0



Other Views:



Side View



Front View



Back View

Performance Table: LWAX-SM-12W

MODEL NO.	Wattage	Voltage	Lumens	Color Temp.	BUG Rating	LPW
LWAX-SM-12W-30K	12W	120~277V	1500LM	3000K	B1-U2-G0	125
LWAX-SM-12W-40K	12W	120~277V	1500LM	4000K	B1-U2-G0	125
LWAX-SM-12W-50K	12W	120~277V	1500LM	5000K	B1-U2-G0	125

Sample Ordering

Model **Size** **Wattage** **Color Temp.**
 - - -

30K = 3000K
 40K = 4000K
 50K = 5000K

Accessories:

LWA-SH1 = SHROUD

Factory-Installed Options:

Blank = No Option For Accessories
 OPT-EM-FM10D = EXTERNAL EMERGENCY BACKUP BATTERY
 OPT-SEN-3MRLV-5 = PROGRAMMABLE MICROWAVE BI-LEVEL
 OPT-CLR-85 = COLOR PAINT
 OPT-PC-B = BUTTON
 OPT-TRS-T120 = TAMPER RESISTANT SCREW
 WEC-8RC = OPTIONAL REMOTE

ACCESSORIES:



LWA-SH1

FACTORY-INSTALLED OPTIONS:



OPT-EM-FM10D

(Shown with EM/Sensor extended box, can be painted)



OPT-PC-B



OPT-SEN-3MRLV-5



WEC-8RC

Example:

- LWAX-SM-12W-50K
- LWAX-SM-12W-50K
LWA-SH1
- LWAX-SM-12W-50K
LWA-SH1
OPT-EM-FM10D

(FOR LWAX 12W 5000K FIXTURE 120-277V)

(FOR LWAX 12W 5000K FIXTURE 120-277V)
(SHROUD)

(FOR LWAX 12W 5000K FIXTURE 120-277V)
(SHROUD)
(EXTERNAL EMERGENCY BACKUP BATTERY)

