

# Installation Instructions

## Alphalite Linear LED Vapor Tight

Installation guide valid for the following models:

**LVT-4L(35/25/18S2)/8A**

**LVT-4H(64/56/46S2)/8A**



### **WARNING**

**RISK OF FIRE OR ELECTRIC SHOCK**

The LED Vapor Tight must be installed by a qualified electrician in accordance with applicable federal, state, and local laws and codes. Installation requires knowledge of luminaire electrical systems and installer should be familiar with the operation of this product. If not qualified, do not attempt installation; contact a qualified electrician. Manufacturer assumes no responsibility for the improper installation of this luminaire.

Before installing, servicing, or performing routine maintenance upon this equipment, follow these general precautions.

### **WARNING**

To prevent wiring damage or abrasion, do not expose wiring to edges of sheet metal or other sharp objects. When installing this kit, drilling may damage luminaire wiring and electrical parts. Check for wiring and components in enclosure before drilling.

Do not make or alter any open holes in an enclosure of wiring or electrical components during kit installation.

### **WARNING**

**RISK OF PERSONAL INJURY**

Wear gloves or proper handling protection to prevent cuts or abrasions when handling and maintaining this product. This equipment may have sharp edges.

### **WARNING**

**RISK OF PERSONAL INJURY, FIRE OR ELECTRIC SHOCK**

Turn OFF power before installation.

Contact manufacturer with any questions or concerns regarding installation of this luminaire.

**NOTICE:** Green ground screw provided in proper location. Do not relocate.

**NOTICE:** Minimum 90° supply conductors

**NOTICE:** Specifications and dimensions subject to change without notice.

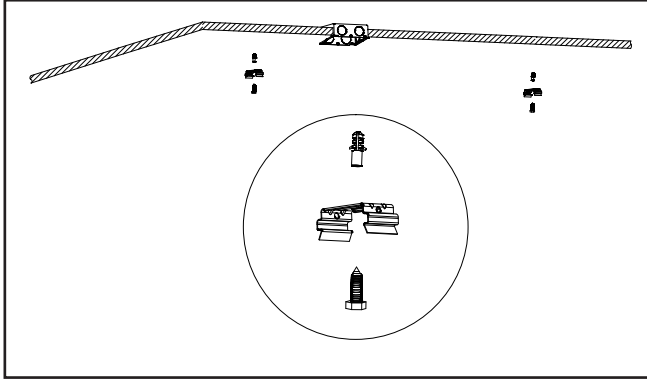
**NOTICE:** Suitable for wet location.

# Alphalite

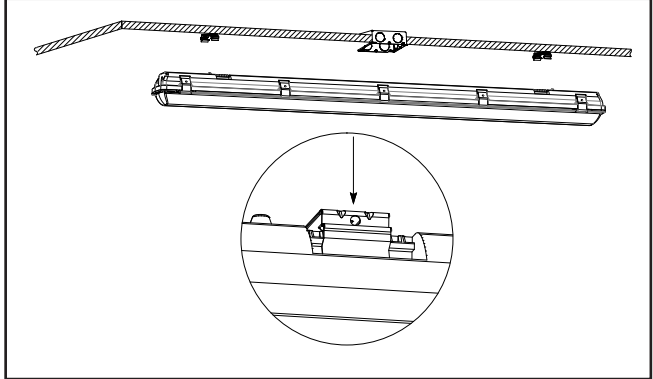
# Installation Instructions

## Surface Mounting

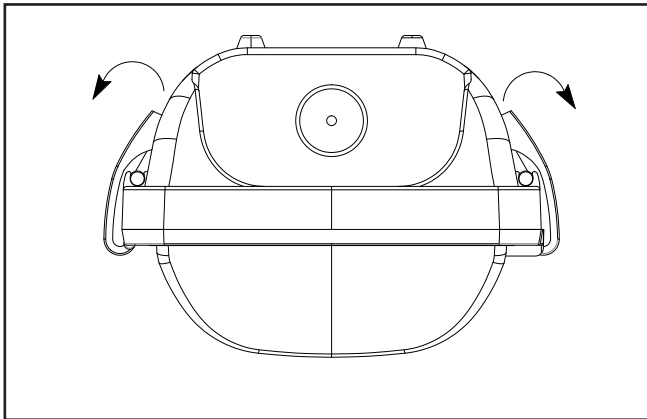
1. Locate drill holes for mounting brackets. Use hardware found in hardware kit. Mount bracket to surface.



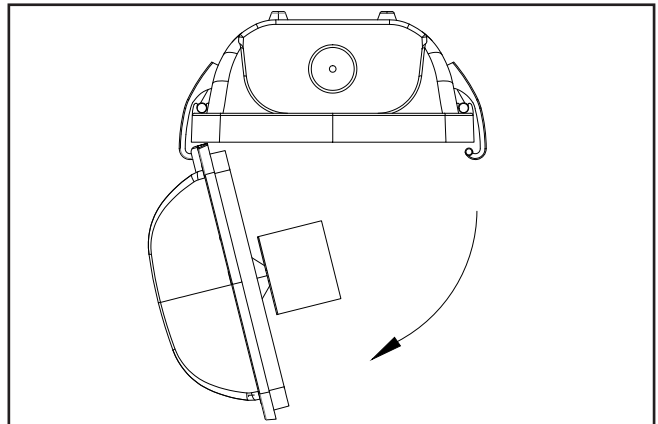
2. Secure mounting clips to housing recesses by firmly pressing them into place until both sides of the clip are secured.



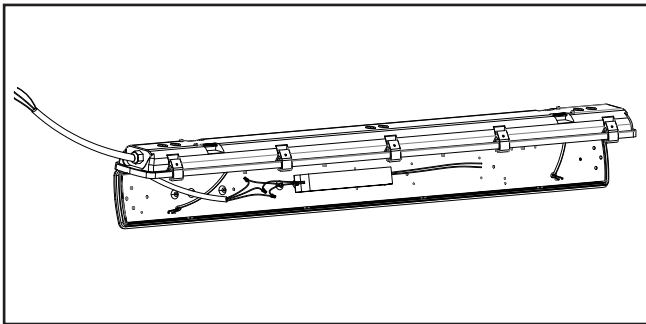
3. Release latches by pulling top of latch away from housing.



4. Without touching LED boards, detach LED tray and lens from fixture.



5. Connect power to driver as shown in the figure.  
(the flexible cord supplied by others)

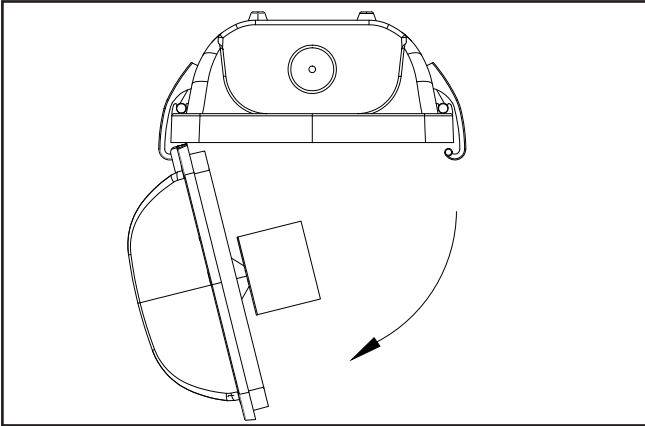


# Alphalite

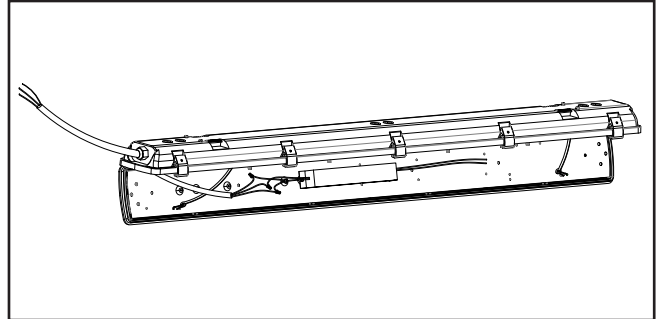
# Installation Instructions

## Surface Mounting

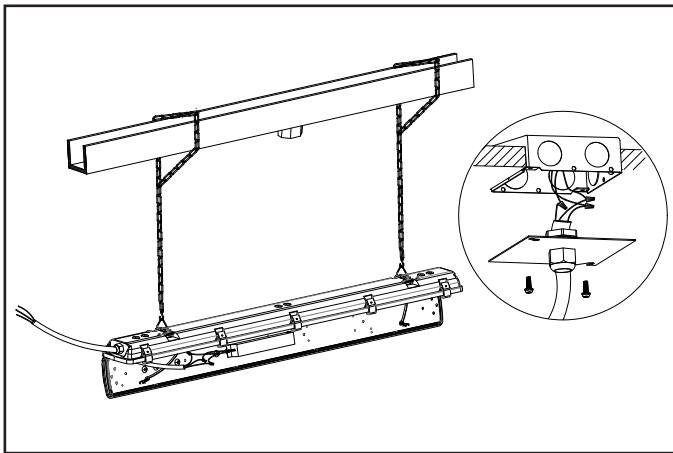
5. Without touching LED boards, detach LED tray and lens from fixture.



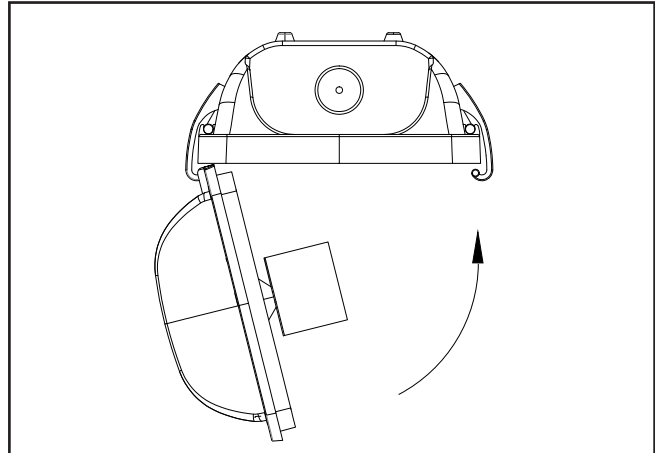
6. Connect power to driver as shown in the figure.  
(the flexible cord supplied by others)



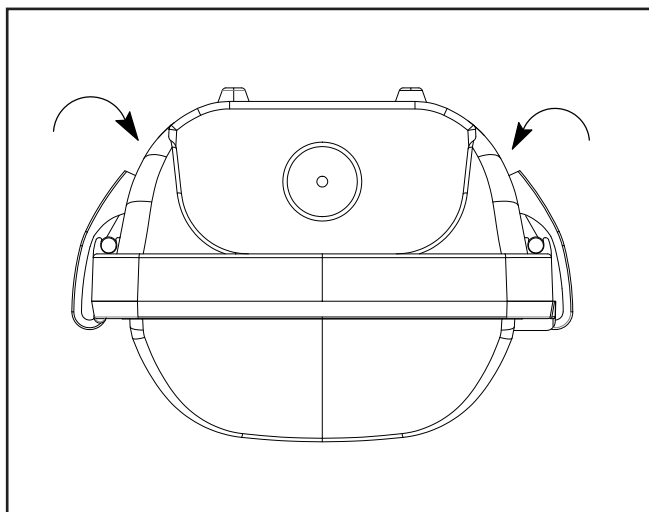
7. Follow general wiring Diagram on Figure for reference.  
Make sure the power supply is disconnected before installing.



8. Reattach LED tray and lens to fixture by reversing step 5.



9. Secure lens to housing with lens latches.



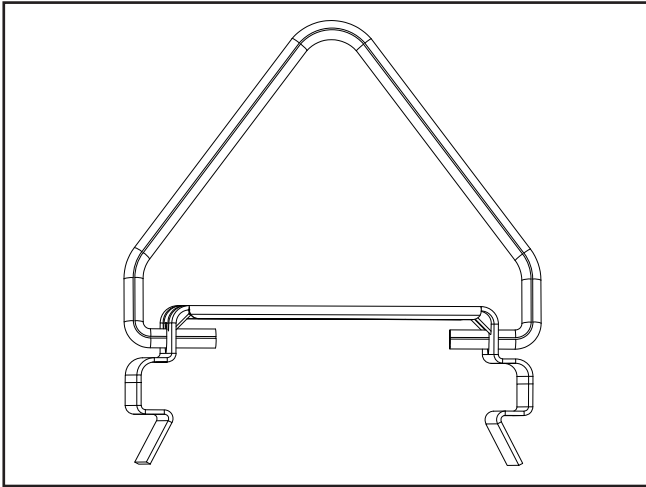
# Alphalite

# Installation Instructions

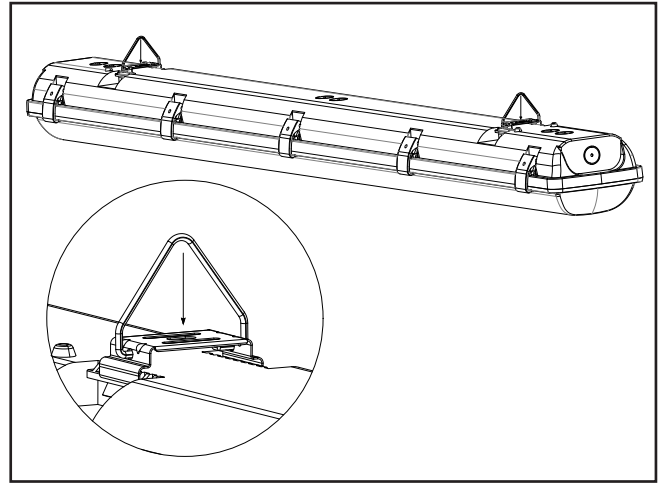
## Chain Suspended Mounting

### B: Chain Suspended Mounting

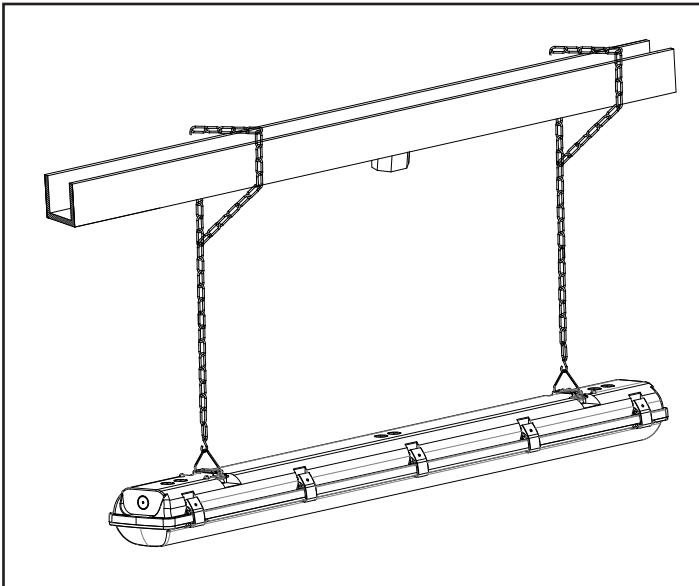
1. Attach V-bracket to each mounting clip by spreading the ends of the V-bracket apart and then inserting the legs into the holes in the side of the mounting clips.



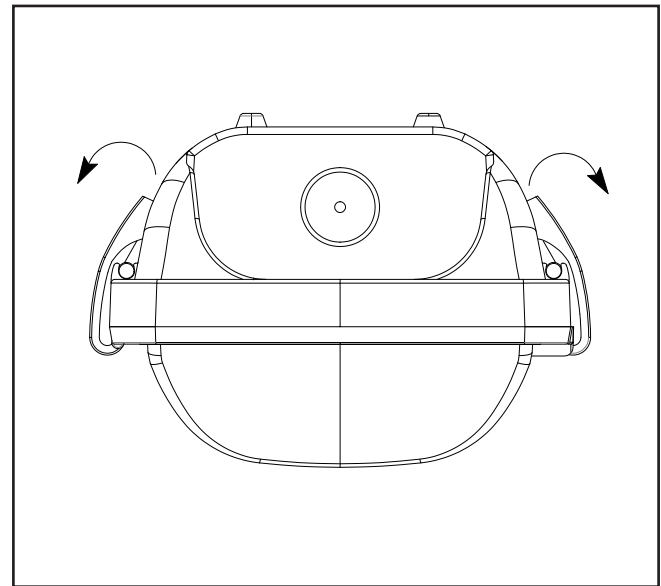
2. Secure mounting clips to housing recesses by firmly pressing them into place until both sides of the clip are secured. Hang fixture from customer supplied chain using V-brackets.



3. Hang fixture from customer supplied chain using V-brackets.



4. Release latches by pulling top of latch away from housing.

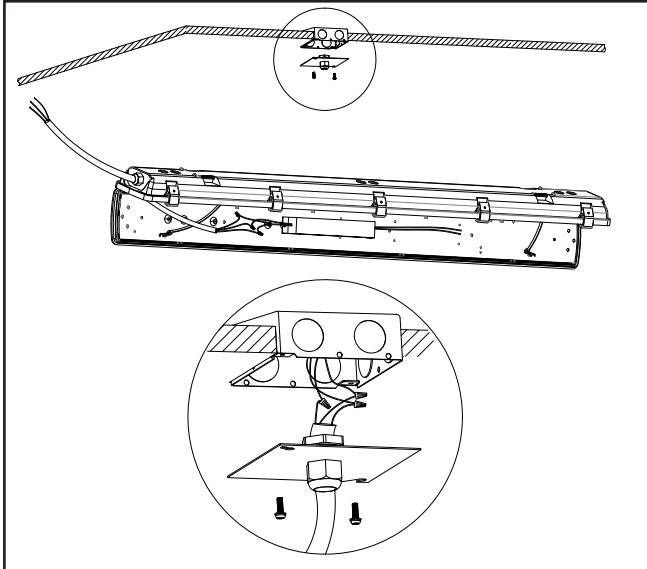


# Alphalite

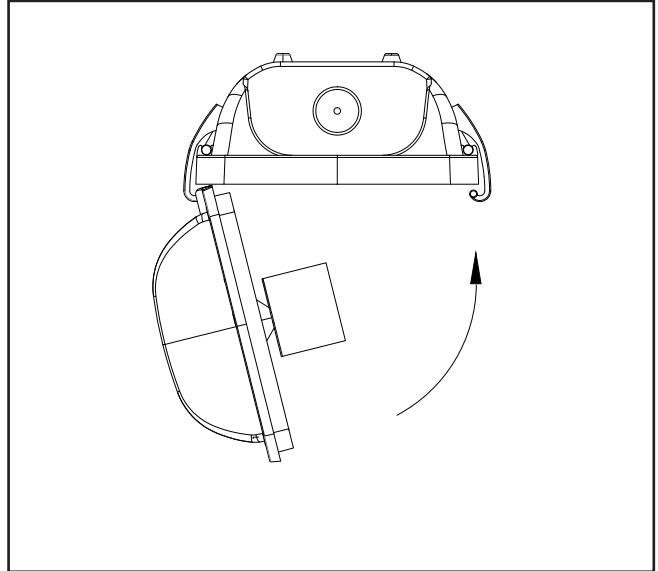
# Installation Instructions

## Pendant mount

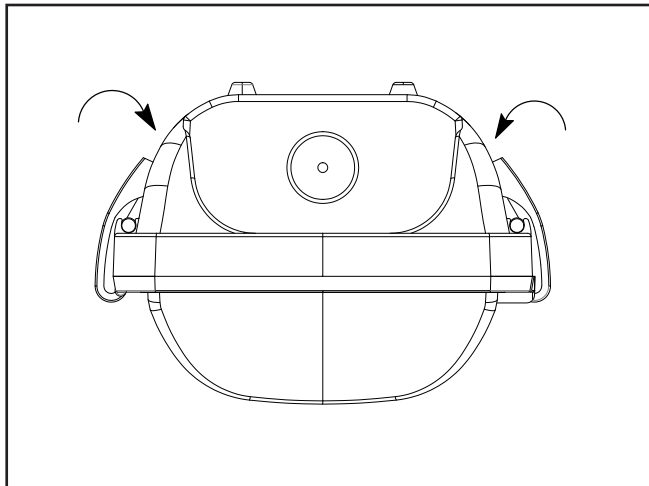
6. Follow general wiring Diagram on Figure for reference. Make sure the power supply is disconnected before installing.



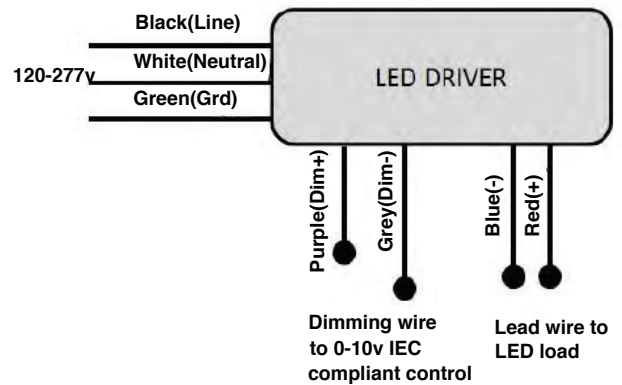
7. Reattach LED tray and lens to fixture by reversing step 4.



8. Secure lens to housing with lens latches.



### Wiring Diagram:

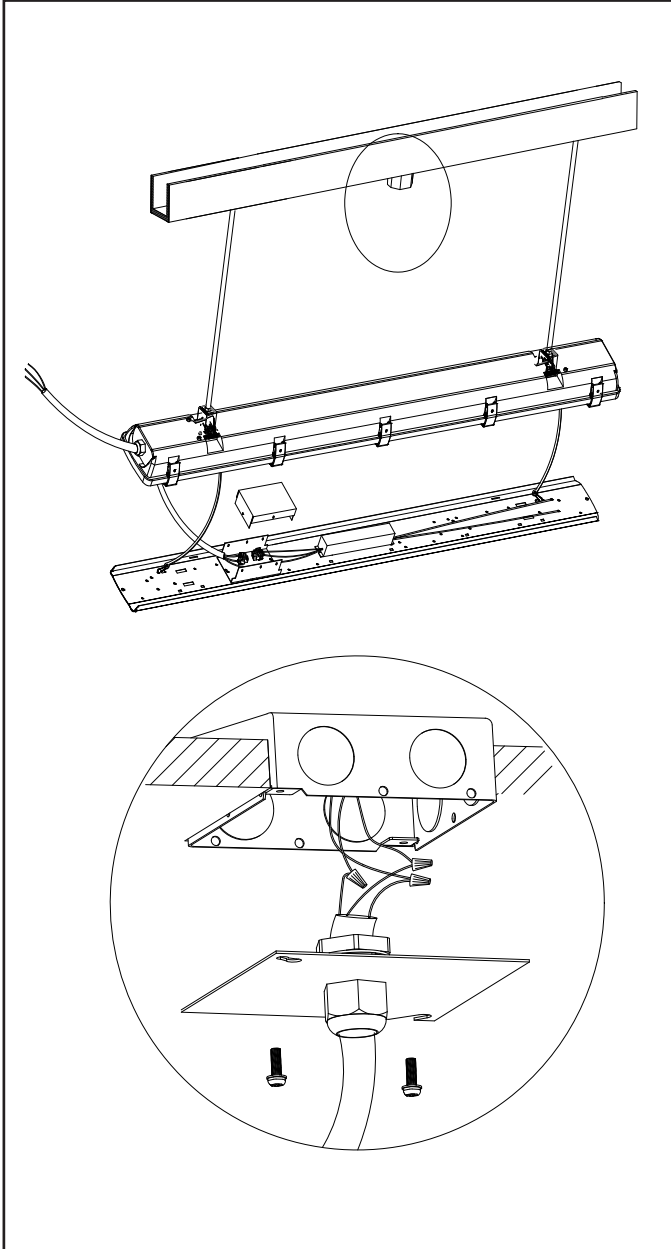


# Alphalite

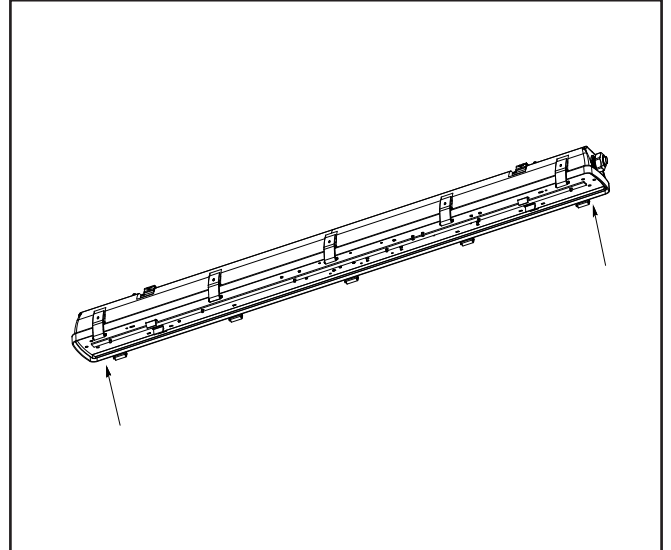
# Installation Instructions

## Pendant mount

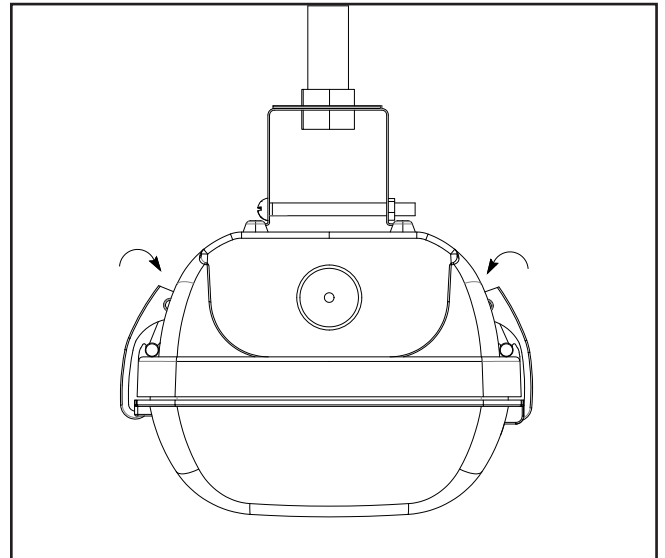
9. Follow general wiring Diagram on Figure for reference.  
Make sure the power supply is disconnected before installing.



10. Reattach LED tray to fixture by reversing step 5.



11. Secure lens to housing with lens latches.



# Alphalite