



PROJECT NAME: _____ CAT. #: _____
 NOTES: _____ FIXTURE SCHEDULE: _____

LSV 8ft LED Vapor Tight Series Wattage and Color Selectable

Product Description:

The new LSV 8ft LED Vapor Tight Fixture is wattage and CCT selectable offering 9 different combinations in one product. The product is keeps out water and dust with its IP65 rating making it ideal for car wash operations, parking garage lighting and stairwell lighting. Other applications include utility lighting, low bay lighting, airports, tunnels, and maintenance areas.

Features:

- CCT and Wattage selectable
- 0-10V dimming standard
- CRI>80
- Universal voltage 120-277V
- L70 lumen maintenance of 100,000 hours
- Operating temperature: -40°F to +104°F, except fixtures with EM option
- Default setting for WCS models is set to lower wattage and 4000K
- Optional motion sensor available
- Fixture may be surface (accessories sold separately)



Ordering Information

FAMILY	SIZE	VOLTAGE	WATTAGE (NOMINAL)	CCT SELECT	BATTERY BACKUP OPTIONS	SENSOR
LSV= Vapor Tight Linear Series	8= 8FT	U= 120-277V	65W= 65/75/90W	CS= Color Selectable (3500K/4000K/5000K)	[BLANK]= None EM= Emergency Back-up	[BLANK]= None MS= Motion Sensor

Stocked Items

ORDER CODE	MODEL NUMBER	DLC PRODUCT ID #	DLC CATEGORY
105687	LSV8U65WCS	PAROYIDO, PZVHG7BM, PSUPRPLZ	Direct Linear Ambient Luminaires, Stairwell and Passageway Luminaires, High-Bay Luminaires for Commercial and Industrial Buildings



10-year standard warranty with labor allowance* (further details available at www.maxlite.com/warranties)

*Warranty Limitations: Product must be rated for the application per the Product Data Sheet (PDS); operated ≤16 hrs/day; in ambient of -4°F to 77°F. *Up to \$25/unit; labor allowances of up to \$500/unit available for purchase – contact MaxLite representative for details.

LSV 8ft LED Vapor Tight Series Wattage and Color Selectable

Accessories (SOLD SEPARATELY)

ORDER CODE	MODEL NUMBER	DESCRIPTION	IMAGE
74139	MLCHKLSV15	Cable Kit 15' Loop X Toggle Y 1 Pair	
104799	RMRC-100	Remote Control	

Specifications

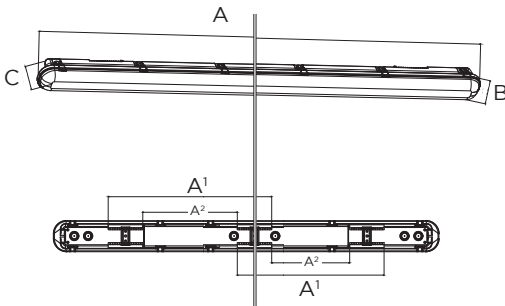
	LSV8U65WCS		
Power Consumption	65W	75W	90W
Lumens Delivered	8450 lm	9750 lm	11700 lm
Efficacy	130 lm/w	130 lm/w	130 lm/w
CRI	>=80		
Color Temperature (K)	3500K, 4000K, 5000K		
L70 Lumen maintenance	>=100,000 hours		
Power Factor	>=0.9		
Input Voltage	120-277V		
Operating Temperature	-40°F to +104°F (-40°C to +40°C)		
Qualifications	DLC Premium, cULus listed, FCC, Rohs Complaint, ETL Sanitation Listed		
Environment	UL listed for Wet location		
Warranty	10 Years warranty		

See page 1 footer

Sensor

SENSOR	TECHNOLOGY	DIMMING	DAYLIGHT HARVESTING	REMOTE CONTROL	QR CODE
MS	Microwave, Photoelectric	Bi-Level	Set Point	Yes	

Dimensions



PRODUCT	A (L)	A ¹	A ²	B (W)	C (H)
LSV8U65WCS	94.4"	42.9"	35.0"	3.54"	3.22"

Product includes 3 mounting clips. A1 and A2 represents spacing range between the clips.